

诚信铸就品质

创新引领未来



## 磁芯目录

# 桐乡·重庆耀润



# 目录:

1、EE (EF) 型.....	3-13
2、EB(EDR) 型.....	14-16
3、EC (EER) 型.....	17-20
4、ECO 型.....	21
5、ED (EED) 型.....	22-25
6、EFD 型.....	26-28
7、EI 型.....	29
8、EM 型.....	30-31
9、EPC 型.....	32-34
10、EQ 型.....	35-39
11、PQ 型.....	40-44
12、PTS 型.....	45-46
13、RM 型.....	47-48
14、UU (UF) 型.....	49-50
15、UI 型.....	51
16、EP 型.....	52
17、ATQ 型.....	53-55

18、UT (FT SQ) 型.....	56-57
19、ET (SQE) 型.....	58
20、EV 型.....	59
21、EVD 型.....	60-61
22、Y 型.....	62
23、EU 型.....	63
24、ERP (LP、ECW) 型.....	64-65
25、URS 型.....	66
26、I 型.....	67-70
27、EW 型.....	71
28、QPI 型.....	72
29、EPI 型.....	72
30、ECY 型.....	73
31、T 型.....	75-78
32、无线充电磁块.....	79-105
32、耀润材料.....	106-142

## EE&EF 型磁芯 (CORE EE&EF TYPE)

用途：高频功率变压器、扼流圈、电子变压器、电子镇流器

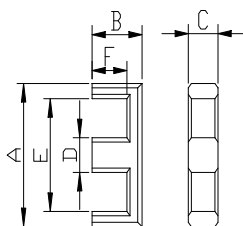


FIG1

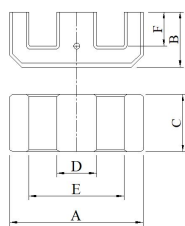
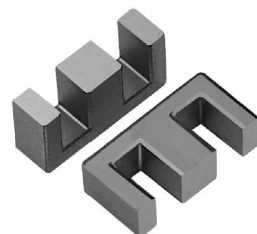


FIG2



规格	尺寸 (mm)						有效磁路参数					AL±25% (nH/N <sup>2</sup> )		
	A	B	C	D	E (min)	F	C1 (mm <sup>-1</sup> )	Ae (mm <sup>2</sup> )	Le (mm)	Ve (mm <sup>3</sup> )	Weight (g)	YR28	YR48	YR98
EE6.5/3-M	6.7±0.3	3.35±0.1	3.0±0.15	1.3±0.15	5.1min	2.6±0.15	4.17	4.0	16.6	66.5	0.35	300	360	400
EE8.3/4	8.4±0.4	4.4±0.2	3.9±0.2	2.1 <sup>+0</sup> <sub>-0.3</sub>	6.3min	3.4±0.2	3.0	7.0	21.1	148.7	0.92	650	650	800
EE8.3/6	8.5±0.4	4.75±0.2	5.9±0.2	1.9±0.2	6.5min	3.5±0.15	2.0	10.7	21.6	232	1.52	1000	1050	1200
EE8.3B/4	8.3±0.3	4.4±0.2	3.9±0.2	2.1±0.2	6.0min	3.4±0.2	2.64	7.93	21.0	166.5	0.90	750	800	1200
EE8.4C	8.4±0.30	2.05±0.2	3.95±0.15/-0.10	1.80±0.10	6.40±0.15	1.05±0.2	1.519	7.84	11.9	93.31	0.82	800	850	1200
EE8.8/4-M	8.7±0.4	4.3±0.2	3.9±0.2	2.1±0.2	6.3min	3.2±0.2	2.56	8.21	21.1	173.2	1.2	750	800	1200
EE9.0/5	8.9±0.25	3.9±0.15	4.6±0.15	2.6±0.15	6.5±0.25	2.8±0.15	1.64	11.31	18.58	210.12	1.3	1000	1050	1200
EE9.8/5	9.8±0.4	4.2±0.2	4.6±0.2	2.4±0.2	7.0min	3.0±0.2	1.91	10.88	20.8	226.3	1.23	1050	1080	1300
EE9.8A/5	10.1±0.4	4.5±0.2	4.65±0.2	2.6±0.2	7.5min	3.3±0.2	1.9	11.33	21.14	235.27	1.94	1050	1080	1300

规格	尺寸 (mm)						有效磁路参数					AL±25% (nH/N <sup>2</sup> )		
	A	B	C	D	E (min)	F	C1 (mm <sup>-1</sup> )	Ae (mm <sup>2</sup> )	Le (mm)	Ve (mm <sup>3</sup> )	Weight (g)	YR28	YR48	YR98
EE10/9.4/3	10±0.15	4.7±0.1	3±0.12	3.2±0.1	6.7min	3.1±0.1	2.22	9.49	21.8	200.09	0.6	780	860	1250
EE10.6/5	10.6±0.4	5.6±0.2	4.85±0.2	2.5±0.2	7.5min	4.5±0.2	2.18	12.4	27.1	337.2	2.0	850	950	1200
EE10.6B/5	10.6± 0.4	5.9± 0.15	5.25± 0.15	2.7±0.2	7.5min	4.4±0.2	1.98	13.7	27.2	373.7	2.2	900	1000	1250
EE10.4B/10	10.4±0.4	5.65±0.2	9.8±0.25	2.4±0.2	7.5min	4.45±0.2	1.1	23.8	24.5	632	3.7	1600	1650	2000
E10.4/9.6	10.4±0.4	5.7±0.2	9.6±0.25	2.3±0.2	7.7min	4.5±0.2	1.2	22.8	27.4	625	3.6	1500	1600	1900
E10.3/9.6	10.3±0.4	5.75±0.2	9.6±0.25	2.0±0.2	7.5min	4.55±0.2	1.33	20.8	27.7	575.7	3.3	1500	1600	1900
EE10.8/5	10.8±0.4	5.6±0.2	4.85±0.2	2.5±0.2	8.0min	4.5±0.2	2.35	11.1	27.6	306.4	1.9	900	1000	1250
GDE10.2/5	10.2±0.4	5.6±0.2	4.8±0.2	2.5±0.2	7.5min	4.4±0.2	2.25	11.7	26.3	307	2.02	YR46/ 1400	YR56/ 2000	YR66/ 2600
EE11A/5	11.6±0.4	5.7±0.2	4.8±0.2	2.5±0.2	8.5min	4.4±0.2	2.3	12.2	28.1	342.2	2.2	900	950	1200
EE11A/5-L	11.6±0.4	4.65±0.2	4.8±0.2	2.5±0.2	8.5min	3.35±0.2	1.95	12.2	23.8	291	1.7	1000	1050	1300
EE11/7	12.1±0.3	6.1±0.2	7.7±0.3	2.6±0.2	8.8min	4.6±0.2	1.36	21.6	29.4	635	3.66	1400	1450	1800
EE11B/10	11.0±0.3	5.6±0.2	9.7±0.25	2.5±0.2	8.5min	4.5±0.2	1.26	22.0	27.8	611.8	3.6	1600	1650	2000
GDEE11E	11.2±0.2	6.15±0.15	3.1±0.3	2.3±0.1	7.8±0.2	4.05± 0.15	2.8	9.14	25.6	234.03	1.58	YR46 600	YR56 850	YR66 1200
GDEE12	11.9± 0.4	6.5± 0.3	3.7± 0.2	2.5± 0.2	8.6min	4.9± 0.3	3.19	9.25	29.55	352.3	2.6	YR46 1200	YR56 1400	YR66 2880 min
EE12.1	12.1±0.3	6.35±0.15	4.9±0.15	2.5± 0.15	9.3MIN	4.65± 0.15	2.13	13.44	28.7	285.4	2.5	1350	1400	1750
E12/11/7	12.1±0.3	5.8± 0.2	6.9± 0.25	2.7± 0.2	8.8min	4.2± 0.2	1.43	19.5	27.8	544.5	3.6	1200	1300	1550

规格	尺寸 (mm)						有效磁路参数					AL±25% (nH/N <sup>2</sup> )		
	A	B	C	D	E (min)	F	C1 (mm <sup>-1</sup> )	Ae (mm <sup>2</sup> )	Le (mm)	Ve (mm <sup>3</sup> )	Weight (g)	YR28	YR48	YR98
EE12.9/5.0	12.9±0.4	4.6±0.2	5.0±0.2	2.3±0.2	9.1min	2.75±0.2	1.5	14.91	22.4	334.5	1.9	1100	1200	1600
GDEE12.9/3.6	12.9±0.4	7.7±0.2	3.6±0.3	2.7±0.2	10.1min	6.0+0.2/-0.1	3.57	10.1	36	363.6	2.0	YR46/ 1200	YR56/ 1400	YR66/ 1750
EE13/6	13.0±0.4	6.2±0.2	5.9±0.25	2.7±0.2	10.0min	4.8±0.2	1.95	16.0	31.1	498	2.82	1000	1050	1300
EE13.5/6 (13-LS)	13.5±0.4	6.3±0.2	5.8±0.2	2.7±0.2	10.3min	4.9±0.2	1.96	16.2	31.8	516.6	3.0	1000	1050	1300
E13.6/6	13.6±0.4	6.3±0.2	6.0±0.2	2.7±0.2	10.3min	5.0±0.2	2.0	16.0	32.1	514	3.0	1000	1050	1300
EE13/6.15	13.0±0.4	6.2±0.2	6.15±0.2	2.8±0.2	9.9min	4.8±0.2	1.80	17.2	31.0	533.2	3.03	1100	1200	1600
GDE13/6	13.1±0.4	6.3±0.2	5.9±0.25	2.7±0.2	10.0min	4.9±0.2	1.81	17.2	31.4	541	3.3	YR46/ 1700	YR56/ 1950	YR66/ 2100
EE13L/6	13.0±0.4	5.0±0.2	5.9±0.2	2.7±0.2	9.8min	3.6±0.2	1.59	16.5	26.3	434	2.5	1250	1300	1800
E13G/6	13.1±0.4	6.75±0.2	5.8±0.2	2.7±0.2	10.0min	5.4±0.2	2.19	15.3	33.5	514	2.9	980	1030	1280
EE13C/10	13.0±0.4	6.2±0.2	9.9±0.25	2.7±0.2	9.9min	4.8±0.2	1.1	28.4	31.3	889	5.0	1900	1980	2500
EE13B/10	13.0±0.4	6.5±0.2	9.8±0.25	3.5±0.25	8.9min	4.8±0.2	0.85	35.1	29.9	1050	6.0	2200	2300	2870
EE13.3A/10	13.3±0.4	7.0±0.2	9.9±0.25	3.6±0.2	9.9 min	5.0±0.2	0.93	34.6	32.1	1109.9	6.5	2100	2200	2750
EE13.5/5	13.5±0.4	5.7±0.2	5.5±0.15	2.9±0.15	9.7±0.4	3.7±0.2	1.095	23.03	25.22	580.6	3.2	1000	1100	1400
EE13.7/10	13.7±0.4	6.6±0.2	9.8±0.25	3.6±0.2	10.4min	4.9±0.2	1.03	30.71	31.65	972	6.3	2000	2100	2600

规格	尺寸 (mm)						有效磁路参数					AL±25% (nH/N <sup>2</sup> )		
	A	B	C	D	E (min)	F	Cl (mm <sup>-1</sup> )	Ae (mm <sup>2</sup> )	Le (mm)	Ve (mm <sup>3</sup> )	Weight (g)	YR28	YR48	YR98
EE13.8/10	13.8±0.4	6.65±0.2	9.8±0.25	3.5±0.2	9.5min	4.9±0.2	0.89	35.4	31.6	1121.5	6.6	2000	2100	2600
EE14/7	14.0±0.4	4.4±0.15	7.15±0.2	3.4±0.15	10.3 min	3.0±0.15	1.06	22.7	24.1	547.1	3.36	1900	1980	2500
EE14C/3.6	14.1±0.3	6.8±0.2	3.6±0.2	3.5±0.2	10.2min	4.8±0.2	2.41	12.96	31.33	406.1	2.45	800	850	1200
EE14A-10	14.3±0.4	7.4±0.25	9.7±0.3	3.5±0.25	11.0min	5.7±0.25	1.143	31.19	35.64	1111.5	6.6	1700	1800	2300
EE14.2	14.2±0.4	6.7±0.2	9.75±0.2	3.5±0.15	10.3MIN	5.05±0.2	0.977	33.5	32.72	1096	6.05	2000	2100	2600
EE14.5/5 (E14B)	14.4±0.4	6.0±0.2	5.4±0.2	3.9±0.15	10.0 min	4.1±0.2	1.39	20.9	29.0	606.3	3.57	1400	1450	1800
EE14E-6.3	14.4±0.4	4.4±0.15	6.3±0.2	3.4±0.15	11.0 min	3.0±0.15	1.13	20.66	23.36	482.45	3.2	1650	1700	2200
EE14F-9.9-6.4	14.2±0.4	4.95±0.2	6.4±0.25	3.55±0.2	10.1min	3.15±0.2	1.09	23.13	25.22	583.23	4	1650	1700	2200
EE14.5B/7	14.5±0.4	5.3±0.3	7.0±0.2	3.6±0.2	11.0min	3.7±0.2	1.20	22.9	27.6	632	3.91	1600	1670	2080
E14/9	14.0±0.5	5.3±0.2	9.0±0.3	3.3±0.2	10.5 min	3.5±0.25	0.87	30.6	26.8	820	4.3	2400	2500	3130
EE14D	14.1±0.3	6.8±0.1	3.6±0.2	3.5±0.2	10.2min	4.9±0.15	2.51	12.9	32.40	417.9	2.4	800	850	1050
EE15/11.4/11.7	15±0.4	5.7±0.15	11.7+0.1/ -0.25	3.5±0.15	11.5min	4.0±0.15	0.75	39.1	29.38	1148.8	7.2	2300	2500	3100
EE16/5	16.0±0.4	7.4±0.2	4.8±0.2	4.0±0.2	11.6min	5.45±0.2	1.87	19.3	36.0	696.5	3.76	1050	1100	1500
EE16C/5	16.1±0.4	7.5±0.2	4.8±0.2	4.0±0.2	11.8min	5.6±0.2	1.95	18.7	36.6	686.9		1100	1200	1600
GDEE16/5	16.1±0.5	7.5±0.2	4.9±0.2	4.0±0.2	11.6min	5.45±0.2	1.85	19.6	36.3	700.6	4.1	YR46/ 1650	YR56/2 000	YR66/ 2300
GDEE16/20/4.7	16.2± 0.25	10.2±0.15	4.7+0.1/ -0.2	4.7+0.1/ -0.2	11.3+0.4/ -0	7.8±0.15	2.08	21.87	45.49	994.8	6.7	YR46/ 1700	YR56/2 000	YR66/ 3700
EE16/6.5	16.0±0.4	7.5±0.2	6.5±0.25	4.0±0.2	11.6min	5.4±0.2	1.38	26.1	36.0	943.2	5.3	1450	1500	1900
EE16/8	16.0±0.4	7.5±0.2	7.8±0.25	4.0±0.2	11.6min	5.4±0.2	1.15	31.4	36.1	1132	6.5	1700	1780	2200
EE16/10	16.0±0.4	7.5±0.2	10.0±0.3	4.0±0.2	11.6min	5.4±0.2	0.89	40.2	36.0	1451	8.15	2200	2300	2870
EE16F	16±0.3	7.2±0.2	6.8±0.2	3.2±0.2	12.5min	5.5±0.15	1.65	22.2	36.76	816.07	4.9	1000	1050	1200
E16.2/12/10	16.2±0.4	6.0±0.2	10.0±0.3	4.0±0.2	12.3min	4.0±0.2	0.79	38.6	30.6	1181.2	6.5	2600	2700	3400

规格	尺寸 (mm)						有效磁路参数					AL±25% (nH/N <sup>2</sup> )		
	A	B	C	D	E (min)	F	C1 (mm <sup>-1</sup> )	Ae (mm <sup>2</sup> )	Le (mm)	Ve (mm <sup>3</sup> )	Weight (g)	YR28	YR48	YR98
EE16.2/10	16.2±0.4	7.65±0.2	10.0±0.3	4.0±0.2	12.3min	5.65±0.2	0.98	38.0	37.2	1413.6	7.75	2200	2300	2870
EE16.2A-10	16.25±0.33	8.0±0.13	10.41±0.2	3.05±0.2	9.5min	4.82±0.15	0.704	43.9	30.95	1360.2	11	YR46/ 6000 min	YR56/ 8000 min	YR66/ 10000 min
EE16B/7	16.2±0.4	6.1±0.2	7.0±0.25	4.45±0.2	11.6min	4.10±0.2	1.02	29.6	30.3	896.88	4.9	1800	1900	2350
EE16.4	16.4±0.4	7.85±0.2	7.2±0.15	4.25±0.12	12.2±0.4	5.75±0.2	1.237	30.36	37.57	1140.6	6.5	1800	1900	2350
EE16.4A-10.6-8	16.2±0.4	5.2±0.15	8.9±0.2	4.2±0.2	11.9min	3.15±0.15	0.75	36.18	27.08	979.94	6.2	1900	2000	2600
EE16.5/5	16.5±0.4	7.65±0.2	4.9±0.2	4.0±0.2	12.0min	5.35±0.2	1.79	20.4	36.5	746	4.2	1200	1300	1800
EE16.5B/9	16.5±0.4	6.5±0.2	9.0±0.3	3.0±0.2	9.7min	4.2±0.2	0.8	35.6	28.6	1018.2	6.2	2600	2700	3700
EE17/5 (E17X)	16.9±0.4	7.7±0.2	4.8±0.2	3.9±0.2	12.5min	5.6±0.2	2.01	18.8	37.7	708	4.1	1100	1200	1600
E17/8	16.9±0.4	7.7±0.2	7.9±0.2	3.9±0.2	12.5min	5.6±0.2	1.16	31.5	36.6	1152.9	6.5	1900	1980	2400
E17A/6	17.6±0.4	7.8±0.2	6.1±0.2	5.4±0.2	13.4min	5.7±0.2	1.4	26.6	37.4	994.7	5.9	1400	1450	1800
EE17B/6	16.9±0.4	6.3±0.2	5.9±0.2	4.8±0.2	11.8min	4.2±0.2	1.18	26.4	31.3	826.3	4.64	1800	1880	2350
EE17D/13/10	16.9±0.4	6.6±0.2	9.85±0.2	4.1±0.15	12.6min	4.55±0.2	0.834	40.06	33.4	1337.8	8	2100	2200	3100
EE17F/12/8	17.0±0.4	5.85±0.2	8.0±0.2	4.6±0.2	12.4min	3.7±0.15	0.856	34.8	29.8	1037.2	6.1	2300	2400	3000
EE17.1/12.6	17.1±0.4	8.0±0.2	12.6±0.2	4.0±0.2	12.5min	5.9±0.2	0.735	52.92	38.9	2058.6	11.7	2400	2500	3200
EE17.5/10	17.5±0.4	7.6±0.2	10.0±0.3	4.0±0.2	13.1min	5.6±0.2	0.95	40	38.2	1527.4	8.46	2200	2300	2700
EE17.5B/7	17.4±0.3	7.5±0.2	6.8±0.2	4.0±0.2	13.1min	5.5±0.2	1.4	27.0	37.7	1018	5.8	1500	1600	1900
EE17.5B/10	17.4±0.3	7.5±0.2	10.0±0.3	4.0±0.2	13.1min	5.5±0.2	0.95	39.7	37.8	1500.7	8.45	2200	2300	2870
EE17.5/6/7.5 FIG2	17.5±0.3	6.4±0.1	7.5±0.15	5.2±0.13	12.2min	4.0±0.15	0.831	38.23	30.704	1173.8	6.8	2100	2200	2600
EE17.5C/8	17.6±0.3	6.7±0.2	8.2±0.15	4.7±0.2	12.8min	4.6±0.2	0.96	35.4	34.098	1207.1	7.4	1900	1980	2400
EE18/12/7.4	18.3±0.4	6.2±0.2	7.4±0.3	5.5±0.2	12.3min	3.7±0.20	0.748	39.36	29.43	1158.4	5.4	2300	2400	3300

规格	尺寸 (mm)						有效磁路参数					AL±25% (nH/N <sup>2</sup> )		
	A	B	C	D	E (min)	F	C1 (mm <sup>-1</sup> )	Ae (mm <sup>2</sup> )	Le (mm)	Ve (mm <sup>3</sup> )	Weight (g)	YR28	YR48	YR98
EE19/5	19.1±0.4	8.1±0.2	4.9±0.2	4.5±0.2	14.0min	5.8±0.2	1.79	22.5	40.3	908.2	4.8	1100	1100	1500
EE19B/5	19.1±0.4	7.3±0.2	5.1±0.2	5.4±0.2	13.4min	4.8±0.2	1.33	26.8	35.6	954	5.5	1600	1670	2080
GDEE19/5	19.1±0.4	8.15± 0.25	4.9±0.2	4.5±0.2	14.0min	5.7±0.25	1.76	22.8	40.2	916.56	5.1	YR46/ 1900	YR56/2 400	YR66/ 2700
EE19/6.5	19.1±0.4	8.1±0.2	6.5±0.2	4.5±0.2	14.0min	5.8±0.2	1.35	29.9	40.3	1205	6.7	1500	1600	1900
EE19/10	19.1±0.4	8.1±0.2	9.6±0.3	4.5±0.2	14.0min	5.8±0.2	0.91	44.1	40.3	1779.3	9.8	2350	2450	3100
EE19.2/10	19.±0.4	8.1±0.2	9.6±0.3	4.7±0.2	14.3min	5.8±0.2	0.91	44.1	40.4	1783	9.86	2350	2400	3050
EE19/13	19.1±0.4	8.1±0.2	13.0±0.3	4.5±0.2	14.0min	5.8±0.2	0.67	59.8	40.3	2410	13.1	2900	3100	3800
EE19/13L	19.1±0.4	6.0±0.2	13.0±0.3	4.5±0.2	13.8min	3.5±0.2	0.50	62.2	31.3	1949	10.8	4000	4170	5200
EE19.3/16/ 5	19.3±0.4	8.15± 0.2	4.9±0.2	4.7±0.2	14.1 min	5.8±0.2	1.79	22.69	40.59	920.93	5.45	1200	1250	1700
E19/9.0	19.4±0.4	8.3±0.2	8.7±0.3	5.7±0.2	14.8min	6.1±0.2	1.03	39.36	40.5	1594	9.14	2100	2200	2750
EE19.8/14. 3/12	19.8±0.35	7.35± 0.15	12.0± 0.25	5.75± 0.15	13.8min	4.35± 0.15	0.507	68.2	34.6	2360	14	4600	4800	6000
EE19.9/16. 6/10	19.9±0.44	8.3± 0.25	10.1± 0.25	5.05±0.2	14.4min	5.7±0.25	0.789	51.5	40.64	2093.3 8	12	2300	2400	3300
EE20.5/7	20.5±0.4	9.6±0.25	6.65±0.25	5.0±0.2	14.7min	7.0±0.25	1.34	34.4	46.3	1592	8.6	1450	1500	1900
EE20/9.6	20.0±0.4	8.0±0.2	9.6±0.3	4.55±0.2	15.4min	5.7±0.20	0.97	42.2	41.0	1730.2	10.0	2300	2400	3000
EE20B/16	20.0±0.4	7.35±0.2	16.0±0.3	5.7±0.2	14.2min	4.35±0.2	0.39	90.2	35.2	3174	18.9	5000	5200	6500



规格	尺寸 (mm)						有效磁路参数					AL±25% (nH/N <sup>2</sup> )		
	A	B	C	D	E (min)	F	C1 (mm <sup>-1</sup> )	Ae (mm <sup>2</sup> )	Le (mm)	Ve (mm <sup>3</sup> )	Weight (g)	YR28	YR48	YR98
EE20.3	20.3±0.35	8.1±0.2	4.9±0.2	4.9±0.2	15.0min	5.8±0.2	1.75	23.47	41.13	965.25	5.5	1200	1300	1560
EE21/7	21.1±0.4	10.3±0.25	6.65±0.25	4.8±0.2	14.5min	6.9±0.25	1.24	37.5	46.6	1747.5	4.95	1700	1780	2200
EE22A/6	22.0±0.5	9.3±0.25	6.0 <sup>+0</sup> <sub>-0.5</sub>	6.0 <sup>+0</sup> <sub>-0.5</sub>	15.5min	5.7±0.25	1.18	36.0	43.0	1565	8.8	1600	1680	2070
EE22B/6	21.5±0.4	9.3±0.2	5.8±0.2	6.0±0.2	15.1min	6.0±0.2	1.92	49.96	95.93	4972.5	8.2	2700	2800	3500
EE22/9	22.5±0.5	9.5±0.2	8.7±0.25	5.7±0.25	16.5min	5.7±0.2	0.83	54.3	44.8	2433	13.8	2600	2700	3500
EE22.5A/12.5	22.5±0.4	9.0±0.2	12.5±0.2	6.2±0.2	16.1 min	5.8±0.2	0.56	77.48	43.29	3354.42	19	3400	3500	4400
EE22.5B/16/12.5	22.5±0.4	8.3±0.2	12.5±0.2	6.2±0.2	16.1 min	5.4±0.2	0.55	74.8	41.2	3083.4	17	3100	3200	4300
EE23B/17	23.4+0.45/-0.4	8.5±0.2	8.2±0.2	7.2±0.2	17.5 min	5.0±0.2	0.753	54.9	41.3	2269.7	13	2300	2400	3000
EE23/19	23±0.4	9.6±0.2	8.8±0.2	5.66±0.2	17.6min	6.25±0.2	0.92	50.29	46.26	2326.45	13.6	2600	2700	3500
EE24A-10	24.125±0.5	10.54 ±0.125	9.02±0.2	4.85±0.2	13.0min	5.21±0.17	0.61	63.22	38.58	2439.07	20.2	YR46/ 7000 min	YR56/ 8000 min	YR66/ 10000 min
EE24/18	24.4±0.4	8.9±0.20	13±0.20	6.3+0.1/-0.2	17.7min	5.8±0.20	0.56	78.9	44.6	3522.4	21	4000	4300	5300
EE25.4/6	25.4±0.5	10.0±0.2	6.4±0.25	6.4±0.25	18.6min	6.9±0.2	1.25	40.4	50.7	2070	10.8	1600	1680	2070
EE25.4/7	25.4±0.5	10.1±0.2	6.9±0.25	6.4±0.25	18.6min	7.0±0.2	1.18	43	50.7	2180.1	11.71	1800	1880	2350
GDEE25.4/6-M	25.4±0.5	10.0±0.2	6.4±0.25	6.4±0.25	18.6min	6.9±0.2	1.19	40.4	50.7	2070	10.9	YR46/ 3000	YR56/3 550	YR66/ 4500
EE26.5/12	26.3±0.5	10.7±0.2	11.65±0.15	8.35±0.15	18.5±0.5	6.8±0.2	0.536	47.775	92.86	4622.1	26.2	4200	4300	5400
E26.6/8.1	26.6±0.5	11.5±0.2	8.1±0.25	8.0±0.2	19.2min	7.2±0.2	0.837	63	52.7	3322	19.5	3100	3250	4050

规格	尺寸 (mm)						有效磁路参数					AL±25% (nH/N <sup>2</sup> )		
	A	B	C	D	E (min)	F	C1 (mm <sup>-1</sup> )	Ae (mm <sup>2</sup> )	Le (mm)	Ve (mm <sup>3</sup> )	Weight (g)	YR28	YR48	YR98
EE28/11	28.2±0.6	10.6±0.25	11.0+0/-0.5	7.4±0.25	20.0min	6.5±0.25	0.62	83.2	51.5	4281.3	23.0	3300	3500	4300
EE28C/10.5	28.2±0.6	10.1±0.25	10.5±0.3	7.1±0.25	20.8min	6.6±0.25	0.70	73.5	51.6	3792.6	22.0	3500	3750	4700
EE30A/10	30.7±0.6	13.4 ± 0.25	10.7±0.3	10.4±0.3	20.8min	8.4±0.25	0.56	106.8	59.9	6397	36.0	3600	3760	4700
EE30B/10	30.0± 0.6	13.5 ± 0.25	10.6±0.3	10.6±0.3	19.8min	8.6± 0.25	0.57	104.5	59.8	6248.4	35.3	3500	3750	4700
EE31/11	31.4± 0.5	13.8±0.2	10.8 ± 0.25	10.4±0.25	22.8min	8.8±0.2	0.62	100.3	62.5	6273.3	36.1	3150	3300	4100
EE32/9	32.4±0.6	16.2±0.25	9.1±0.3	9.2±0.25	23.0min	11.8±0.25	0.9	83.2	75.2	6260	32.4	2400	2500	3100
EE33/13	33.0±0.6	14.4± 0.25	13.0 <sup>+0</sup> <sub>-0.6</sub>	9.7±0.3	23.7min	10.1±0.25	0.61	113	69.0	7797	42.3	3500	3750	4700
EE35B/17	35.6±0.5	12.7± 0.15	17.0± 0.35	7.0± 0.25	28.6± 0.5	9.5±0.15	0.61	114.7	70.0	8031.7	45.2	3500	3700	4800
EE40/14/17	40.0±0.5	7.1±0.15	17.0±0.3	6.0±0.25	33.4 min	4.4±0.15	0.56	97.74	54.25	5303	31	4000	4170	5200
EE40.8/15/22	40.8±0.6	7.6±0.2	22.0±0.4	6.0±0.2	34.8±0.5	4.6±0.2	0.43	56.78	130.6	7415.7	44.2	4400	4600	5800
EE42/15	42.0±0.7	21.2±0.3	15.0±0.4	12.0±0.3	29.5min	15.2±0.3	0.53	181	97.3	17611	117	4000	4170	5200
EE42B/13	42.4±0.6	6.3±0.15	13.5±0.3	4.8±0.2	37.0min	4.1±0.15	0.92	61.1	56.3	3439.0	20.4	2100	2200	2750
EE42/13N	42.0±0.7	21.2±0.3	15.0±0.4	12.0±0.3	29.5min	15.2±0.3	0.429	132	56.62	7474	44	6200	6470	8100
EE42B/16	42.5±0.6	6.6±0.2	16.5± 0.35	4.8±0.2	37.0min	4.3±0.2	0.74	77.3	57.4	4436.8	25	2800	2900	3650
EE42.5/43/ 20	42.5±0.6	21.5±0.2	19.8± 0.25	12.0± 0.25	30.1min	15.4± 0.25	0.42	236.9 4	99.23	23512. 68	127.2	6000	6300	7800
EE45.3-16- 16	45.3±0.5	7.95±0.2	16.0+0.2/ -0.25	6.5±0.2	38.0±0.4	7.95±0.2	0.59	104	61.31	6376.2	36.2	4000	4100	5200
EE47/21	47.0±0.7	6.2±0.2	21.0± 0.35	5.0±0.2	42.0+0.6-0 .5	4.2±0.2	0.68	89.3	60.3	5385	33.2	3200	3300	4200
EE47/17	47.0±0.5	8.55± 0.15	21.0± 0.25	5.0±0.25	42±0.5	6.55± 0.15	0.765	90.92	69.54	6322.2 9	38	2600	2700	3900

规格	尺寸 (mm)						有效磁路参数					AL±25% (nH/N <sup>2</sup> )		
	A	B	C	D	E (min)	F	C1 (mm <sup>-1</sup> )	Ae (mm <sup>2</sup> )	Le (mm)	Ve (mm <sup>3</sup> )	Weight (g)	YR28	YR48	YR98
EE50/14/20	50.0±0.5	7.7±0.15	20.3±0.3	6.5±0.2	43.5±0.5	4.8±0.15	0.53	122	65.7	8041.4	31	4400	4600	5750
EE50.4/16.5	50.4±0.5	6.6±0.15	16.±0.25	5.6±0.2	44.2±0.4	3.8±0.2	0.67	93.75	63.14	5912.4	35	3600	3700	4600
EE55/21	55.2±1.05	27.5±0.3	21.0+0/-0.8	16.95±0.3	37.5min	18.8±0.3	0.36	343	124	42640	229.6	6300	6500	8150
EE55/25	55.2±1.05	27.5±0.3	25.0+0/-0.8	16.95±0.3	37.5min	18.8±0.3	0.295	420	124	52100	280	7800	8000	10000
EE62-24-11.5	62.0±0.8	11.5±0.25	24.0±0.3	15.0±0.25	47.0±0.8	4.0±0.25	0.199	360	71.56	25762.3	150	11500	12000	15000
EEW64-34-35	64.0±0.7	17.0±0.3	35.0±0.4	12.0±0.3	54.0±0.7	12.0±0.3	0.29	364.5	105.9	38609	214	7000	7300	9100
EE65/65/27	65.2±1.5	32.5±0.3	26.9±0.4	19.65±0.35	44.2 min	22.6±0.4	0.27	536.87	146.65	78732.5	425	9600	10000	12500
EE70/32	70±1.5	33±0.3	31.75±0.8	21.5±0.6	48±1.5	22.5±0.3	0.22	683.3	150	102523	550	11500	12000	15000
EE80/75/40	80±1.5	37.65±0.4	40.4±0.6	19.9±0.4	61.4±1.5	28.35±0.4	0.235	782.85	183.9	143965.83	750	11000	11500	14000

规格	尺寸 (mm)						有效磁路参数					AL±25%(nH/N <sup>2</sup> )		
	A	B	C	D	E (min)	F	Cl(m m <sup>-1</sup> )	Ae(m m <sup>2</sup> )	Le(mm )	Ve(mm <sup>3</sup> )	Weight (g)	YR28	YR48	YR98
EF12.7/3.5	12.7±0.3	6.5±0.2	3.5±0.2	3.5±0.2	9.1min	4.8±0.2	2.67	11.4	30.5	348.4	2.02	770	800	1000
EF14/6	14.2±0.3	5.5±0.2	6.0±0.2	3.6±0.2	10.2±0.3	3.6±0.2	1.18	22.7	26.9	610.63	3.74	1800	1880	2350
EF16/5	16.1±0.4	8.1±0.2	4.5±0.2	4.55±0.2	11.3min	5.9±0.2	1.88	20.1	37.6	754	4.4	1100	1150	1450
EF16C/5	16.0±0.5	8.1±0.2	4.5±0.2	4.5±0.2	11.8min	5.9±0.2	1.99	19.0	37.8	718.2	4.3	1050	1100	1370
EF16B/8	16.1±0.4	6.0±0.2	8.2±0.2	4.55±0.2	11.3min	3.8±0.2	0.79	37.0	29.3	1084	6.0	2500	2600	3200
EF16/8	16.1±0.4	8.1±0.2	8.2±0.2	4.55±0.2	11.3min	5.9±0.2	1.02	36.81	37.65	1386	7.5	2100	2200	2750
EF20/6 普通	20.0+0.6/-0 .4	10.0±0.2	5.65±0.25	5.7±0.2	14.1min	7.2±0.2	1.47	31.6	46.6	1468	8.04	1500	1600	2000
EF20A/6	20.0+0.6/-0 .4	9.1±0.2	5.65±0.25	5.7±0.2	14.1min	6.3±0.2	1.34	31.9	42.8	1365.3	7.9	1600	1670	2100
EF20B/6	20.0±0.4	10.2±0.3	5.7±0.2	5.75±0.1 5	14.6min	7.4±0.15	1.53	30.85	47.2	1456.39	8.2	1450	1500	2000
EF20/9	20.0±0.4	10.0±0.2	8.85±0.25	5.7±0.2	14.1min	7.2±0.2	0.94	49.3	46.4	2284	12.8	2200	2300	2870
EF20/11	20.0±0.4	10.0±0.2	10.6±0.25	5.7±0.2	14.1min	7.2±0.2	0.77	60.2	46.4	2791	15.0	2500	2600	3500
GDEF20.3	20.3±0.3	10.8±0.2	4.6±0.25	4.6±0.2	15.7±0.2	8.4±0.2	3.06	26.14	80.08	2093.4	6.44	YR36/ 2200	YR46/ 3000	YR56/ 4400
GDEF20.5/11	20.5±0.4	11.3±0.1	10.5±0.3	6.0±0.2	14.25min	8.4±0.2	0.83	66.3	47.53	3151.2	19	YR36/ 5000	YR46/ 6300	YR56/ 7700
EF20.5A/20/5	20.5±0.5	10.2±0.3	5.65±0.3	5.7±0.3	14.8min	7.4±0.3	1.34	33.5	44.9	1500	8.4	1400	1450	1950
EF20.5D/11	20.5±0.4	11.35±0.1	5.65±0.3	5.54±0.2	14.25min	8.45±0.15	0.86	60	51.9	3115.6	18	YR36/ 4400	YR46/ 6100	YR56/ 7500
EF21/6	21.0±0.4	10.0±0.2	5.65±0.25	5.7±0.2	15.0min	7.3±0.2	1.51	31.6	47.8	1512	8.5	1500	1600	2000
EF21/9	21.0±0.4	10.0±0.2	8.85±0.25	5.7±0.2	15.0min	7.3±0.2	0.98	48.7	47.6	2318.1	13.7	2200	2300	2870
EF21/11	21.0±0.4	10.3±0.2	11.0±0.25	5.7±0.2	15.0min	7.6±0.2	0.81	60.5	48.9	2958	16.4	2700	2800	3500
EF21B/11	21.2±0.4	6.0±0.2	10.5±0.25	5.7±0.2	15.0min	3.5±0.2	0.575	56	32.2	1803.2	10.2	3000	3100	3900

规格	尺寸 (mm)						有效磁路参数					AL±25%(nH/N <sup>2</sup> )		
	A	B	C	D	E (min)	F	C1(m m <sup>-1</sup> )	Ae(m m <sup>2</sup> )	Le(mm )	Ve(mm <sup>3</sup> )	Weight (g)	YR28	YR48	YR98
EF25B/7	25.3±0.5	12.6±0.25	7.2±0.25	7.25±0.25	17.8min	9.0±0.25	1.14	51.1	58.3	2984	16.1	1900	2000	2500
EF25B/9	25.3±0.6	12.6±0.25	8.85±0.25	7.25±0.25	17.8min	9.0±0.25	0.92	63.2	58.3	3685	19.6	2100	2200	2750
EF25/9	25.2±0.6	13.0±0.25	8.7±0.2	7.0±0.2	17.8min	9.5±0.25	1.01	59.6	60.4	3600	19.5	2100	2200	2750
EF25B/11	25.3 ±0.6	12.7 ±0.25	10.75±0.2 5	7.25 ±0.25	17.8min	9.10 ±0.25	0.76	76.8	58.7	4506.6	24.4	2700	2800	3500
EF25C/11	25.3±0.6	10.4±0.2	10.75±0.2 5	7.25±0.2 5	17.8min	6.8±0.2	0.648	76.45	49.54	3787.26	21	3600	3800	4800
EEL16/5	16.0±0.4	12.5±0.2	4.9±0.2	4.0±0.2	11.7min	10.4±0.2	2.93	19.1	56.1	1071.5	6.4	800	830	1050
EEL19/5	19.2±0.4	14.0±0.2	4.9±0.2	4.6±0.2	14.2 min	11.3±0.2	2.7	23.2	62.8	1460	8.75	850	900	1100
EEL22/6	22.0±0.5	15.0±0.25	5.65±0.25	5.65±0.2 5	15.6min	11.6±0.3	1.96	33.9	66.4	2252	13.8	1100	1150	1450
EEL25.4/6.5	25.4±0.5	17.1±0.25	6.5±0.25	6.5±0.25	19.0min	13.8±0.3	1.92	40.7	78.1	3178	18.6	1100	1150	1450

## EB 型磁芯 (CORE EB TYPE)

用途：高频功率变压器、扼流圈、电子变压器、电子镇流器

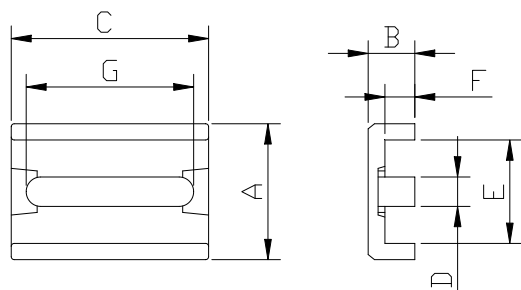


FIG1

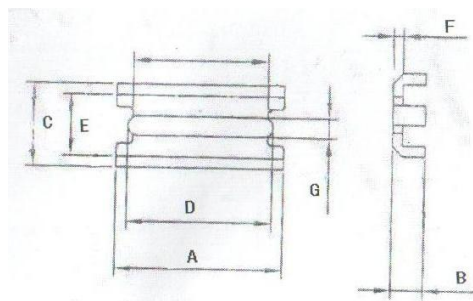


FIG2

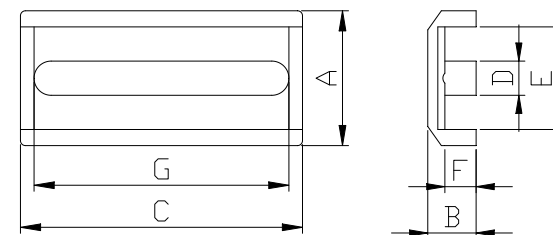


FIG3

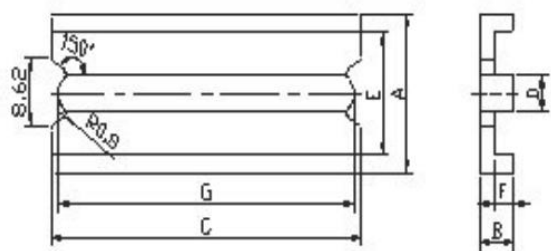


FIG4

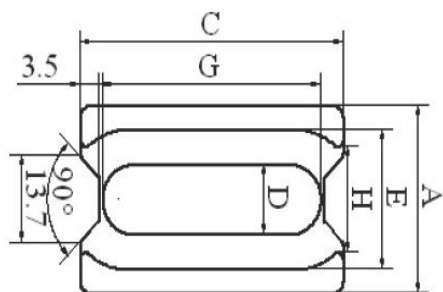


FIG5

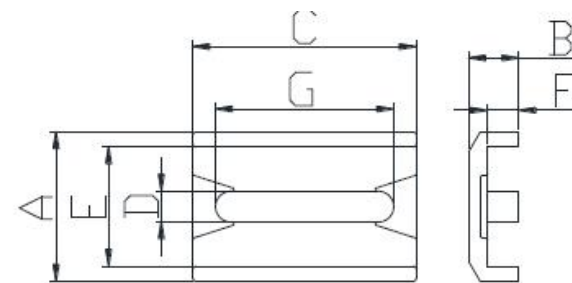


FIG6

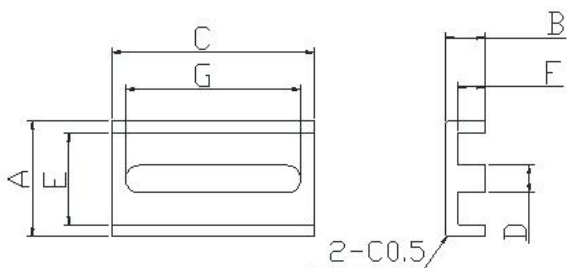


FIG7

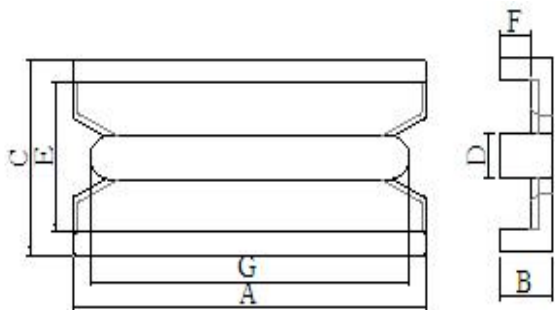


FIG8



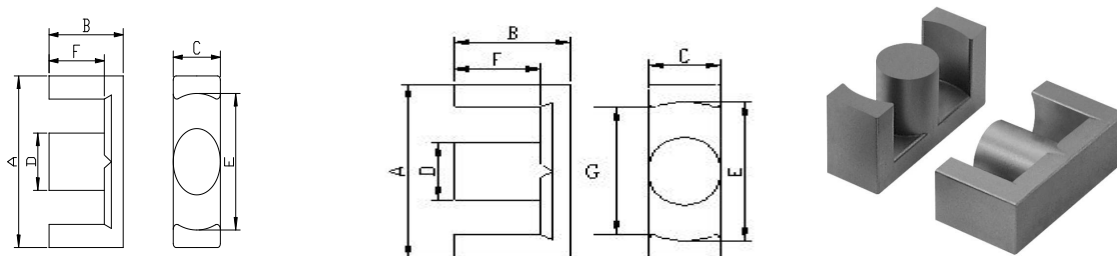
规格	尺寸 (mm)									有效磁路参数					AL±25% (nH/N <sup>2</sup> )		
	FIG	A	B	C	D	E (min)	F	G	H	C1 (mm <sup>-1</sup> )	Ae (mm <sup>2</sup> )	Le (mm)	Ve (mm <sup>3</sup> )	Weight (g)	YR28	YR48	YR98
EB19/16	3	16.1± 0.5	5.35± 0.2	19.0± 0.35	4.9± 0.3	12.0min	3.4± 0.2	15.9 5± 0.3		0.413	68.94	28.4 5	1961.3 5	11.8	5100	5300	6650
EB20/9	3	13.2± 0.4	4.6±0.2	19.8± 0.4	2.9± 0.2	9.2min	3.0± 0.2	16.8 ± 0.3		0.43	56.0	24.0	1344	8.15	3500	3600	4500
EB20B/9	6	13.5± 0.5	4.5±0.2	20.0± 0.4	2.8± 0.2	10.2min	2.8± 0.2	15.9 ± 0.3		0.448	52	23.3	1211.6	7.99	3500	3600	4500
EB25/10		12.5 ± 0.4	5.1±0.2	25.6± 0.4	2.9± 0.2	8.5min	3.5± 0.2	21.4 ±0.3		0.37	66.24	24.8 9	1648.7	13.5	5500	5700	7200
EB26/9	1	13.5± 0.4	4.5±0.2	26.0± 0.4	2.7± 0.2	10.2min	2.7± 0.2	21.7 ± 0.3		0.325	72	23.4	1685	10.9	6000	6250	7800
EB28B/9	1	13.4± 0.4	4.6±0.2	27.8± 0.4	3.1± 0.25	10.0min	2.9± 0.2	25.3 ± 0.3		0.28	85	23.8	2023	12.35	5400	5600	7000
EB28C/10	7	20±0.4	5.0±0.2	28±0.5	5±0.2	15.6± 0.4	3.1± 0.2	24± 0.4		0.295	<b>94.68</b>	<b>29.8</b> <b>2</b>	<b>2823.7</b>	21	6000	6250	7800
EB37/14	7	21.0± 0.5	7.3±0.2	37.0± 0.5	5.0± 0.15	16.3	5.0± 0.2	32.0 ± 0.3		0.248	156.4	38.9	6081.8	38	1100 0	1150 0	1430 0
EB39/9.1	1	13.6± 0.4	4.55± 0.15	39.0+0. 3/-0.5	2.7± 0.3	10.2	2.85± 0.15	34.6 ± 0.5		0.22	107.1	23.9	2559	9.1	7800	8200	1020 0

规格	尺寸 (mm)									有效磁路参数					AL±25% (nH/N <sup>2</sup> )		
	FIG	A	B	C	D	E (min)	F	G	H	C1 (mm <sup>-1</sup> )	Ae (mm <sup>2</sup> )	Le (mm)	Ve (mm <sup>3</sup> )	Weight (g)	YR28	YR48	YR98
EB39C/9	6	14.4± 0.4	4.9±0.2	39±0.5	2.6± 0.4	11.9± 0.4	3.2± 0.2	34.1 ± 0.3		0.273	94.88	25.9 4	2461.6 6	17	6900	7100	8700
EB41/11	8	41.3± 0.6	5.4± 0.15	19.8± 0.3	4.5± 0.25	14.7min	3.3± 0.2	37. ± 0.35		0.179	170	30.5	5185	31.6	8600	9000	1120 0
EB47/11	4	29.2± 0.4	5.45± 0.2	47.0± 0.6	7.7± 0.2	22.0min	3.35± 0.2	43± 0.5		0.138	242.8	33.5	8137.8	53	1430 0	1500 0	1870 0
EB47.5/2 0	5	29.6± 0.5	10.0± 0.2	47.6± 0.8	11.0± 0.3	22.5± 0.3	6.0± 0.2	39.2 ± 0.4	17.0 ± 0.7	1.05	394.0 6	48.4 5	19092. 2	106	1720 0	1800 0	2250 0
EB51/11	4	20.0± 0.5	5.6±0.2	51.0± 0.8	4.5± 0.2	14.8min	3.2± 0.2	48.6 ± 0.45		0.132	234	30.9	7231	43.5	1200 0	1250 0	1550 0



## EC 型磁芯 (CORE EC TYPE)

用途：高频功率变压器、扼流圈、电子变压器、电子镇流器



规格	尺寸 (mm)						有效磁路参数					AL±25% (nH/N <sup>2</sup> )		
	A	B	C	D	E (min)	F	C1 (mm <sup>-1</sup> )	Ae (mm <sup>2</sup> )	Le (mm)	Ve (mm <sup>3</sup> )	Weight (g)	YR28	YR48	YR98
GDER9.5	9.35±0.3	2.45±0.15	4.9±0.2	3.4±0.15	7.65±0.3	1.675±0.15	1.52	8.93	13.61	121.5	0.7	YR36 1450	YR46 1600	YR56 2200min
ER11.5	10.8±0.3	2.45±0.15	5.9±0.2	4.15±0.15	8.85±0.3	1.5-1.65	1.2	12.85	14.05	176.8	1	870 min	1160	1230
ER12.5/9.3 / 9.3	12.6±0.3	4.65±0.2	9.3±0.3	2.5±0.2	10.2±0.3	3.35±0.2	1.099	22.84	25.11	573.63	3.5	8100	8400	10500
EC18.5/15	18.6±0.4	7.45±0.2	6.0±0.2	6.0±0.2	13.0min	4.95±0.2	1.16	30.4	35.3	1073	6.0	1600	1650	2080
ER18/13	18.86±0.3	6.3±0.15	10.82±0.2	7.9+0.1/ -0.15	14.92±0.25/ 11.54±0.25	3.47±0.1	0.381	23.9	62.75	149.5	10.0	4200	4400	5600
EC19/16	19.2±0.35	8.2±0.15	5.0±0.2	5.0±0.2	14.1min	5.7±0.2	1.76	22.52	39.73	894.8	5.2	1300	1350	1500
EC19/27.3/ 7.4	19.6±0.5	13.65±0.15	7.4±0.2	7.4±0.2	14.9±0.5/ 13.0min	9.4±0.4	1.32	41.3	54.6	2260	14.5	1310	1370	1720
EC25/19	25.4±0.6	9.6±0.3	7.5±0.3	7.5±0.3	19.6min	6.7±0.3	1.14	43.0	49.1	2109	13.6	1900	2000	2500
ER25/10 (EC25-10)	25.3±0.4	5.1±0.2	10.0±0.25	8.3±0.2	18.2min	3.1±0.2	0.63	48.0	30.0	1440	10.0	3300	3450	4300
EC25/20/11	25.0±0.6	10.0±0.3	11.0±0.2	9.5±0.3	19.0min	6.5±0.2	0.63	73.9	46.7	3451	19.2	3300	3450	4300

规格	尺寸 (mm)							有效磁路参数					AL±25% (nH/N <sup>2</sup> )		
	A	B	C	D	E (min)	F	G	C1 (mm <sup>-1</sup> )	Ae (mm <sup>2</sup> )	Le (mm)	Ve (mm <sup>3</sup> )	Weight (g)	YR28	YR48	YR98
EC28/22	28.2± 0.6	10.7± 0.25	11.4± 0.3	10.9±0.2	21.5min	6.7±0.25		0.56	87.7	48.8	4284	26	3800	3950	5000
ER25A/10	25.4± 0.4	5.6±0.2	9.95± 0.3	8.3±0.25	19.1min	3.5±0.2	0.66	49.8	32.9	1628	10.8	3300	3450	4300	ER25 A/10
EC27/19	27.0± 0.6	9.7±0.25	7.5±0.3	7.5±0.3	19.8min	6.5±0.25	1.03	47.7	49.4	2356	13.2	2000	2100	2600	EC27 /19
EC28/28	28.1± 0.6	14.0± 0.25	11.4± 0.3	9.7±0.3	21.2min	10.0± 0.25	0.77	83.7	64.5	5401	31.9	2700	2800	3600	EC28 /28
EC28/34	28.1± 0.6	17.4± 0.25	11.4± 0.3	9.9±0.3	21.2min	12.9± 0.25		0.92	82.9	76.1	6309	36.3	2500	2600	3250
EC28B/28	28.5±0.5	14±0.2	11.4± 0.25	9.9±0.25	22.1±0.5	9.6±0.15	18.5min	0.74	82.1	64	5254	32	2700	2800	3600
EC29/28	29.1 ±0.6	14.3± 0.25	11.4± 0.3	9.9±0.25	22.5min	10.0± 0.25	20.5min	0.8	82.0	65.5	5372	32.0	2700	2800	3600
EC29/34	29.1± 0.6	17.1± 0.25	11.4± 0.3	9.9±0.25	22.5min	12.8± 0.25	20.5min	0.94	81.0	76.7	6234	36.6	2500	2600	3250
EC30/32	29.8± 0.8	15.8± 0.25	9.5± 0.3	9.5±0.3	22.0min	11.0± 0.25	20.2min	0.92	77.0	70.6	5436	32.7	2300	2400	3000
EC30B/17/1 6	30.0± 0.4	8.3± 0.15	16±0.3	11±0.2	22.3min	5.3± 0.15		0.392	107.18	42.04	4506.1 9	25.	4500	4800	6000
EER3118W	31.0± 0.5	8.9± 0.15	12.4± 0.2	11.0±0.2	24.0± 0.5	5.15± 0.15	22.8± 0.5	0.46	50.3	93.6	4703	26	4400	4700	5900
EC32A/34	31.5± 0.5	16.9± 0.2	11.4± 0.25	9.9±0.2	24.2± 0.5	12.5± 0.2	21.5min	0.88	87.26	76.89	6709.1 9	43	2500	2600	3200
EC34B/34	34.2± 0.8	17.4± 0.25	10.8± 0.3	10.8±0.3	25.6min	12.2± 0.25		0.85	94.4	79.9	7533	43	2500	2600	3250
EC34/35 新 开	35.2± 0.8	17.3± 0.25	10.8± 0.3	10.8±0.3	26.6min	12.1± 0.25	25.4min	0.84	95.0	79.1	7597	42	2600	2700	3400

规格	尺寸 (mm)							有效磁路参数					AL±25% (nH/N <sup>2</sup> )		
	A	B	C	D	E (min)	F	G	C1 (mm <sup>-1</sup> )	Ae (mm <sup>2</sup> )	Le (mm)	Ve (mm <sup>3</sup> )	Weight (g)	YR28	YR48	YR98
EC35/34	35.0±0.7	16.8±0.25	11.3±0.3	11.3±0.3	26.5min	10.8±0.25		0.7	108.4	75.4	8175	43	3100	3200	4000
EC35/42	35.0±0.7	21.0±0.3	11.3±0.3	11.3±0.3	26.5min	15.0±0.25		0.86	106.9	92.2	9849	55.2	2700	2800	3600
EC35/43	35.0±0.7	21.5±0.25	11.3±0.3	11.3±0.3	26.5min	15.5±0.25	24.5min	0.88	106.7	94.2	10043	56	2600	2700	3400
EC36/42	36.2±0.6	21.4±0.25	11.3±0.3	11.3±0.3	26.4min	15.4±0.25		0.85	102.8	94.4	9703	57.0	2500	2600	3250
EC36.3/42/1 1.3	36.3±0.8	21.3±0.25	11.2±0.3	11.2±0.3	28.4±0.8	15.4±0.25	26.65±0.8	0.9	104.35	94.19	9829.6	55	3000	3100	3900
EC39/45	39.4±0.7	22.7±0.25	12.5±0.3	12.5±0.3	29.5min	17.2±0.25		0.83	126	104	13104	71.5	2600	2700	3400
EC39/42	39.4±0.7	21.0±0.25	12.5±0.3	12.5±0.3	29.5 min	15.5±0.25		0.77	126	96.8	12206	70.2	2800	2900	3650
EC40/44/13	40.0±0.8	22.1±0.3	13.3±0.3	13.3±0.3	29.0min	15.1±0.3	27.0min	0.62	153.6	95.9	14731	82.7	3100	3200	4000
EC40/45/13	40.0±0.8	22.6±0.3	13.3±0.3	13.3±0.3	29.0min	15.6±0.3	27.0min	0.64	153	97.9	14978	83.0	3200	3300	4150
EC40/43/15	40.0±0.8	21.3±0.3	15.0±0.3	14.0±0.3	30.7min	15.3±0.3	28.0min	0.605	158	95.6	15100	83.6	3300	3400	4250
EC41A/44/1 2.5	41.0±0.7	22.4±0.25	12.5±0.3	12.5±0.3	31.3min	17.2±0.25	29.2 min	0.775	132.79	102.94	13668. 95	70.6	2800	2900	3650
EC42/44/15	42.0±0.6	21.8±0.25	15.2±0.3	15.2±0.2-0 .3	30.8min	15.7±0.25	28.5±0.6	0.53	184	98.3	18071	100.8	3900	4000	5800
EC42/45/20	42.0±1.0	21.6±0.25	19.6±0.4	17.1±0.35	32.1min	15.65±0.3	27.4min	0.425	227.8	97	22096. 6	126	5000	5200	6500
EC42A/45/1 8	42.5±0.6	22.5±0.25	17.85±0. 35	17.85±0.3	33.0min	16.0±0.25	29.0 min	0.397	247.21	98.21	24278. 41	120	6400	6700	8300
EC43/20/20	43.5±1.0	22.0±0.3	19.8±0.3	17.4±0.3	33.2±1.0	16.0±0.3		0.45	224.32	100.65	22578. 9	124.4	5750	6000	7500

规格	尺寸 (mm)							有效磁路参数					AL±25% (nH/N <sup>2</sup> )		
	A	B	C	D	E (min)	F	G	C1 (mm <sup>-1</sup> )	Ae (mm <sup>2</sup> )	Le (mm)	Ve (mm <sup>3</sup> )	Weight (g)	YR28	YR48	YR98
EC44/45/15	44.0± 0.8	22.5± 0.25	15.3± 0.3	15.0±0.3	32.0min	16.5± 0.25		0.58	179	103.2	18473	108.4	3600	3750	4700
EC44/48/15	44.0± 0.8	23.9± 0.25	15.3± 0.3	15.0±0.3	32.0min	16.9± 0.25		0.56	188.8	106.2	20050	110.2	3500	3650	4550
EC49/50/16	49.0± 1.0	25.0±0.3	16.4± 0.3	16.4±0.3	37.2min	18.30± 0.3		0.54	211.7	114.7	24292. 3	132	5300	5500	6900
EC52-12	52.0± 1.0	6.0±0.15	20.00± 0.3	17.00±0.3	42.0± 0.5	3.5±0.3		0.416	120.73	50.2	6060.8 3	54	5600	5800	7000
EC53/45/21	53.2± 0.8	23.2±0.3	21.5± 0.3	19.95±0.3	38.7min	16.30± 0.3	34.85± 0.8	0.33	314	114	36043	164	6700	7000	7800
EC54/55	54.5± 1.30	27.7±0.2	18.9± 0.40	18.9±0.40	41.2± 1.10	20.3± 0.40		0.455	279	127	35620	210	4800	5000	6200
EC60/62	59.8± 1.30	31.0±0.2	21.65± 0.45	21.65± 0.45	44.7± 1.10	22.5± 0.40		0.384	367	141	51630	280	5300	5500	6900

## ECO 型磁芯 (CORE ECO TYPE)

用途：高频功率变压器、扼流圈、电子变压器、电子镇流器

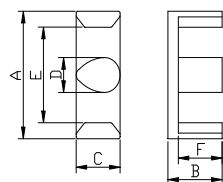


FIG1

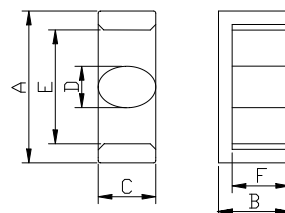


FIG2

规格	尺寸 (mm)							有效磁路参数					AL ± 25% (n H/N <sup>2</sup> )		
	FIG	A	B	C	D	E (min)	F	C1 (mm <sup>-1</sup> )	Ae (mm <sup>2</sup> )	Le (mm)	Ve (mm <sup>3</sup> )	Weight (g)	YR28	YR48	YR98
ECO21/21	1	21.0±0.5	10.65±0.2	7.7±0.2	5.7±0.2	15.4 min	8.4±0.2	1.63	34.0	55.5	1887	11.7	1400	1450	1800
ECO21/24	1	21.0±0.5	12.15±0.2	7.7±0.2	5.7±0.2	15.4 min	9.9±0.2	1.81	34.0	61.5	2091	12.2	1300	1350	1850
ECO22/25/9	2	23.5±0.3	13.35+0.3/-0.1	9.0±0.2	6.3±0.2	17.5min	10.75+0.3/-0.1	1.75	40.67	71.3	2900	16.8	1300	1400	1900
ECO25-25	1	25.3±0.5	12.75±0.2	11.75±0.3	7.0±0.2	18.5min	9.9±0.2		56.06	62.2	3501.2	24.4	3200	3300	4200

## ED 型磁芯 (CORE ED TYPE)

用途：高频功率变压器、扼流圈、电子变压器、电子镇流器

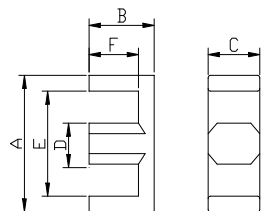


FIG1

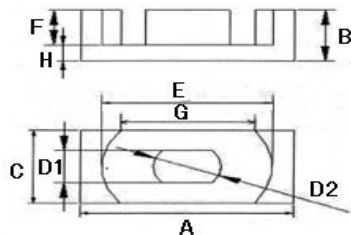


FIG2

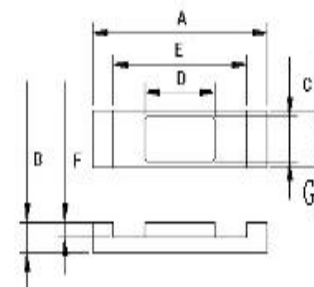


FIG3

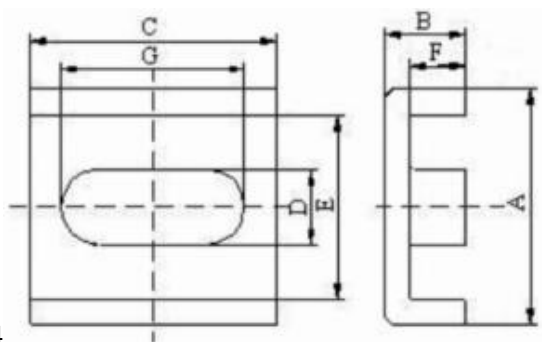


FIG4

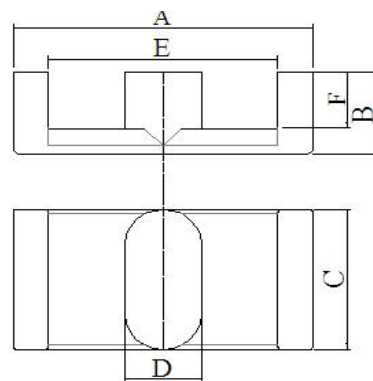


FIG5

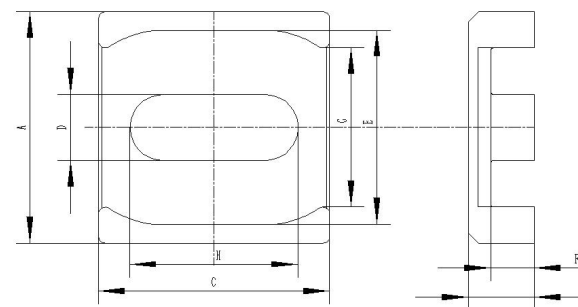


FIG6

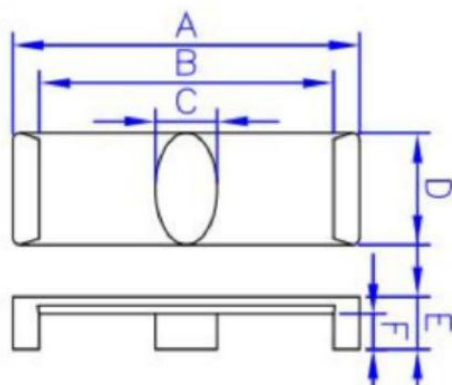


FIG7

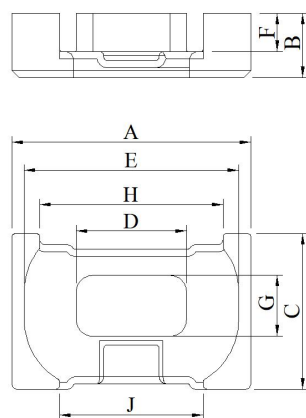


FIG8

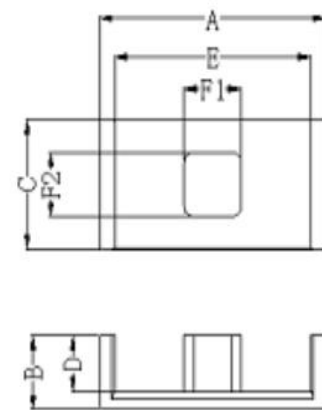


FIG9

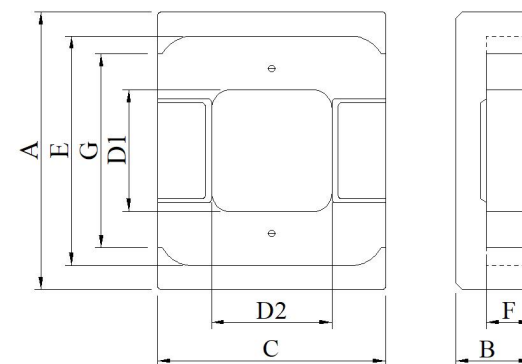


FIG10

规格	尺寸 (mm)									有效磁路参数					AL±25% (mH/N <sup>2</sup> )		
	FIG	A	B	C	D(D1)	E (min)	F	D2/J	G	C1 (mm <sup>-1</sup> )	Ae (mm <sup>2</sup> )	Le (mm)	Ve (mm <sup>3</sup> )	Weight (g)	YR28	YR48	YR98
EDR16/20	4	20.0± 0.4	4.85± 0.15	16.0±0.3	5.0±0.2	15.1± 0.4	3.15± 0.15		12.0± 0.3	0.566	51.83	29.33	1520.1 1	11	4400	4600	5400
ED20/8	2	20 ±0.4	3.9 ±0.15	9.9 ±0.25	4.4 ±0.2	16.6 min	2.6 ±0.15	6.4 ±0.2	14.5 MIN	1.12	23.76	26.66	633.4	5.3	2000	2050	2600
ED21/27	4	21.1± 0.6	7.35± 0.2	27.0± 0.35	4.95±0.3	16.8min	5.1± 0.25		22.05 ±0.35	0.37	106.4	39.3	4181.5	25.6	6000	6250	7800
ED21/37	4	21.0± 0.5	7.3± 0.2	37.0±0.5	5.0±0.15	16.3min	5.0± 0.2		32.0± 0.3	0.248	156.4	38.9	6081.8	38.0	9200	9600	12000
EED2110S	8	21.5± 0.35	5.0± 0.2	14.0±0.3	9.9±0.2	19.3+0.3 5/-0.25	3.0± 0.2	5.5±0.2/12.9± 0.35	16.5± 0.35	0.7	44.27	30.95	1370.1 8	10	5200	5400	6800
EED21.8/ 12/18.4	10	21.9± 0.4	6.05± 0.15	18.2±0.4	9.6±0.25	18.1± 0.4	3.6± 0.2	9.6±0.25	15.3± 0.4	0.41	83.46	34.36	2867.6	17.6	4600	4800	6000
EED24/20	6	24.0± 0.5	10.6± 0.2	9.5±0.25	6.5±0.25	17.5± 0.5	7.6± 0.2			0.93	54.72	51.03	2792.6	15.4	2400	2500	3100
EED25/16	5	25.0± 0.4	7.9± 0.2	14.0±0.3	7.5±0.2	18.7± 0.4	4.8± 0.2		3.1± 0.15	0.454	90	40.91	3683.6 2	22	5200	5400	6800
ED26/30	1	26.0± 0.5	14.75± 0.30	11.5± 0.25	7.8±0.2	19.0+0. 7/-0	11.35+0. 3/-0.25			0.86	78.64	67.97	5345.1	30.4	2500	2600	3250
ED28/21	5	28.0± 0.6	10.4± 0.3	11.9±0.2	8.5±0.2	20.5 min	6.7± 0.3			0.58	86.1	50.5	4350	25.0	3800	3900	4900
ED30/10	3	30.0± 0.5	5.1± 0.2	7.7± 0.2	12.1± 0.3	23.30± 0.4	2.20± 0.2		6.0± 0.2	0.66	49.65	32.8	1628.5	11.0	3250	3400	4200
EED31A/1 7W	3	31.0± 0.5	8.4± 0.15	20.0±0.3	10±0.2	22±0.4	4.95± 0.15		16± 0.2	0.29	120	48	5760	43.4	6900	7200	9000
EED31C-1 7W	3	31.0± 0.5	8.9± 0.15	20.0±0.3	22.7±0.4	10±0.2	4.95± 0.15		16± 0.2	0.297	159.2	47.23	7518.7 3	44	6900	7200	9000
EED31B/1 7W	3	31.8± 0.4	8.5± 0.15	14.0±0.2	9.95± 0.15	23.2min	4.85± 0.15		9.95± 0.15	0.426	109.4 5	46.64	5104.4	29.4	4700	4900	6300

规格	尺寸 (mm)									有效磁路参数					AL±25% (nH/N <sup>2</sup> )		
	FIG	A	B	C	D(D1)	E (min)	F	D2	G	C1 (mm <sup>-1</sup> )	Ae (mm <sup>2</sup> )	Le (mm)	Ve (mm <sup>3</sup> )	Weight (g)	YR28	YR48	YR98
EED3411	5	34.0± 0.5	5.7± 0.15	22.0±0.3	8.0±0.15	27.8± 0.5	2.7± 0.15		18.6± 0.3	0.315	133.3 4	42.01	5602.1 1	34	6800	7100	8800
ED3317	3	33.8 ± 0.5	8.35 ± 0.15	16.5±0.2	28.8±0.5	8.4 ± 0.15	5.85 ± 0.15		8.4 ± 0.15	0.707	78.1	55.22	4311.2	25.0	3000	3150	3900
ED3318W	3	33.0± 0.3	9.40± 0.15	14.0±0.2	24.0+0.3/ -0.35	10.0± 0.2	4.9± 0.15		12.0± 0.2	0.394	124.2 8	48.98	6087	34.6	5400	5700	7000
EED33A	3	33.0+0.4 /-0.3	9.40± 0.15	14.0±0.2	24.0 min	10.0+0. 1/-0.15	4.9± 0.15		12.0+0 .1/-0. 15	0.38	127	48.12	6111.2 4	32	5400	5700	7000
ED35/20	6	35±0.6	10.0± 0.15	35±0.6	10.0±0.2	29.4± 0.5	6.6± 0.2	24.0 min		0.273	53.97	193.92	10271. 18	78	8200	8600	10700
EED3617	3	36.8± 0.5	8.35± 0.15	18.5±0.2	31.8 ± 0.5	9.6± 0.15	5.85± 0.15	9.6±0.15		0.65	92.4	60.3	5572	30.6	4200	4400	5800
EED3812	3	38.0± 0.5	6,25+0. 15/-0.1	18.5±0.3	9.6±0.2	33.0± 0.5	4.25± 0.15	9.6±0.2		0.54	84.9	45.88	3988.7	25.2	3100	3300	4200
ED38/15	7	38.0± 0.5	31.8min	6.0±0.2	14.0+0.1/ -0.3	7.8± 0.2	4.9± 0.2	0.74		0.74	75.2	56	4211	24.4	3100	3200	4200
EED40A-2 0	9	40.0± 0.5	10.0± 0.2	29.0 ± 0.3	7.3± 0.2	34.0± 0.5	13.0± 0.25	16.0± 0.3		0.38	64.72	64.72	11036. 64	65.4	6000	6150	7700
EED40.8/ 26	3	40.8± 0.5	12.85± 0.2	26.85± 0.3	11.0±0.3	30.8± 0.5	8.0± 0.2				271.2 7	67.53	18320. 6	93.2	8200	8600	10700
ED41/16	3	41.0± 0.5	8.30± 0.15	23.0±0.4	36.0±0.5	11.5± 0.3	5.80± 0.15		11.5± 0.3	0.52	118.1	61.4	7256	40.7	4500	4700	5600



规格	尺寸 (mm)									有效磁路参数					AL±25% (nH/N <sup>2</sup> )		
	FI G	A	B	C	D	E (min)	F	G	H	C1 (mm <sup>-1</sup> )	Ae (mm <sup>2</sup> )	Le (mm)	Ve (mm <sup>3</sup> )	Weight (g)	YR28	YR48	YR98
ED4125	5	41.8± 0.5	12.3±0.25	21.85±0.4	11.0± 0.3	31.8± 0.5	8.9+0.3/- 0.2			0.313	218.9	68.42	14977 .35	88	6000	6300	7800
EED42B (EED42/12)	3	42.2± 0.5	6.25+0.15/ -0.12	23.0±0.4	37.2± 0.5	11.5± 0.25	4.25± 0.15	11.5 ± 0.25		0.45	105.0 7	47.42	4982. 69	35	3400	3600	4600
EED46B/12	3	46.2± 0.55	6,15+0.15/ -0.1	28.0±0.35	8.5±0.2	41.6± 0.55	4.15± 0.15	18.0 ±0.3		0.65	119.3 2	57.3	6831. 81	42	4800	5000	6200
EED46/12	3	46.2± 0.55	6,15+0.15/ -0.1	34.0±0.35	8.5±0.2	41.6± 0.55	4.15± 0.15	18.0 ±0.3		0.49	142.3	69.8	9949	52	4800	5000	6200
ED42/26	4	26.0± 0.6	7.6±0.2	42±0.6	5.9±0.3	20.5min	4.95±0.2		36.9 ± 0.35		192.4 2	43.12	8297. 7	56	920	960	12000
ED4324	5	43.0± 0.5	12.2±0.2	21.9±0.3	11.0± 0.2	33.0± 0.5	8.7±0.2			0.36	186.1	68	12654 .8	74.2	6000	6250	7800
EED47.5/15 /20	5	47.5± 0.6	7.5±0.25	20±0.3	5.0± 0.25	41.5± 0.6	4.5±0.25			0.555	113.8	63.18	7189. 9	42	4200	4400	5800
EED48/20	5	48.60 ±0.60	9.80± 0.15	24.00± 0.30	10.00 ±0.25	39.60 ±0.60	5.30± 0.15			0.297	220.6 1	65.63	14478 .91	82.5	77000	8000	11000
EED5026	5	50.80 ±0.80	12.85± 0.20	26.85± 0.40	40.80 ±0.80	14.00 ±0.35	8.00± 0.20			0.26	282.1 5	74.54	21031 .34	120.4	8100	8400	10500
ED50/30	6	50± 0.8	15.0± 0.15	35±0.5	14± 0.35	40.5± 0.75	10.0± 0.2	37.0m in	28.5 ± 0.5	0.242	355.5 1	86.14	30622 .93	168	10000	10200	12800

## EFD 型磁芯 (CORE EFD TYPE)

用途：高频功率变压器、扼流圈、电子变压器、电子镇流器

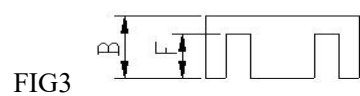
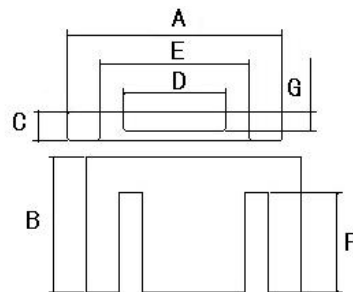
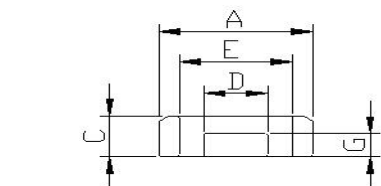
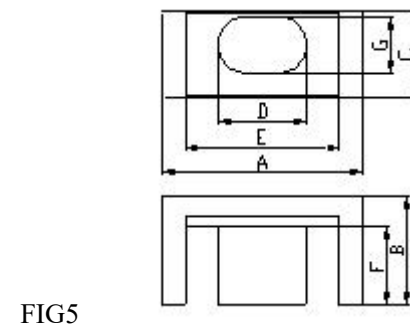
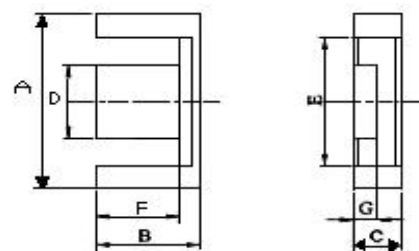
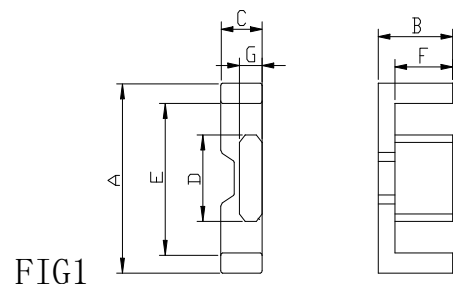
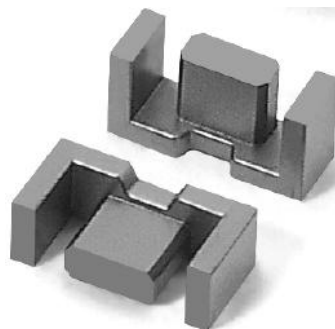
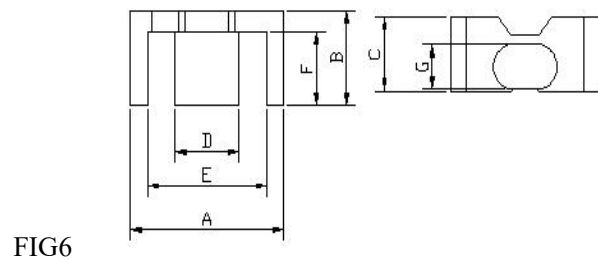


FIG4

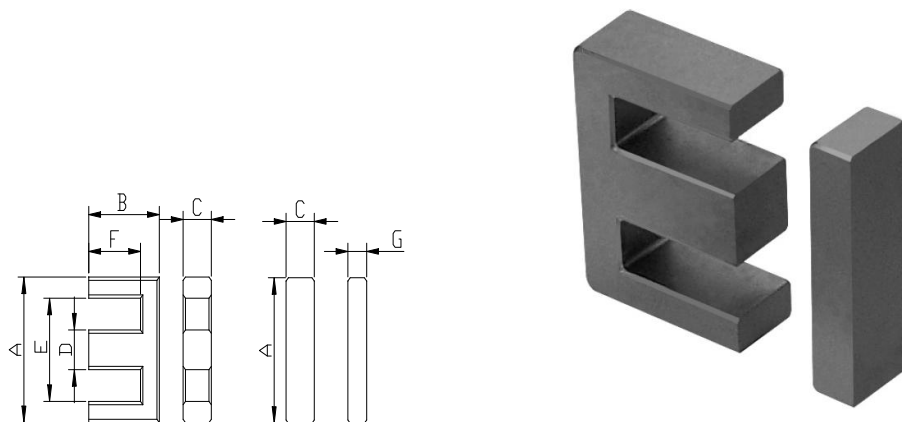


规格	尺寸 (mm)								有效磁路参数					AL±25% (nH/N <sup>2</sup> )		
	F I G	A	B	C	D	E (min)	F	G	C1 (mm <sup>-1</sup> )	Ae (mm <sup>2</sup> )	Le (mm)	Ve (mm <sup>3</sup> )	Weight (g)	YR28	YR48	YR98
EFD10	1	10.4±0.6	5.20±0.2	2.85±0.2	4.4±0.2	7.0 min	3.8± 0.2	1.45± 0.2	3.2	7.33	23.4	172.1	1.5	550	600	700
EFD14/15	2	14.45± 0.35	7.3±0.2	4.6±0.25	5.5±0.2	10.9	5.5± 0.2	2.35± 0.2	2.4	14.2	34.7	494	2.58	900	950	1100
EFD15/15	1	15.4±0.5	7.8±0.2	4.7±0.2	5.3±0.2	11.0	5.8±0.2	2.4±0.2	2.33	15.0	35.0	525	3.4	900	950	1100
EFD15B/15	1	15.5±0.4	7.8±0.2	4.8±0.2	5.3±0.2	11.25min	5.8±0.2	2.3±0.15	2.33	15	34	510	3.4	800	900	1050
EFD16/15	2	16.3±0.3	7.5±0.2	4.8±0.2	6.0±0.2	12.2	5.40±0.2	2.5±0.2	2.14	16.8	36.0	604.8	3.68	850	900	1100
EFD18/17	3	18.0±0.4	8.50±0.2	6.0±0.2	7.5±0.2	12.9 min	6.1±0.2	3.4±0.2	1.53	26.28	40.39	1061.4	6.5	1400	1450	1800
EFD18A	3	18.0±0.4	8.7±0.2	6.0±0.2	7.5±0.2	12.9 min	6.3±0.2	3.2±0.2	1.53	25.08	40.69	1020.5	6.5	1400	1450	1800
EFD18.1	3	18.1±0.4	8.7±0.2	6.0±0.2	7.4±0.2	13.3±0.4	6.2±0.2	3.4±0.2	1.53	25.09	40.69	1020.9	6.5	1400	1450	1800
EFD20/20	1	20.0±0.55	10.2±0.2	6.65±0.3	8.9±0.25	15.4	7.9±0.2	3.6±0.2	1.69	28.5	48.3	1376	8.5	1200	1300	1650
EFD20/25	1	20.0±0.55	12.8±0.2	6.65±0.3	8.9±0.25	15.4	10.5± 0.2	3.6±0.2	2.09	28.5	59.5	1696	8.7	1050	1100	1350
EFD20.5/20	1	20.5±0.55	10.2±0.2	6.65±0.3	8.9±0.25	15.6	7.9±0.2	3.6±0.2	1.68	29.0	48.8	1415.2	8.46	1200	1300	1650
EFD21/20	1	20.8±0.55	10.2±0.2	6.65±0.2	8.9±0.25	16.0	7.9±0.2	3.6±0.2	1.72	28.5	49.1	1399.4	8.3	1300	1350	1700
EFD21A/20	1	21.2±0.55	10.3±0.2	6.7±0.2	8.9±0.25	16.5± 0.3	8.0±0.2	3.6±0.2	1.79	27.39	49.05	1343.5	8.5	1300	1350	1700
EFD21B/21	6	21.5±0.4	10.5±0.2	9.0±0.2	8.9±0.2	16.8± 0.4	8.2±0.2	5.45± 0.2	1.23	40.1	49.4	1981	12	1900	2000	2500
EFD21.5/20	1	21.5±0.5	10.3±0.2	6.65±0.2	8.9±0.25	17± 0.55	8.0±0.2	3.6±0.2	1.83	26.36	48.27	1272.7	8.6	1300	1350	1700
EFD23.5 /23	1	23.5±0.5	11.5± 0.25	8.3±0.2	8.9±0.2	15.6	7.7± 0.25	5.0± 0.15	0.99	50.8	50.4	2559	16.8	1900	2000	2500
EFD25/25	1	25.0±0.65	12.5±0.2	9.1±0.2	11.4±0.2	18.7	9.3±0.2	5.2±0.2	1.05	56.1	58.8	3298.7	18.0	2000	2050	2600

规格	尺寸 (mm)								有效磁路参数					AL±25% (nH/N <sup>2</sup> )		
	FIG	A	B	C	D	E (min)	F	G	Cl (mm <sup>-1</sup> )	Ae (m <sup>2</sup> )	Le (mm)	Ve (mm <sup>3</sup> )	Weight (g)	YR28	YR48	YR98
EFD25B/25	1	25.8±0.6	12.7±0.25	9.1±0.2	11.3±0.25	18.7min	9.5±0.2	5.2±0.25	1.05	56.9	59.6	3391	18.2	2000	2100	2800
EFD25E/25	1	25.0±0.65	12.5±0.2	8.8±0.25	11.4±0.25	18.7±0.6	9.3±0.25	5.2±0.25	1.099	51.11	56.19	2872	17.8	2000	2100	2800
EFD26A/21	1	26.0±0.6	10.8±0.2	9.2±0.25	11.4±0.3	19.5min	7.6±0.2	5.1±0.2	0.93	56.2	52.4	2945	16.6	2300	2400	3000
EFD26.5/25	1	26.6±0.5	12.6±0.2	9.1±0.2	11.4±0.25	20.6min	9.4±0.2	5.2±0.2	1.13	53	59.8	3168	18.0	1900	2000	2500
EFD30.5/30	1	30.5±0.5	15.4±0.2	9.1±0.3	14.6±0.3	23.7min	11.7±0.2	4.9±0.2	1.16	61.7	71.4	4405	25.0	2100	2200	2700
EFD35/43	4	35.7±0.7	21.70±0.2	6.5±0.2	16.5±0.2	25.2min	16.70±0.2	3.9±0.15	1.5	66.0	97.4	6430	37	1450	1500	1900
EFD38/38	4	38.5±0.6	19.25±0.2	8.0±0.2	18.0±0.25	27.5±0.4	13.75±0.15	5.0±0.15	1.0	87.8	87.8	7709	42	2500	2600	3250
EFD38A/42/11.5	4	38.0±0.6	15.9±0.2	11.8±0.3	12.8±0.3	29.7±0.6	15.9±0.2	7.8±0.3	0.932	103.27	96.27	9941.67	56	2400	2500	3400
EFD40/44	4	40.4±0.7	22.25±0.2	8.0±0.25	19.9±0.3	29.8MIN	17.25±0.25	3.85±0.2	1.28	78.4	100.7	7895	44.0	1800	1900	2200
EFD43/45	4	43.5±0.7	22.7±0.2	6.3±0.2	22.5±0.3	32.5min	17.5±0.2	3.2±0.15	1.6	66.3	106	7029.9	43	1500	1560	2000
EFD45/55	4	45.0±0.7	27.6±0.2	6.1±0.2	21.6±0.3	30.7min	20.2±0.25	4.1±0.15	1.35	86.5	117.1	10123	56.5	1600	1700	2400
EFD45B/50	4	45.2±0.7	24.9±0.2	7.5±0.15	24.0±0.3	32.8MIN	18.15±0.2	4.0±0.15	1.15	93.9	107.8	10129	60.5	1700	1800	2400

## EI 型磁芯 (CORE EI TYPE)

用途：高频功率变压器、扼流圈、电子变压器、电子镇流器



规格	尺寸 (mm)							有效磁路参数					AL ± 25% (nH/N <sup>2</sup> )		
	A	B	C	D	E (min)	F	G	C1 (m <sup>-1</sup> )	Ae (m <sup>2</sup> )	Le (mm)	Ve (mm <sup>3</sup> )	Weight (g)	YR28	YR48	YR98
EI22/6	22.0±0.5	15.5±0.25	5.6±0.25	5.6±0.25	15.5min	11.4±0.25	3.9±0.2	1.22	35.6	43.3	1541	9.2	1600	1700	2400
EI28/11	28.0±0.6	17.3±0.25	10.7±0.3	7.3±0.3	18.6min	13.0±0.25	3.5±0.25	0.6	83.6	50	4182.9	24.6	3200	3300	4150
EI30/11	30.0±0.6	21.5±0.3	10.65±0.3	10.6±0.3	19.8min	16.8±0.3	5.65±0.3	0.55	107	59.3	6357	36.5	3500	3600	4500
EI30A	32.6±0.4	21.5±0.3	10.7±0.3	10.70±0.3	23.0min	16.5±0.3	5.5±0.3	0.59	104	61.8	6431	38.7	3500	3600	4500
EI33	33.0±0.7	24.2±0.3	12.7±0.3	9.70±0.3	23.8min	19.5±0.3	5.0±0.3	0.57	117.8	67.4	7940	47.8	3800	4000	4900
EI40/12	40.0±0.8	27.3+0.6/-0	12.0+0/-0.6	12.2+0/-0.6	27.3min	20.3+0.6/-0	7.5±0.3	0.52	147	77.8	11473	65.5	4200	4400	5400

## EM 型磁芯 (CORE EM TYPE)

用途：高频功率变压器、扼流圈、电子变压器、电子镇流器

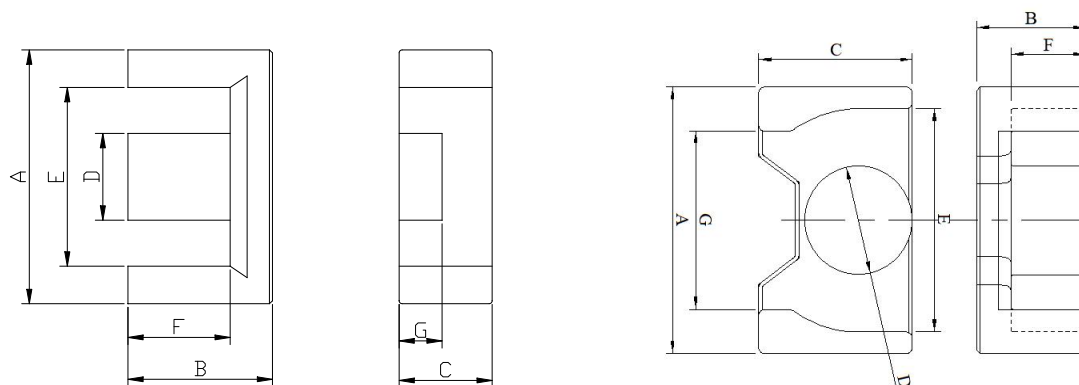
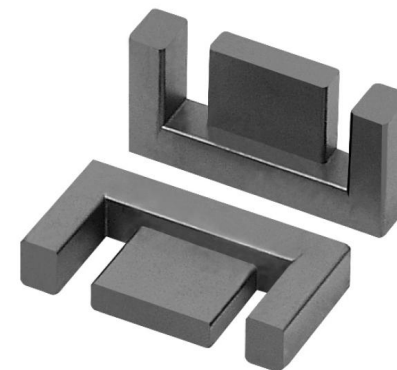


FIG1

FIG2



规格	F I G	尺寸 (mm)							有效磁路参数					AL±25% (nH/N <sup>2</sup> )		
		A	B	C	D	E (min)	F	G	C1 (m m <sup>-1</sup> )	Ae (m m <sup>2</sup> )	Le (mm)	Ve (mm <sup>3</sup> )	Weight (g)	YR28	YR48	YR98
EM13/14	1	13.1± 0.4	7.0± 0.15	4.0±0.2	5.0± 0.2	9.8min	5.5±0. 2	2.2+0.1/- 0.2	2.89	11.5	33.3	383.4	2.15	700	730	900
EM13.1	1	13.1± 0.3	6.0±0.15	3.4±0.2	6.8±0.2	10.0± 0.2	3.9± 0.15	1.8±0.15	2.20 4	11.9	26.31	313.08	3.1	700	730	900
EM13F	1	13.5± 0.3	7.4±0.1	4.6±0.2	5.1±0.1	10.4 min	5.±0.2	2.2±0.15	2.24	13.8	31.84	442.2	3.1	900	960	1200
EM14A	1	14.0± 0.3	7.1±0.2	4.0±0.2	5.0±0.2	11.0± 0.2	5.6 ± 0.2	2.25±0.2	2.93	11.9	34.63	408.3	2.5	850	900	1000
EM15	1	15.5 ± 0.4	6.55±0.2	5.0±0.2	6.4±0.2	11.7 min	4.75 ± 0.2	2.4±0.2	2.12	15.3	32.6	499.5	3.3	900	950	1150

规格	FIG	尺寸 (mm)							有效磁路参数					AL±25% (nH/N <sup>2</sup> )		
		A	B	C	D	E (min)	F	G	Cl (m m <sup>-1</sup> )	Ae (m m <sup>2</sup> )	Le (mm)	Ve (mm <sup>3</sup> )	Weight (g)	YR28	YR48	YR98
EM15.7	1	15.7± 0.3	6.8±0.2	5.0±0.2	6.2±0.2	11.9 min	4.8±0.2	2.3±0.1	1.91 3	16.5 5	31.65	523.76	3.4	880	960	1200
EM15.7A	1	15.9± 0.3	6.8± 0.2	5.0 ± 0.2	6.3± 0.2	12.0mi n	4.8± 0.2	2.3± 0.1	1.93	16.5 5	31.93	528.45	3.45	880	960	1200
EM20/17	2	21.5± 0.35	8.8±0.15	12.5±0.3	8.8±0.15	18.00 ±0.3	6.0±0.2	14.0min	0.59	69.0 4	40.72	2811	15.5	3700	3900	4800
EM43.5/5 3	1	43.5± 0.7	26.6±0.25	6.35±0.2	21.6±0.3	29.0± 0.5	18.8± 0.25	4.1±0.2	1.20	91.7	110.0	10087	55.7	1900	2000	2500
EM43.4/4 5	1	43.4± 0.7	22.4±0.25	8.0±0.25	22.5±0.4	33.20min	17.3± 0.25	3.2±0.2	1.35	75.9	102.7	7795	42.8	1700	1750	2200

## EPC 型磁芯 (CORE EPC TYPE)

用途：高频功率变压器、扼流圈、电子变压器、电子镇流器

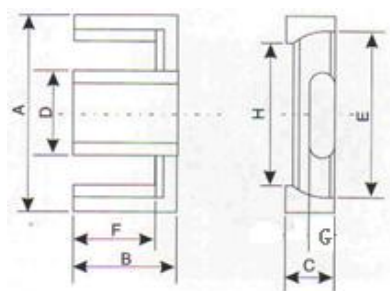


FIG1

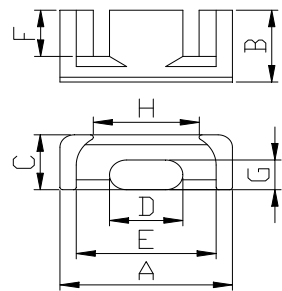


FIG2

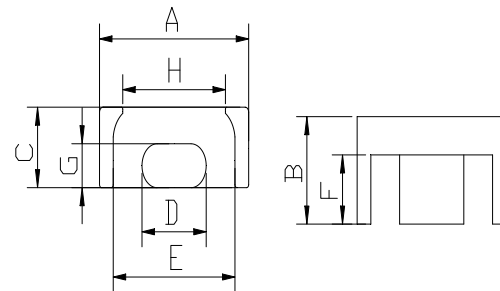


FIG3

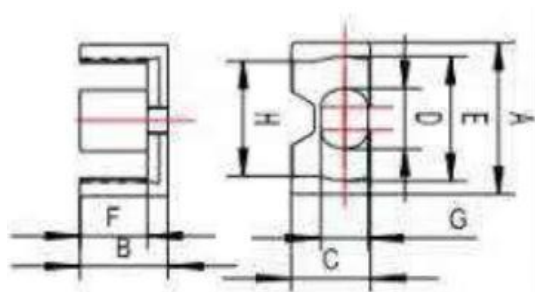


FIG4

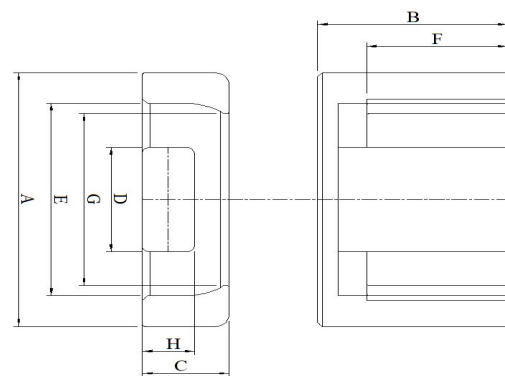
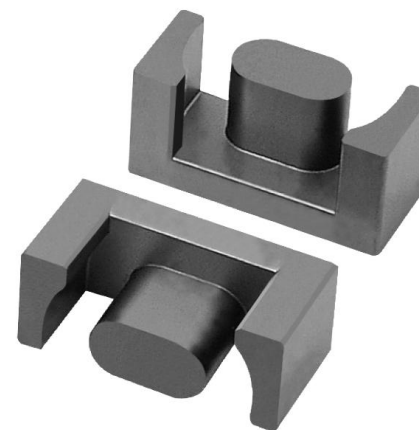


FIG5





规格	FIG	尺寸 (mm)								有效磁路参数					AL±25% (nH/N <sup>2</sup> )		
		A	B	C	D	E (min)	F	G	H	C1 (mm <sup>-1</sup> )	Ae (mm <sup>2</sup> )	Le (mm)	Ve (mm <sup>3</sup> )	Weight (g)	YR28	YR48	YR98
EPC13A/13	1	13.7±0.4	6.65±0.2	4.6±0.2	5.5±0.2	11.0 min	4.7 ± 0.2	2.1±0.2	8.8 min	2.5	12.0	30.0	360	2.5	850	880	1050
EPC13.3	1	13.3±0.3	6.9±0.2	4.6±0.2	5.6±0.2	10.5 min	4.8 ± 0.2	2.5±0.1	8.3 min	2.34	12.79	28.76	367.8	2.5	850	880	1050
EPC17/17	1	17.8±0.4	8.50±0.2	6.0±0.2	7.6±0.2	14.6 min	6.20±0.2	2.8±0.2	11.8 min	2.04	20.0	40.8	817	4.9	1150	1250	1700
EPC17VE	2	17.9±0.4	8.60±0.2	6.65±0.2	7.7±0.2	14.0 min	5.65±0.2	3.6±0.2	10.5min	1.32	28.4	37.6	1070	6.8	2100	2200	2700
EPC17C/9 (EPC17S)	3	17.5±0.4	4.6±0.2	8.5±0.25	7.7±0.2	14.0 min	3.0±0.15	3.8±0.2	10.5min	0.98	25.0	24.6	617	4.89	2200	2300	2850
EPC18/17	2	18.0±0.3	8.5±0.2	6.65±0.2	7.65±0.15	14.2 min	5.55±0.2	3.6±0.2	10.6min	1.32	28.2	37.3	1050.3	6.96	1600	1650	2100
EPC19/20	1	19.3±0.5	10.0±0.2	6.0±0.2	8.5±0.25	15.8 min	7.5±0.2	2.4±0.15	13.1 min	2.24	21.2	47.5	1007	5.9	950	1000	1250
EPC19B/17	2	19.4±0.4	8.6±0.2	7.25±0.2	8.6±0.2	14.6 min	5.6±0.2	4.6±0.2	11.1 min	1.03	37.1	38.1	1416.5	9.2	2200	2300	2800
EPC22/18	3	21.7±0.45	9.4±0.2	9.5±0.25	10.0±0.2	17.0 min	5.5±0.2	6.0±0.2	12.3 Min	0.719	55.8	40.1	2237.6	12.6	3000	3100	3900
EPC22.5/20	4	22.5±0.3	10.2±0.2	9.2±0.2	9.0±0.2	18.45 ±0.3	7.8±0.2	5.55±0.15	17.1±0.3	1.31	37.12	48.9	1815.6	6.2	1850	2000	2700
EPC22B/20 加大		23.1±0.3	10.2±0.2	9.8±0.25	10.1±0.25	17.3min	7.0±0.2	6.5±0.25	15.0±0.5	0.829	55.75	46.23	2577.3	15.6	2500	2600	3500
EPC22B/20	3	22.7±0.5	10.0±0.2	9.8±0.25	10.1±0.25	17.8±0.5	7.0±0.2	6.5±0.25	15.0±0.5	0.832	56.6	47	2664	15.4	2500	2600	3500
EPC25/25	1	25.3±0.5	12.5±0.2	8.0±0.25	11.3±0.25	20.8 min	9.2±0.2	4.0+0.1/-0.2	17.0 min	1.38	41.9	57.7	2417.6	14.3	1600	1700	2100

规格	FIG	尺寸 (mm)								有效磁路参数					AL±25% (nH/N <sup>2</sup> )		
		A	B	C	D	E (min)	F	G	H	Cl (mm <sup>-1</sup> )	Ae (mm <sup>2</sup> )	Le (mm)	Ve (mm <sup>3</sup> )	Weight (g)	YR28	YR48	YR98
EDC2537	3	25.0±0.5	18.0±0.15	20±0.4	8.0±0.2	20.15±0.5	13.0±0.2	14.5±0.25	16.0 min	0.728	107	78	8346	57	3400	3500	4300
EPC29/34	3	28.6±0.5	17.2+0.2/-0.1	12.4±0.25	12.0±0.25	23.2 min	12.85+0.2/-0.1	7.4±0.25		0.91	83.66	76.5	6400	38	2700	2800	3100
EPC31.5/43	1	31.5±0.6	21.5±0.25	11.2±0.25	11.2±0.25	14.5±0.3	23.0±0.55	17±0.25	5.3±0.25	1.069	79.28	84.73	6717.38	22	2200	2300	2900
EPC3950	5	39±0.5	25±0.25	17±0.35	14.5±0.25	29.5min	20.1±0.25	25.4 min	11.2±0.25	0.663	168.58	111.8	18846.92	101	3900	4100	5100

# EQ 型磁芯 (CORE EQ TYPE)

用途：高频功率变压器、扼流圈、电子变压器、电子镇流器

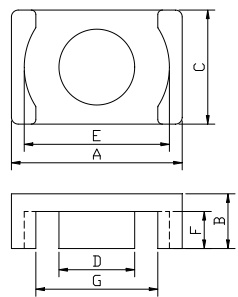


FIG1

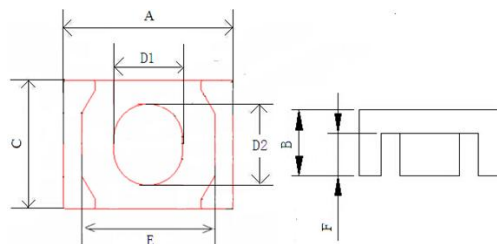


FIG2

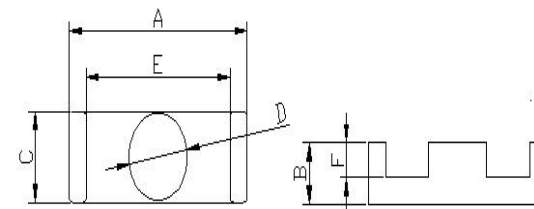


FIG3

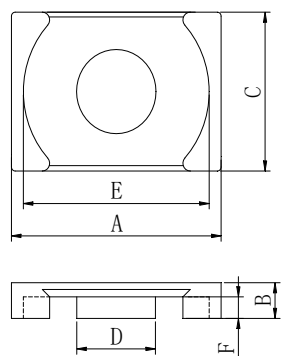


FIG4

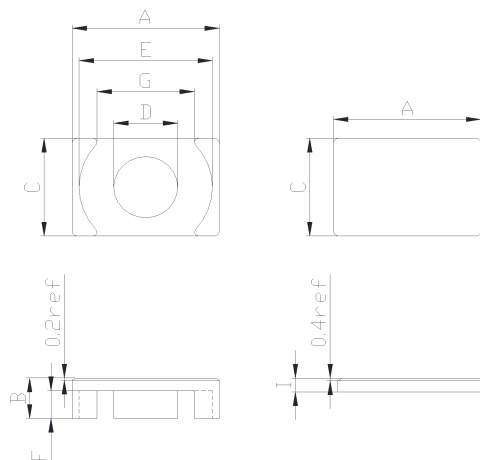


FIG5

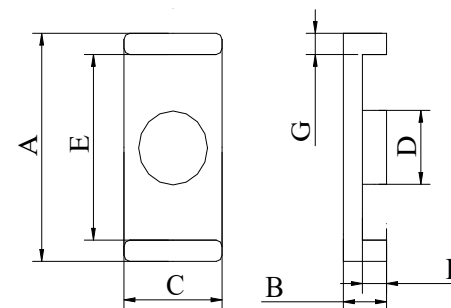


FIG6

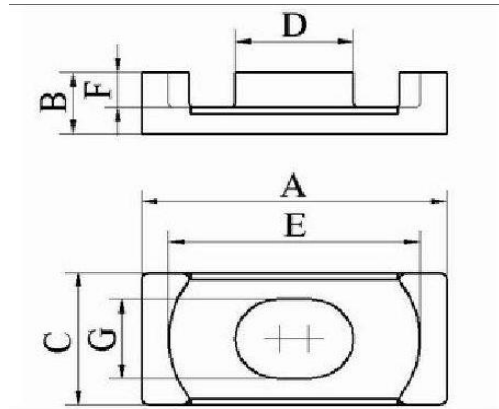


FIG7

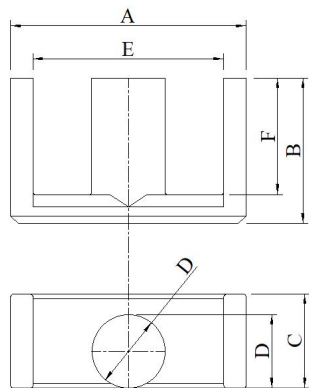
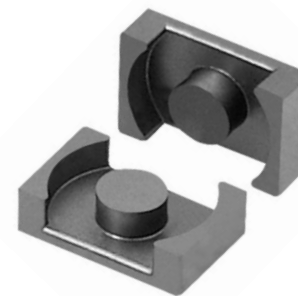


FIG8



规格	尺寸 (mm)									有效磁路参数					AL±25% (nH/N <sup>2</sup> )		
	FIG	A	B	C	D	E (min)	F	G (min)	I	C1 (mm <sup>-1</sup> )	Ae (mm <sup>2</sup> )	Le (mm)	Ve (mm <sup>3</sup> )	Weight (g)	YR28	YR48	YR98
EQ12.9	11	12.9±0.3	3.05±0.15	6.25±0.2	4.2±0.15	10.0min	2.05±0.15			1.259	14.14	17.81	251.9	1.9	1150	1200	1500
EQ18/13	11	18.4±0.4	6.7±0.2	7.5±0.2	7.5±0.2	14.7±0.4	4.55±0.2	13.7±0.4		0.83	38.44	32.12	1235	7	2300	2400	3000
EQ20.6/10	1	20.6±0.6/-0.4	5.0±0.15	10.0±0.3	7.8±0.25	17.0±0.4	2.9±0.15	6.0±0.2		0.67	41.45	27.96	1159.6	7.5	2400	2500	3600
EQ21/11	1	21.0±0.5	5.4±0.15	14.0±0.3	8.8±0.20	17.8	3.2±0.15	14.0		0.52	61.5	31.8	1955	12.6	3800	4000	5000
EQ21/12	1	21.0±0.5	6.3±0.15	14.0±0.3	8.8±0.20	17.8	4.1±0.15	13.8		0.58	61.5	35.4	2176	13	3500	3650	4550
EQ23A/13 (EC23/13)	8	23.1±0.4	13.5±0.2	9.2±0.2	7.2±0.2	18.7±0.4	11.0±0.2			1.542	64.38	41.74	2687.49	15	1550	1600	2000
EQ2416	1	24.0±0.4	8.3±0.2	12.0±0.3	8.8±0.25	18.6±0.4	5.7±0.25			0.68	62.5	42.9	2683	15.6	3000	3100	3900
EQ25/13	1	25.0±0.5	6.6±0.15	18.0±0.3	11.0±0.2	22.0±0.5	4.1±0.15	16.5		0.40	93.39	37.8	3530	22.3	5000	5200	6500

规格		尺寸 (mm)							有效磁路参数					AL±25% (nH/N <sup>2</sup> )			
		A	B	C	D	E(min)	F	G (min)	I	C1 (mm <sup>-1</sup> )	Ae (mm <sup>2</sup> )	Le (mm)	Ve (mm <sup>3</sup> )	Weight (g)	YR28	YR48	YR98
EQ27/13	1	27.0±0.5	6.7±0.15	18.2±0.3	11.0±0.2	22.8±0.4	4.2+0.2/-0.15	19.0		0.391	96.6	37.8	3657.5	22.5	5200	5400	6800
EQ27.5/14	1	27.5±0.5	7.05±0.15	18.3±0.3	11.1±0.2	23.2±0.5	4.55±0.15	19.4 MIN		0.402	98	39.5	3879.1	24.2	4800	5000	6400
EQ26/13	1	26.0±0.5	6.6+0.2/-0.15	17.5±0.3	11.2+0.15-0.3	21.9	4.2+0.2/-0.15	16.6		0.42	95.2	40.6	3870	21.4	5100	5300	6700
EQ27.5A/13	1	27.5±0.5	6.6±0.15	18.1±0.3	11.1±0.15	23.8 min	4.2±0.15	19.3 min		0.493	85.3	42.1	3596.3	22	5100	5000	6400
EQ27.6/14	1	27.6±0.5	6.5±0.20	17.5±0.35	11.2±0.2	23.5 min	4.4±0.2	19.0min		0.45	91	41.34	3762	22.6	5200	5400	6800
EQ28/12	1	28.0±0.5	6.25±0.15	20.0±0.3	11.3±0.2	24.2±0.5	3.8±0.15	19.5		0.35	103.6	36.8	3812	25.8	6000	6200	7800
EQ28/14	1	28.0±0.5	7.25±0.15	20.0±0.3	11.3±0.2	24.2±0.5	4.8±0.15	19.5		0.39	104	40.8	4243.2	27.7	5500	5700	7200

规格	尺寸 (mm)									有效磁路参数					AL±25% (nH/N <sup>2</sup> )		
	FI G	A	B	C	D	E (min )	F	G(min)	I	Cl (mm <sup>-1</sup> )	Ae (mm <sup>2</sup> )	Le (mm)	Ve (mm <sup>3</sup> )	Weight (g)	YR28	YR48	YR98
EQ30/19	1	30.0± 0.6	9.6± 0.2	20.3 ±0.4	13.3 ±0.3	25.0	6.5± 0.2	20.8		0.36	133.7	49.2	6578	40.0	5400	5600	7000
EQ31/14	1	31.5± 0.5	7.0± 0.2	20.3 ±0.3	13.25 ±0.25	26.5	4.2± 0.2	21.8		0.33	124	41.2	5111	30.0	6200	6500	8100
EQ31.8/14	2	31.8 +0.6/-0.4	7.8±0.2	24.0 ±0.3	13.05 ±0.25	24.8	4.45 ±0.2	15.15 ±0.5		0.34	155	52.5	8152	50.6	7000	7300	9100
EQ31.5/12 /20.3	1	31.5± 0.6	6.25± 0.2	20.3 ±0.3	13.3 ±0.3	26.5	3.95 ±0.2	21.8		0.307	121.0	37.2	4503. 5	28.0	5400	5600	7000
EQ31.5/24 /20.3	1	31.5± 0.6	12.0± 0.2	20.3 ±0.3	13.3 ±0.3	26.5	9.2± 0.2	21.8		0.464	130.5	60.6	7908. 3	46.0	4600	4800	6000
EQ32/13	1	32±0.3	6.7± 0.15	20.5± 0.3	13.4± 0.25	27.2 ±0.3	4.25 ±0.1	20.6± 0.3		0.29	42.58	118.21	5034. 26	32	6300	6600	8200
EQ33/14	1	33.0±0.6	7.2± 0.2	25.0± 0.4	14.7± 0.25	28.4m in	3.9± 0.2	24.4		0.28	165	46.7	7710	42	7700	8000	10000
EQ33B/10	4	33.0±0.6	5.2± 0.2	23.6± 0.4	12.5± 0.25	28.8m in	3.1± 0.2	17.4		0.3	115.6	35	4050. 9	30.5	6500	6800	8500
EQ33C/19	1	33.3±0.5	9.75± 0.15	23.5± 0.3	12.5+0. 15/-0.2 5	29.5+ 0.5/-0. 4	6.95 ± 0.15	21.15 ±0.5		0.368	138.5	50.96	7057. 96	47.3	4600	4800	6000

规格	尺寸 (mm)									有效磁路参数					AL±25% (nH/N <sup>2</sup> )		
	F I G	A	B	C	D	E (min )	F	G(min)	I	Cl(mm <sup>-1</sup> )	Ae(mm <sup>2</sup> )	Le(mm)	Ve(mm <sup>3</sup> )	Weight(g)	YR28	YR48	YR98
EQ34A/13.5/19	7	34.5±0.4	6.75±0.15	19.0±0.3	16.0±0.2	30.0±0.4	3.0±0.15	24+0.3 /-0.2		0.323	136.5 2	44.05	6014.02	36.4	6600	7000	8600
EQ35/17	3	35.2±0.5	8.5±0.2	12.5±0.35	12.0±0.3	27.9±0.5	4.75±0.2			0.50	97.3	49.0	4767	28	4200	4400	5500
EQI36	5	35.9±0.4	10.0±0.15	24.0±0.25	31.0±0.4	15.0±0.15	6.65±0.15	22.5 MIN	3.35±0.15	0.263	173	44.2	7700	45.5	9100	9400	12200
EQ38/14	1	38.0±0.5	7.0±0.2	28.0±0.4	16.3±0.15	33.0±0.5	3.5±0.2	27.5 min		0.174	239.5 5	41.65	9977.11	61.4	9000	9200	12000
EQ40A/15.7	1	40.0±0.6	7.85±0.2	28.4±0.4	15.9±0.3	36.2±0.6	5.15±0.2	28.4 min		0.27	180.6	48.7	8796.2	57	9100	9500	11800
EQ40/20	4	39.8±0.6	10.2±0.2	32.4±0.4	19.0±0.3	35.8	6.7±0.2	22.8		0.21	283	59	16700	88.8	9200	9600	12000
EQ40B/20	4	39.8±0.6	10.2±0.2	32.5+0.5/-0.3	19.0±0.25	35.4min	6.7±0.2	27.5min		0.26	247.1	63	15568.9	87.5	7900	8200	10500
EQI4008	5	40.5±0.6	5.8±0.15	40.5±0.6	17.0±0.3	37.5±0.6	3.8±0.2	22.0±0.6	2±0.15	0.234	202	47.3	9558	56.4	7700	8000	10000
EQ47/37	1	47.0+0.3/-0.6	18.6±0.2	28±0.4	18±0.25	39.5 MIN	13.6±0.2	31min		0.335	273	91.6	25009	125	4800	5000	6200
EQ49/39	4	49.0±0.8	19.5±0.15	32.0±0.5	22.0±0.35	40.0±0.8	13.5±0.2	28.0min		0.22	390	90	35100	213	9200	9600	12000
EQ52/12	6	52.0±1.0	6.0±0.15	20.00±0.3	17.00±0.3	42.0±0.5	3.5±0.3			0.416	120.7 3	50.2	6060.83	54	5600	5800	7000
ED62/30	2	62±0.7	15.0±0.15	42±0.6	18.5±0.2 34±0.3	50.5±0.6	8.5±0.2	45.0 min		0.166	546.0 3	90.4	49362.5	274	13800	14400	18000

# PQ 型磁芯 (CORE PQ TYPE)

用途：高频功率变压器、扼流圈、电子变压器、电子镇流器

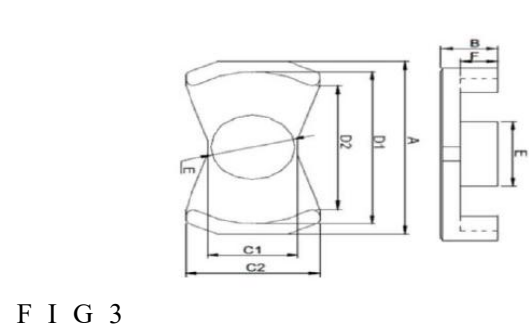
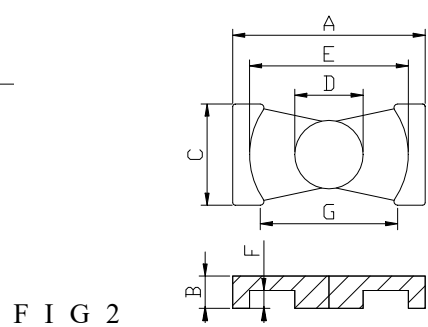
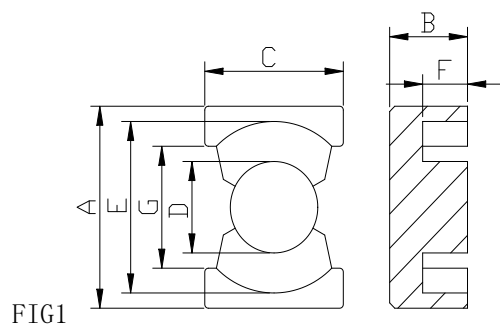


FIG1

FIG2

FIG3

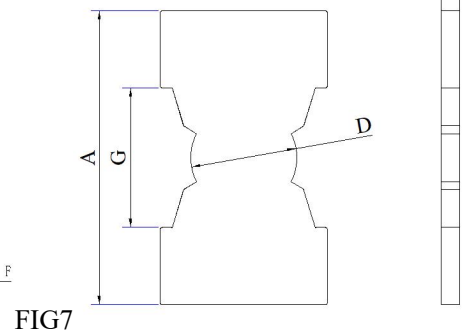
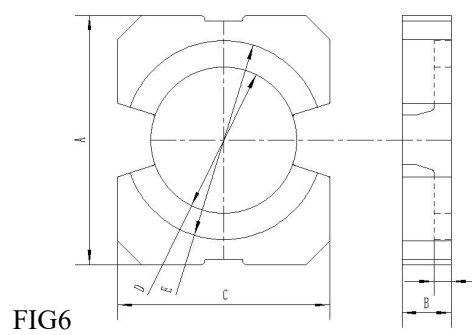
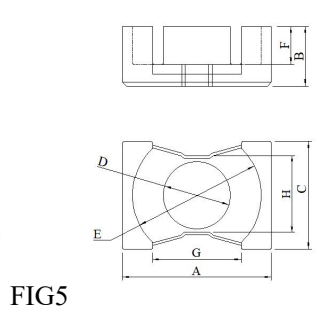
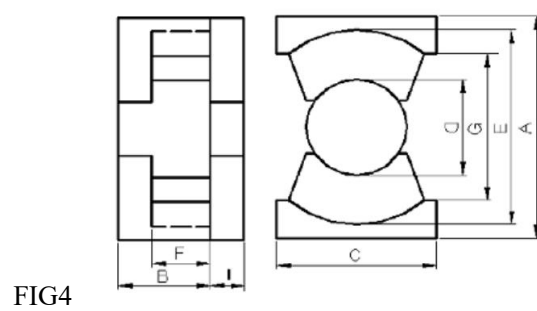


FIG4

FIG5

FIG6

FIG7

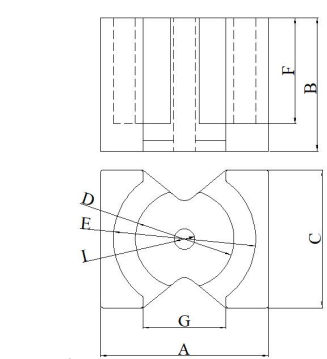
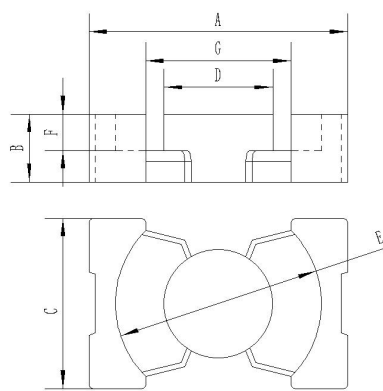


FIG8

FIG9



规格	尺寸 (mm)								有效磁路参数					AL±25% (nH/N <sup>2</sup> )		
	FIG	A	B	C	D	E (min)	F	G	Cl (m m <sup>-1</sup> )	Ae (m m <sup>2</sup> )	Le (mm)	Ve (mm <sup>3</sup> )	Weight (g)	YR28	YR48	YR98
PQ20/16	1	20.8 ±0.6	8.3 ±0.2	14.0 ±0.4	8.8 ±0.2	18.4 min	5.45 ±0.2	13.5min	0.71	56.9	40.3	2294	13.7	3000	3100	4000
PQ20/20	1	20.8 ±0.6	10.15 ±0.2	14.0 ±0.4	8.8 ±0.2	18.4 min	7.3 ±0.2	13.5min	0.83	56.9	47.4	2697	16.1	2400	2500	3100
PQ20.5A/ 16.5	1	20.5± 0.3	8.3± 0.15	14.0±0.3	8.8± 0.2	18.1± 0.3	5.7± 0.15	12.0min	0.64 3	60	38.6	2316	14	3100	3200	4200
PQ22/16	1	22.0 ±0.5	8.3 ±0.2	13.9 ±0.4	8.8 ±0.25	18.4 min	5.3 ±0.2	13.5 min	0.63	63	39.6	2494	15.8	3100	3200	4200
PQ22/20	1	22.0 ±0.5	10.0 ±0.2	13.9 ±0.4	8.8 ±0.25	18.4 min	7.0 ±0.2	13.5 min	0.73	63	46.3	2927	18.7	2700	2800	3500
PQ22A-20	1	22.1± 0.5	10.45± 0.2	14.0± 0.35	8.7± 0.2	19.5± 0.5	7.5± 0.2	14.5min	0.83	59.8 8	50.09	2999.3	17.5	2700	2800	3500
PQ22.2/1 6.2	5	22.2± 0.4	8.1± 0.15	16.0±0.3	10.0± 0.2	19.2± 0.35	5.15± 0.15	13.2± 0.35	0.52	82.5	42.98	3545.8	19.2	3100	3200	4200
PQ23/16	1	23±0.5	8.25± 0.2	14.0± 0.35	8.8± 0.2	20.5± 0.5	5.35± 0.2	15.9± 0.5	0.67	59.3 6	40.22	2387.9	15.4	3100	3200	4200
LQ25-16. 8	2	25±0.4	8.45± 0.2	17.0±0.3	10.8± 0.2	21.8± 0.4	5.45± 0.2	16±0.4	0.49	83.1 4	43.24	3744.6 3	23	4300	4500	5800
PQ26/20	1	26.5±0.5	10.2± 0.25	19.0±0.45	12.0± 0.25	22.5± 0.45	5.9±0.2	15.5min	0.38	119. 6	45.9	5490	31.8	5400	5500	7500
PQ26/25	1	26.5±0.5	12.5± 0.25	19.0±0.45	12.0± 0.25	22.5± 0.45	8.2±0.2	15.5 min	0.47	120	57.4	6888	39.4	4200	4500	5800
PQ26.5/ 35(带槽)	1	26.5±0.5	17.5 ±0.25	19±0.4	12±0.25	22.6± 0.5	15.4± 0.25	15.8± 0.5	0.77	95.4	73.8	7045.6	48	3100	3200	4200
PQ27B/20	1	27.0± 0.5	10.2± 0.2	19.0± 0.45	12.0± 0.25	22.8	6.2± 0.2	16.8	0.40	113	47.2	5336.6	34	5000	5200	6500

规格	尺寸 (mm)								有效磁路参数					AL ± 25% (nH/N <sup>2</sup> )		
	FIG	A	B	C	D	E (min)	F	G	Cl (m m <sup>-1</sup> )	Ae (m m <sup>2</sup> )	Le (mm)	Ve (mm <sup>3</sup> )	Weight (g)	YR28	YR48	YR98
PQ27B/25	1	27.0± 0.5	12.5± 0.25	19.0± 0.45	12.0± 0.25	22.8	8.5± 0.25	16.8	0.5	112	56.4	6316.8	38.2	4300	4500	5600
PQ27/25	2	27.6 ±0.5	12.5± 0.25	18.8±0.3	11.9±0.3	22.8min	8.5± 0.25	16.8 min	0.52	114	58.8	6703.2	37.8	4500	4600	5600
PQ27C/20	1	27.0±0.5	10.3±0.2	19.0±0.35	12.0± 0.2	22.5min	5.85± 0.2	17.0min	0.40	118. 93	45.7	5435.9	34	5000	5200	6500
PQ27/20	2	27.6 ±0.5	10.1 ±0.25	18.8±0.3	11.9± 0.3	22.8min	6.1± 0.25	16.8 min	0.44	113	49.5	5594	32	5000	5200	6400
PQ28.5-1 5	8	28.5±0.5	7.5±0.2	18.8±0.35	12.0± 0.2	22.7± 0.5	4.0±0.2	16±0.5	0.32	112. 4	36.1	4066.2	28	5300	5700	6900

规格	尺寸 (mm)								有效磁路参数					AL±25% (nH/N <sup>2</sup> )		
	FIG	A	B	C	D	E (min)	F	G	C1 (m m <sup>-1</sup> )	Ae (mm <sup>2</sup> )	Le (mm)	Ve (mm <sup>3</sup> )	Weight (g)	YR28	YR48	YR98
PQ32/20	1	32.0 ±0.5	10.3 ±0.2	22.0 ±0.45	13.45 ±0.30	26.8min	5.8± 0.2	19.0 min	0.34	163.3	55.2	9007	46.5	5800	6000	7500
PQ32/25	1	32.0 ±0.5	12.8 ±0.2	22.0 ±0.45	13.45 ±0.30	26.8 min	8.3 ±0.2	19.0 min	0.40	164	65.2	10690	54.5	5100	5300	6800
PQ32/30	1	32.0± 0.5	15.20 ±0.2	22.0± 0.45	13.45± 0.3	26.8min	10.7± 0.2	19.0 min	0.46	164.5	75.7	12447	60.5	4500	4600	6000
PQ33/20	1	33.0 ±0.5	10.3 ±0.2	21.6±0.4 5	13.4 ±0.30	27.5min	5.8± 0.2	21.0min	0.34	161.5	55.6	8979.4	46.4	6300	6600	8200
PQ33/30	1	33.0 ±0.5	15.2±0.2	21.6±0.4 5	13.4 ±0.30	27.5min	10.7± 0.2	21.0min	0.47	162.6	77	12520. 2	61.2	4500	4600	6000
PQ33B/21	1	33.0± 0.5	10.7± 0.15	21.7± 0.5	13.4±0.3	28.0min	6.1±0.15	20.7min	0.34	161.9 3	56.013	9070.2	48	4600	4800	6000
PQ34/13.5/ 29	6	34±0.6	6.75± 0.1	29±0.6	20±0.3	26.8min	2.35± 0.15			261.8 5	29.86	7821.2	60	13200	13600	17000
PQ34/32	1	34.2±0.5	16.0±0.2 5	23.5±0.5	15.0±0.2	29.6±0.5	11.0± 0.25	23.5±0.5	0.41 6	192.5	80.1	15419. 2	71.8	4800	5000	6300
PQ35/17	3	35.0± 0.6	8.7± 0.2	15.0± 0.3	29.9± 0.5	13.9±0.3	5.4±0.2	22.6±0.5	0.36	138.1	50.48	6971	40	5500	5700	7200
PQ35/35	1	35.2± 0.6	17.60 ±0.3	26.0± 0.5	14.2± 0.3	31.5min	12.7± 0.3	23.5 min	0.50	177.8	89.5	15913	79.6	4800	4900	5500
PQ35/40	1	35.2± 0.6	20.8± 0.3	26.0± 0.5	14.25± 0.3	31.5min	15.9± 0.3	23.5 min	0.57	181	103	18706	85.6	3800	4000	5000
PQ38/13	2	38.0+0 .7-0.5	6.5± 0.2	21.32± 0.4	14.3± 0.25	32.8+0.7- 0.5	3.5±0.2	26.0min	0.35	130	45.6	5928	41.2	6000	6300	7900
PQ38/16	2	38.0+0 .7-0.5	8.1± 0.2	21.32± 0.4	14.3± 0.25	32.8+0.7- 0.5	4.6±0.2	26.0min	0.35 7	144.1	51.4	7406	43.2	5500	5800	7200

规格	尺寸 (mm)									有效磁路参数					AL±25% (nH/N <sup>2</sup> )		
	FIG	A	B	C	D	E (min)	F	G	I	C1 (m m <sup>-1</sup> )	Ae (mm <sup>2</sup> )	Le (mm)	Ve (mm <sup>3</sup> )	Weight (g)	YR28	YR48	YR98
PQ38B-41	6	38.0± 0.5	9.0± 0.2	41.0± 0.5	23.5± 0.25	32.0± 0.5	4.5±0.2	10.0mi n		0.11	401	60.66	24324.6	112	15000	16000	20000
PQ40/13	2	40.0±0.6	6.7± 0.2	21.0± 0.3	14.2± 0.25	32.5min	3.7± 0.2	26.4 min		0.37	123.0	46.0	5662.3	39.1	5600	5900	7300
PQ40B/40	1	40.5±0.9	20.0±0.2	28.0±0.5	14.9±0.3	35.8min	14.8±0.2	28.2mi n		0.50	205	103	21115	104.8	4300	4500	5600
PQ41.5/40	1	41.5± 1.0	20.2± 0.2	27.8± 0.5	14.9±0.3	37.2±1.0	14.8±0.2	28.2mi n		0.49	190.4	94.1	17918. 99	105	4200	4400	5500
PQ50/51	1	50.0±0.9	25.6±0.2 5	32.0±0.7	20.0±0.4	43.0min	18.3±0.3	32min		0.37	319.6	117.1	37431	216	5900	6200	7750
PQI33A-2.1	7	33.3 ±0.5	2.1±0.2	19±0.35	12±0.2			15.8± 0.5						8.4			
PQI33B/19	4	33.0 ±0.5	14.8±0.1 5	21.7±0.5	13.4 ±0.30	28min	10.25± 0.2	21.0mi n	4.6±0. 1	0.31 5	151	47.7	7203	51.2	6900	7200	9000
PQ60/50/40	1	60 ± 1.2	25.0 ± 0.2	38.4 ± 0.5	24.15 ± 0.3	52.3 min	18 ± 0.25	38.4m in			438. 91	120.12	52720. 1	350	8900	9200	11500
PQ61.7/72/ 35	1	61.70 ± 0.70	36.00 ± 0.20	35.00 ± 0.80	25.00 ± 0.60	53.00 ± 0.70	28.00 ± 0.20	42.10 ± 1.00		0.34 8	471.0	163.9	77200	416	5900	6200	7750
PQ65/60/40	1	65± 1.0	30± 0.45	40± 0.8	25.95 ±0.45	53± 1.0	21±0.5	40± 0.8		0.23	577.6	123.67	71431. 8	460	11500	12000	14000
PQ79/126	9	79± 1.6	63± 0.5	65± 1.3	46.4± 1.0	67± 1.6	50±0.5	39± 1.0	10.0 ± 0.3	0.18	1409. 3	263.1	37082. 2	2120			

# PTS 型磁芯 (CORE CUT TYPE)

用途：高频功率变压器、扼流圈、电子变压器、电子镇流器

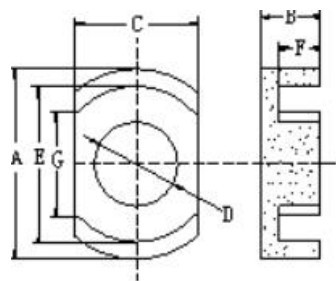


FIG1

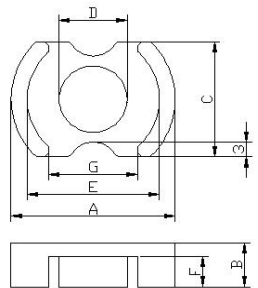


FIG3

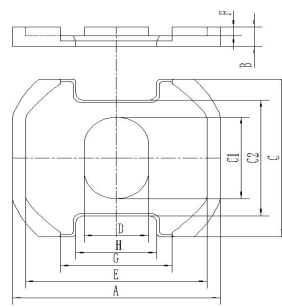


FIG3

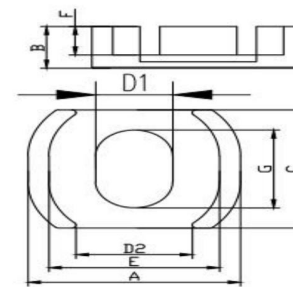


FIG4

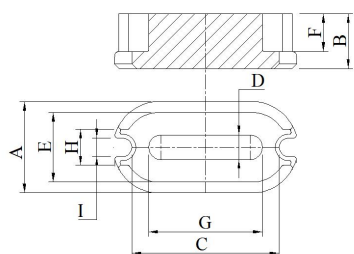
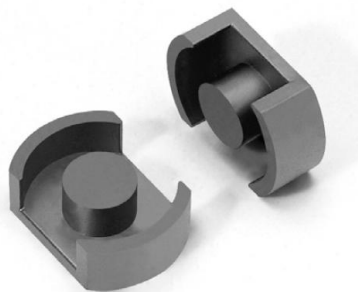


FIG5



规格	尺寸 (mm)								有效磁路参数					AL±25%(nH/N <sup>2</sup> )		
	FI G	A	B	C	D	E (min)	F	G(min)	C1 (mm <sup>-1</sup> )	Ae (mm <sup>2</sup> )	Le (mm)	Ve(mm <sup>3</sup> )	Weight (g)	YR28	YR48	YR98
PTS20-10	5	9.9+0.2/-0.3	5.0+0.2/-0	15.95±0.15	2.8+0/-0.3	7.35+0.4/-0.05	3.5+0.2/-0	12.65+0/-0.6	0.52	45	23.4	1053	6.2	3300	3400	4200
PTS30/19	1	30.0±0.6	9.5±0.20	20.3±0.30	12.4±0.25	24.0	6.50±0.20	17.5	0.43	119	50.8	6054	34.8	4900	5100	6400
PTS33/19	1	33.2±0.6	9.7±0.20	23.70±0.30	13.5±0.30	27.0	6.7±0.20	18.20	0.38	142.9	54.1	7727	42.7	5500	5700	7100
PTS33B/19	1	33.2±0.6	9.7±0.20	23.70±0.30	13.5±0.30	26.2	6.7±0.20	18.20	0.32	154.8	50.0	7740	43.2	6000	6200	7800

规格	尺寸 (mm)								有效磁路参数					AL±25%(nH/N <sup>2</sup> )		
	FI G	A	B	C	D	E (min)	F	G(min)	C1 (mm <sup>-1</sup> )	Ae (mm <sup>2</sup> )	Le (mm)	Ve(mm <sup>3</sup> )	Weight (g)	YR28	YR48	YR98
PTS33/14	1	33.2±0.6	7.3±0.15	23.70±0.30	13.5±0.30	27.0	4.3±0.15	18.20	0.31	142.8	44.5	6350	35.8	6300	6500	8200
PTS40/18	1	40.1±0.6	9.15±0.25	28.3±0.4	16.0±0.3	32.9min	5.55±0.25	21.0min	0.27	205.4	55.5	11400	62.0	8000	8300	10400
PTS40/20	1	40.1±0.6	10.2±0.25	28.3±0.4	16.0±0.3	32.9min	6.7±0.25	21.0min	0.27	209.5	56.4	11815.8	68	7500	7800	9800
CC33/17H	2	33.3±0.5	8.5±0.2	24.0±0.3	13.8±0.2	26.8±0.4	5.95±0.2	17.2	0.319	145	46.3	6713.5	38.5	6900	7200	9000
PTS4311	3	43±0.6	5.75±0.15	41.0±0.4	13±0.25	38±0.4	2.75±0.15	20.7±0.4	0.224	230	50.6	11674.5	135	9100	9500	11000
PTS44/26	4	43.8±0.6	12.65±0.2	36.22±0.5	D:15.9±0.3 D2:23.7min	35.2±0.6	8.7±0.2	23.82±0.4	0.216	291	62.8	18300	110.24	9200	9600	12000
PTS4611	3	46±0.8	5.6±0.2	43.0±0.7	43.0±0.7	40±0.7	2.55±0.2	22.7±0.6	0.204	220.55	45.08	9941.2	159	9300	9700	12500
PTS50/25	4	50±0.7	12.55±0.15	39.69±0.5	D1:17.42±0.35 D2:28.3±0.6	40.58±0.7	7.85±0.15	26.11±0.45	0.172	415	71.3	29605	158	12000	12500	15800
PTS5111	3	51.3±0.8	5.6±0.15	46.0±0.5	15.9±0.3	44.9±0.7	2.55±0.2	27.6±0.5	0.196	221.1	48.04	10622.1	100	9200	9600	12000

## RM 型磁芯 (CORE RM TYPE)

用途：高频功率变压器、扼流圈、电子变压器、电子镇流器

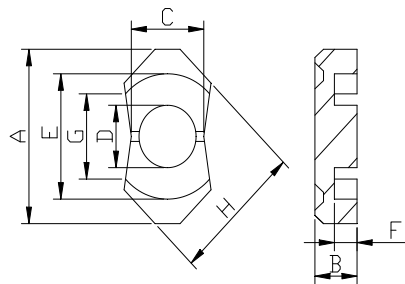


图 1

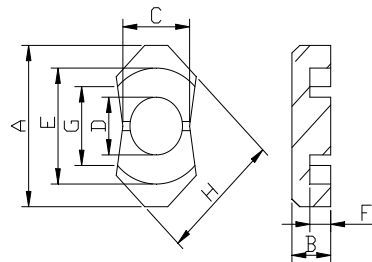


图 2

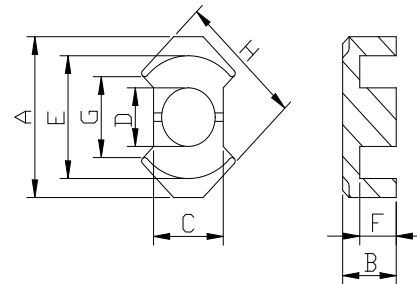


图 3

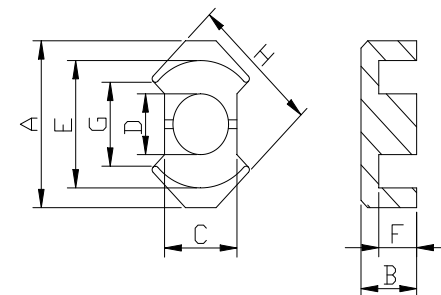


图 4

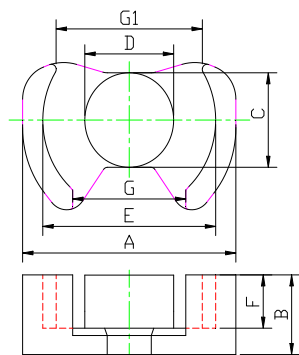
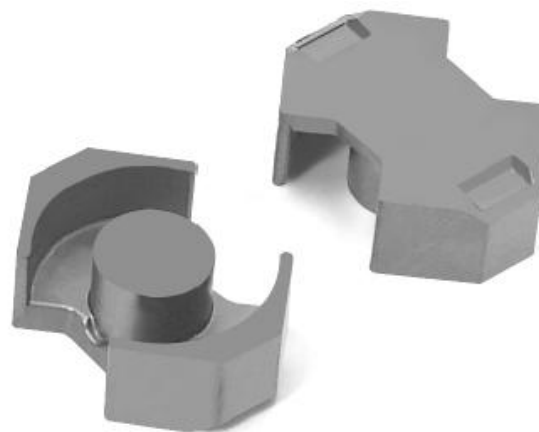


图 5



规格	尺寸 (mm)									有效磁路参数					AL±25% (nH/N <sup>2</sup> )		
	FI G	A	B	C	D	E (min)	F	G (min)	H	C1 (mm <sup>-1</sup> )	Ae (mm <sup>2</sup> )	Le (mm)	Ve (mm <sup>3</sup> )	Weight (g)	YR28	YR48	YR98
RM6/13 卡槽或平底	1/ 2	17.8±0.5	6.50±0.2	8.2±0.25	6.2±0.2	12.4 min	4.50± 0.2	8.4	14.6 ± 0.5	0.86	34.2	29.5	1012	6.4	2200	2300	3000
RM6B/13	1	18.4±0.5	6.5±0.2	8.15± 0.25	6.25± 0.2	13.2min	4.5± 0.2	10.0min	15.4± 0.5	0.97	34.0	33.0	1123	6.6	2200	2300	3000
RM8A 平底	4	22.8±0.5	8.4±0.2	10.8 ± 0.3	8.4±0.2	17.4±0.5	5.75± 0.2	9.8	19.35± 0.5	0.7	59.0	41.2	2443	14.5	3000	3300	3900
RM8A 卡槽	3	22.8±0.5	8.4±0.2	10.8 ± 0.3	8.4±0.2	17.4±0.5	5.75± 0.2	9.8	19.35± 0.5	0.71	58.0	41.0	2378	13.6	3000	3300	4000
RM8C 平底	4	24.0±0.5	7.6±0.15	10.9 ± 0.3	8.65± 0.2	18.2±0.4	4.9± 0.15	11.8	19.9± 0.3	0.64	61.6	39.2	2414	14.3	3100	3200	4400
RM9A 平底	4	25.0±0.5	8.3±0.2	12.8±0.3	10.2± 0.25	19.2 MIN	5.7± 0.2	12.6 MIN	21.6± 0.6	0.59	72.2	42.3	3057.8	20.0	4000	4200	5700
RM9.5/17	5	26.4±0.5	8.65±0.2	11.0 ± 0.25	11.0± 0.25	20.9 MIN	5.45± 0.2	13.6 MIN	17.5 MIN	0.41	98.8	40.5	4001.4	23.8	4600	4800	6000
RM10A 卡槽	3	28.0±0.5	9.4±0.2	13.25 ± 0.3	10.7± 0.25	22.5±0.5	6.4± 0.2	14.5	25.3± 0.5	0.55	88.4	48.9	4323	24.9	4000	4100	5100
RM10B 平底	4	28.20 ± 0.5	9.4±0.2	13.25 ± 0.3	10.7± 0.25	22.0±0.5	6.4± 0.2	14.5	24.2± 0.5	0.55	87.7	48.6	4267.8	24.2	4000	4100	5100
RM10C	4	28.0 ± 0.55	9.6±0.2	13.25 ± 0.3	11.2± 0.3	22.5MIN	6.7± 0.2	14.5MIN	26.0± 0.6	0.56	88.9	50.0	4453	27.2	4600	4800	6000



# UU 型磁芯 (CORE UU TYPE)

用途：高频功率变压器、扼流圈、电子变压器、电子镇流器

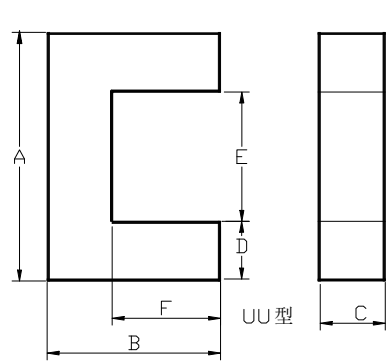


FIG 1

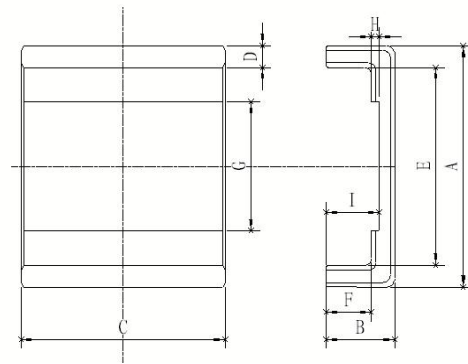


FIG2

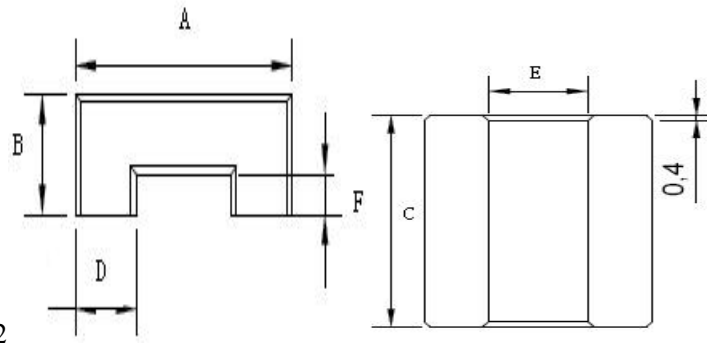


FIG3

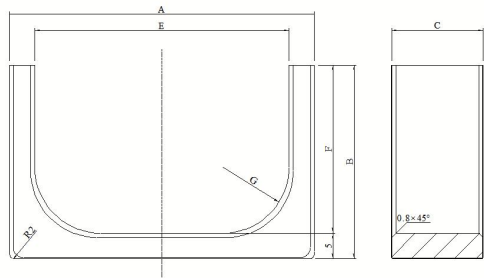


FIG4

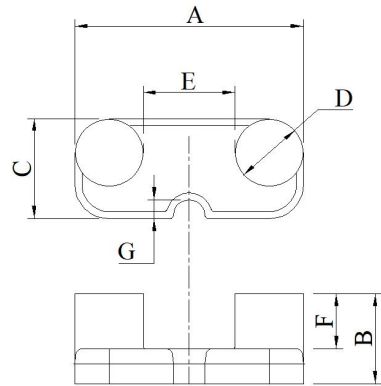


FIG5

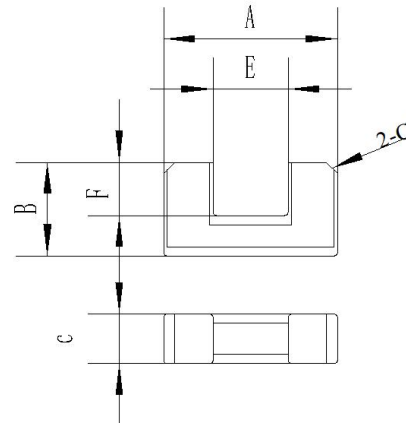
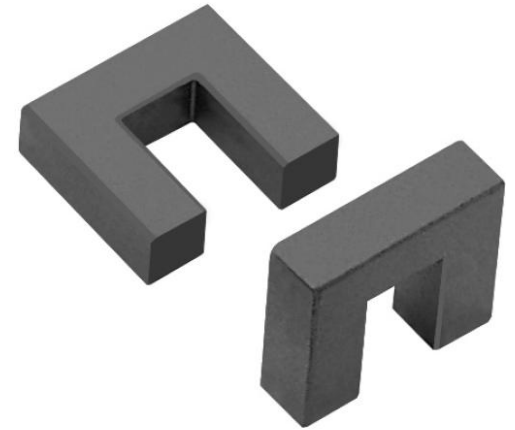


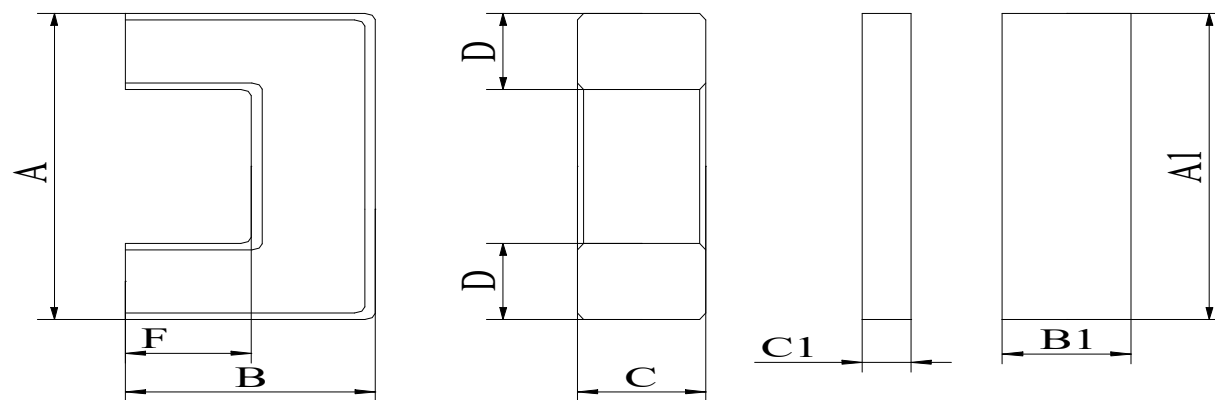
FIG6



规格	尺寸 (mm)										有效磁路参数					AL±30% (nH/N <sup>2</sup> )			
	FI G	A	B	C	D	E (min)	F	G	H	I	C1 (mm <sup>-1</sup> )	Ae (mm <sup>2</sup> )	Le (mm)	Ve (mm <sup>3</sup> )	Weigh t (g)	YR46	YR56	YR66	
UU4.6/1 2/4-M	1	4.6± 0.15	6.0± 0.1	3.6 ±0.15			4.6± 0.1					3.8	26.9	103.5	0.8	1200	1700	2100	
UU8.6	1	8.6± 0.2	6.45± 0.2	3.6± 0.2			4.2+0.2 /-0.1				4.03	7.99	32.1 9	257.2	1.58	1100	1400	2000	
UU9.5/2 .7	6	9.5± 0.15	4.7± 0.15	2.7± 0.2			2.5± 4.1±0.2				4.308	5.79	24.9 4	144.45	1	500/ YR28	520/ YR48	600/ YR98	
UU9.8	1	9.8± 0.3	7.2± 0.2	2.8± 0.2	2.8± 0.2		4.3± 0.2				4.48	7.76	34.7 6	270	1.63	1100	1600	2100	
UU10.5	1	10.5± 0.4	7.9± 0.2	5.0± 0.2	2.5± 0.15		5.4± 0.2				3.26	12.5	40.8	510	3.0	1400	2000	2600	
UU11/12 /3	1	10.5± 0.2	6.4± 0.15	3.2± 0.1			4.25± 0.15				7.3	4.72	34.3 2	162.06	1.55	800 min	1100 min	1400 min	
UU16	1	16.0 ±0.3	10.0 ±0.25	5.9 ±0.2	4.5± 0.2		6.7 min	6.2 ±0.25			2.1	24.35	51.3	1249.1	7.4	1900	3600	3900	
UF16/18	3	16.0± 0.4	6.0± 0.2	18.0± 0.2	4.5± 0.2		7.0±0.2	2.0± 0.2			0.47	75.6	35.6	2689	16.7	4800 YR28	5000 YR48	6000 YR98	
UU18	5	18.25 ±0.25	7.2± 0.15	8.0± 0.2	5.4± 0.1		7.45± 0.2	4.4 ± 0.15	1.5 ± 0.2			22.5	29.9	1190	6.6	YR46 2700	YR56 2800	YR66 3000	
UU23.6- 10.1-25	1	23.6± 0.4	5.05± 0.2	25± 0.3	15± 0.4		0.75± 0.2	23.6± 0.4				107.5	46.5 1	4999.7	30	4900 YR28	5200 YR48	1700 YR98	
UU26.8	2	26.8± 0.4	7.0± 0.2	23.5± 0.3	2.4± 0.1		22.0± 0.3	4.5± 0.15	14.0+0 .5-0.3	0.1 REF	4.6± 0.15	1.83	31.29 4	57.3 4	1794.3	25.2	1100/ YR28	1150/ YR48	1400/ YR28
UU60-38 -18	4	60± 1.0	38±0.4	18± 0.4			50±1.0	33±0.4	13ref			2.486	90	233. 7	20133.7	67	1100/ YR28		
UU60A	4	60±1	30.7 ± 0.5	18.0± 0.5				25.7± 0.5				2.428	90	218. 51	19665.7 2	109	YR28/ 1200	YR48/ 1300	YR981 500

## UI 型磁芯 (CORE UI TYPE)

用途：高频功率变压器、扼流圈、电子变压器、电子镇流器



规格	尺寸 (mm)										有效磁路参数					AL ± 30% (nH/N <sup>2</sup> )		
	FI G	A	B	C	D	E	F	G	H	I	C1 (mm <sup>-1</sup> )	Ae (mm <sup>2</sup> )	Le (mm)	Ve (mm <sup>3</sup> )	Weight (g)	YR46	YR56	YR66
UI42.2	1	42.2 ± 0.4	28.62 ± 0.3	15 ± 0.25	30 ± 0.4	22.45 ± 0.3	42.2 ± 0.4	15 ± 0.25	6.1 ± 0.25		1.28 5	95.2 1	122.3 5	11649.2 7	62.4	4700	5500	6500

# EP 型磁芯 (CORE ECO TYPE)

用途：高频功率变压器、扼流圈、电子变压器、电子镇流器

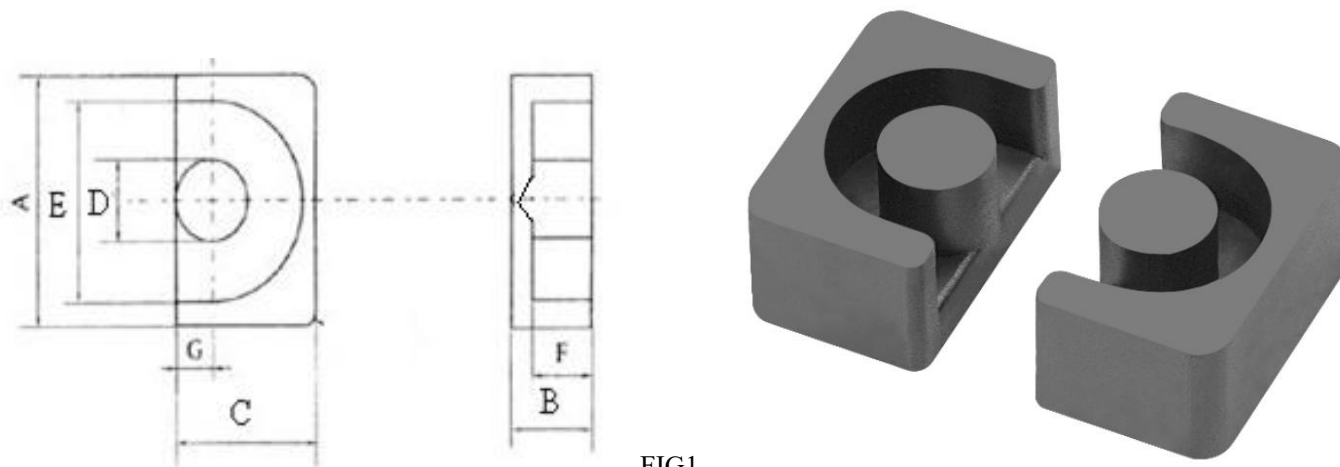


FIG1

规格	尺寸 (mm)								有效磁路参数					AL±30% (nH/N <sup>2</sup> )			
	FI G	A	B	C	D	E (min)	F			C1 (m m <sup>-1</sup> )	Ae (mm <sup>2</sup> )	Le (mm)	Ve (mm <sup>3</sup> )	Weigh t (g)	YR46	YR56	YR66
EP6.0	1	6.0± 0.4	3.1± 0.1	3.8± 0.15	1.7± 0.1	4.4± 0.15	2.3± 0.1			3.51	3.1	10.9	33.79	0.58	1200	1600	2400
GDEP7	1	9.2± 0.4	7.5± 0.40	3.3± 0.2	6.35± 0.3	4.7± 0.2	3.55± 0.2			1.47	10.57	15.54	164	1.9	YR36 1400	YR46 2800 min	YR56 2900 min
EP9.0	1	9.2± 0.4	4.0± 0.2	6.4± 0.2	3.3± 0.2	7.2MIN	2.8± 0.2			1.64	10.3	16.9	174.1	1.9	2800	2900	4000
EP13	1	12.5±0.4	6.5±0.2	8.6±0.2	4.2±0.2	9.7	4.5±0.2			1.04	20	20.8	416	5.6	3300	4700	6600

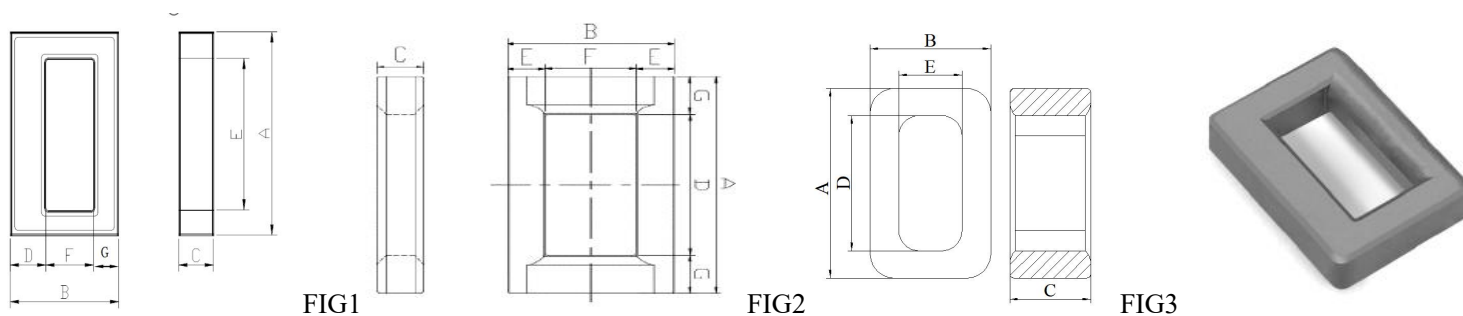


规格	尺寸 (mm)										有效磁路参数					AL±30%(nH/N <sup>2</sup> )		
	FIG	A	B	C/C1/C2/ C3	D/D1/D2	E	F	G	H	I/D1	C1 (mm <sup>-1</sup> )	Ae (mm <sup>2</sup> )	Le(mm )	Ve (mm <sup>3</sup> )	Weight (g)	YR28	YR48	YR98
ATQ21 /17	1	21.0 ±0.5	8.9± 0.2	13.0±0.5	8.2±0.25	17.2± 0.5	6.5 ± 0.2	14.4± 0.5	8.2 ± 0.25	10.6 ±0.5	0.96	60.2	44.6	2684	15.5	3100	3200	4000
ATQ21 .5/14	7	21.5 ±0.4	6.95 ±0.2	14.8±0.3	9.2±0.2	17± 0.4	4.2 ± 0.2	15.7± 0.4	9.7 ± 0.2			74.57	38.42	2865. 3	15.7	4100	4200	5300
ATQ23 /12	8	23.2 ±0.4	5.9± 0.15	19.0± 0.4/16.4± 0.4/10.8± 0.25	20.3± 0.4/13.3± 0.5	11.8± 0.25	3.5 ± 0.15				0.31 6	96.58	30.54	2949. 35	9.4	7700	8000	1000 0
ATQ23 .7/14 .6	2	23.7 ±0.4	7.3± 0.2	17.8±0.3	12.2±0.25	9.6± 0.25	4.3 ± 0.2	14.1+0 .4-0.5	14.7 ± 0.4	/9.6 ± 0.25	0.37 1	103	38.2	3934. 6	22.4	5300	5800	6900
ATQ24 /17/1 8.5	6	24.0+ 0.3/- 0.45	8.5± 0.2	18.5± 0.4/11.8± 0.35	18± 0.2/9.8± 0.35	20.8 min	5.4 ± 0.2	13.15m in/10. 0/7.5/ 7.5			0.73	51.39	73.9	1950. 47	24.2	5200	5700	7200
ATQ24 .9/14 /18.5	5	24.9 ±0.5	6.95 ± 0.15	18.5±0.3 10.3±0.2	22±0.5 15.9±0.5	12.2± 0.25	4.05 ± 0.15				0.38	97.9	37.48	3669. 82	22	5800	6000	7600
ATQ25 /16	2	25.07 ±0.5	8.35 ±0.3	17.76±0.3	13.25±0.4	9.0± 0.3	21.6 ± 0.3	5.4± 0.25	16± 0.3	13.9 ±0.3	0.4	102	40.81	4162	25	5200	5500	6600
ATQ27 /17	3	27± 0.5	8.5± 0.15	22.5±0.5 17.3±0.4 14.2±0.25	23.2±0.5 15±0.5 19.5±0.5	11.2± 0.25	5.6 ± 0.2				0.3	129	50.4	6501. 6	33.8	5200	5500	6500

规格																AL±30%(nH/N <sup>2</sup> )		
	FI G	A	B	C/C1/C2	D/D1/D2/D3	E	F	G	H	I/D1	C1 (mm <sup>-1</sup> )	Ae (mm <sup>2</sup> )	Le (mm )	Ve (mm <sup>3</sup> )	Weight (g)	YR28	YR48	YR98
ATQ27 A	3	27.0 ±0.5	8.45 ±0.2	21.85± 0.3/14.2± 0.3	23.2± 0.5/15.0± 0.5/19.45 ±0.5/	11.2± 0.2	5.55 ± 0.2				0.34 4	42.77	124.1 6	5310. 6	32.5	6100	6400	8200
ATQ28 /15	4	28.0 ±0.3	7.95 ± 0.15	15.95±0.3	23.4±0.3 16.2±0.3	11.6± 0.2 8.05± 0.15	5.25 ± 0.15				0.54 4	83.2	45.33	3772	23	4100	4300	5400
ATQ33 / 26. 5	2	33.0 ±0.5	6.1± 0.1	26.6±0.4		29.2± 0.5	3.3 ± 0.15	16.0± 0.4/19 .8± 0.5	24.0 ± 0.4	13.9 ±0.2	0.37 1	103	38.2	3934. 6	42	7100	6600	8800

# UT 型磁芯 (CORE ECO TYPE)

用途：高频功率变压器、扼流圈、电子变压器、电子镇流器



规格	FIG	尺寸 (mm)							有效磁路参数					AL±30% (nH/N <sup>2</sup> )		
		A	B	C	D	E	F	G	C1 (mm <sup>-1</sup> )	Ae (mm <sup>2</sup> )	Le (mm)	Ve (mm <sup>3</sup> )	Weight (g)	YR46	YR56	YR66
UT15	2	15.2±0.4	15.2±0.4	5.1±0.3	11.0±0.4	4.7±0.3	5.9±0.4	2.0±0.2	2.64	14.87	39.36	586	3.9	3500	4000	4500
UT15.2/15.2/6	2	15.2±0.2	15.2±0.2	6±0.15	11±0.2	4.65±0.15	5.9±0.15	2.1±0.2	2.5	18.9	39.37	744	4.1	5000	5230	6800
UT16	1	16.0±0.3	8.1±0.3	3.0±0.2	2.6±0.2	13.0±0.2	4.0±0.2	1.5±0.15	5.1	37.5	191.5	1.1	1400	2000	2600	
SQ1918	2	19.0±0.4	18.3±0.4	5.5±0.3	14.0±0.3	8.22±0.3	5.04±0.3		2.63	22.34	58.59	1309	6.1	3400	4400	5100
UT20	1	20.6±0.4	14.1±0.3	4.6±0.3	4.1±0.2	15.5min	7.3min		4.46	11.93	53.17	634.4	4.0	2500	3000	3600
UT2318	2	22.8±0.4	18.1±0.4	5.0±0.3	14.8±0.4	4.5±0.25	9.1±0.4	4.0±0.25	3.6	22.5	60.8	1390	6.1	3000	3500	4200
UT2521	2	24.70±0.50	21.30±0.50	5.20±0.30	15.90±0.40	4.90±0.25	11.50±0.40	4.40±0.25	2.7	25.48	69	1784.9	7.15	3500	4500	5200
SQ3224	2	24.0±0.40	31.6±0.4	9.5±0.30	10.4±0.4	22.5±0.4	9.50±0.4	4.40±0.3	1.53	52.76	80.71	4259.1	23	6000	6400	8000



规格	尺寸 (mm)								有效磁路参数				Weight (g)	AL±30%(nH/N <sup>2</sup> )		
	FIG	A	B	C	D	E	F	G	C1 (mm <sup>-1</sup> )	Ae (mm <sup>2</sup> )	Le(mm)	Ve (mm <sup>3</sup> )		YR46	YR56	YR66
FT24(SQ24)	3	23.35± 0.4	14.85± 0.4	9.95± 0.2	16.65± 0.4	7.75± 0.4			1.516	34.5	52.3	1804	12.9	2500	3500	5000
SQ3827C	2	38.4 ± 0.50	27±0.40	10±0.20	24±0.50		8.4± 0.40		1.027	87.87	90.28	7932.8 3	35	6000 min	9000 min	12000 min
SQ65.5/46.5	2	64.9 ± 0.9	46±0.7	16±0.25	49.5± 0.9		18±0.7		1.069	156.53	167.34	26193. 64	150	7000	10000	13000

# ET 型磁芯 (CORE ECO TYPE)

用途：高频功率变压器、扼流圈、电子变压器、电子镇流器

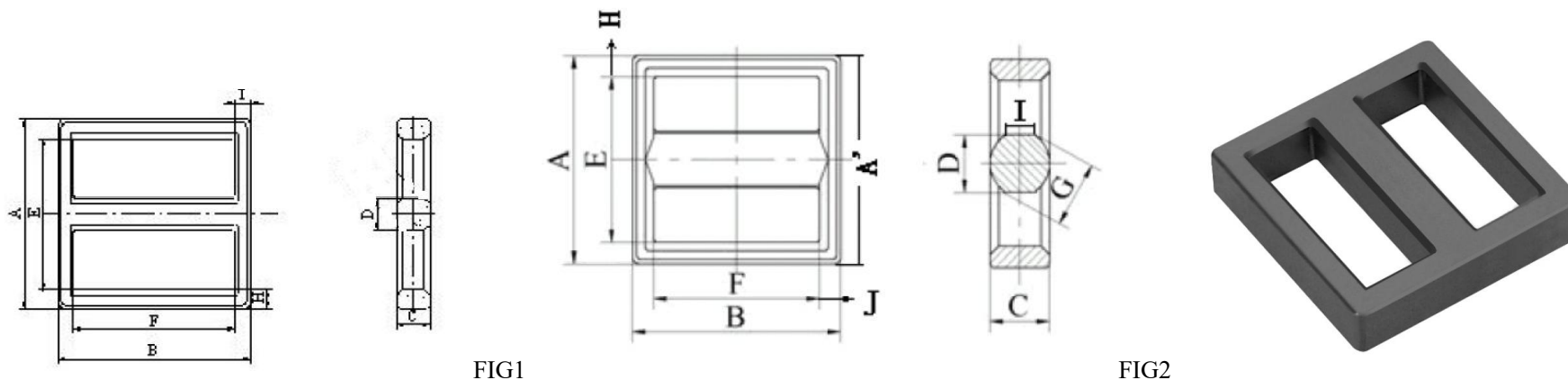


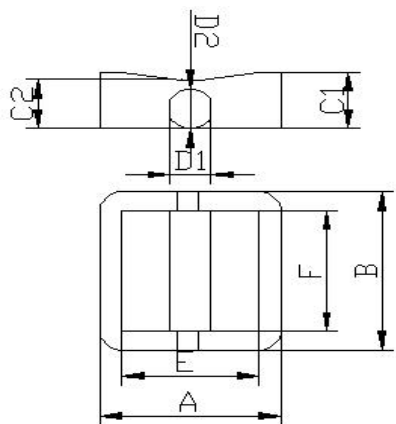
FIG1

FIG2

规格	尺寸 (mm)										有效磁路参数					AL ± 30% (nH/N <sup>2</sup> )			
	A	B	C	D	E	F	G	H	I	FIG	C1 (mm <sup>-1</sup> )	Ae (mm <sup>2</sup> )	Le(mm )	Ve (mm <sup>3</sup> )	Weight (g)	YR46	YR56	YR66	
ET20	20.1 ±0.4	20.1± 0.4	4.4± 0.2	4±0.2	15.7m in	15.7 min					1	2.93	17.31	50.76	878.7	4.55	2800	3500	4200
ET21	20.30 ± 0.30	21.70 ±0.30	5.40 ± 0.30	4.0± 0.2	16.20 ± 0.30	17.60 ±0.30					1	3.663	21.7	79.5	1725.3 4	4.8	4000	5600	6500
ET24	24.2± 0.4	24.2± 0.4	4.0± 0.2	4.0± 0.2	19.4 ±0.3	19.4± 0.3	5.2max	2.4± 0.15	2.4± 0.15		1	3.42	17.84	60.98	1087.8	5.45	2800	3500	4200
ET25	24.5+0. 7/-0.3	24.5+0. 7/-0.3	6.9± 0.2	6.6±0.2	19.5+0 .85/-0 .1	19.8± 0.5	7.7max	2.45± 0.15	2.45± 0.15		2	1.62	37.23	60.12	2238.4	11	3200	3800	4800
ET28	28.2 +0.8/- 0.3	28.2 +0.8/- .3	5.0± 0.3	5.0±0.2	22.0m in	22.0 min							26.64	71.0	1891.7	9.6	3200	3800	4800

# EV 型磁芯 (CORE ECO TYPE)

用途：高频功率变压器、扼流圈、电子变压器、电子镇流器



规格	尺寸 (mm)										有效磁路参数					AL ± 30% (nH/N <sup>2</sup> )		
	A	B	C1	C2	D1	D2	E	F			C1 (mm <sup>-1</sup> )	Ae (mm <sup>2</sup> )	Le (mm) ( )	Ve (mm <sup>3</sup> )	Weight (g)	YR46	YR56	YR66
EV20	20.6 ±0.3	21.0 ±0.3	7.5± 0.2	6.5± 0.2	4.6 ± 0.2	5.2± 0.2	15.6 ±0.3	16.0± 0.3			1.61 6	29.9 6	48.42	1450 .72	8	7000	8000	9000

# EVD 型磁芯 (CORE ECO TYPE)

用途：高频功率变压器、扼流圈、电子变压器、电子镇流器

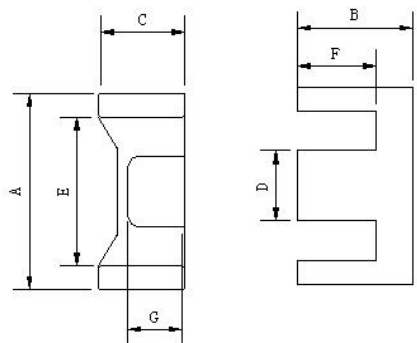


FIG1

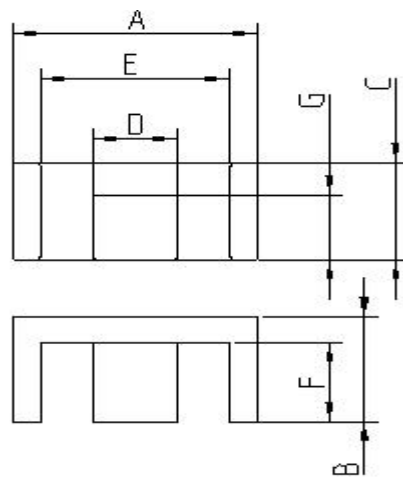


FIG2

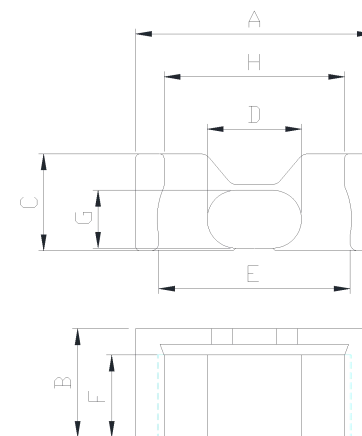


FIG3

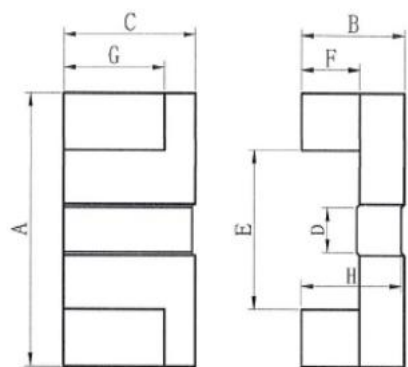


FIG4

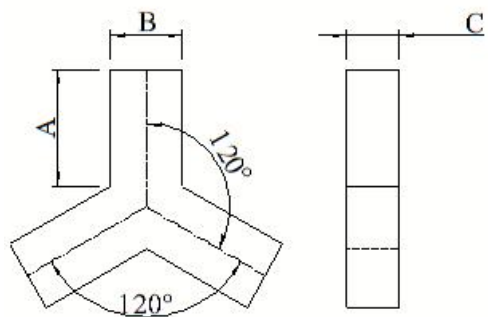


规格	尺寸 (mm)										有效磁路参数					AL±30% (nH/N <sup>2</sup> )		
	FI G	A	B	C	D	E	F	G	H		C1 (mm <sup>-1</sup> )	Ae (mm <sup>2</sup> )	Le (mm)	Ve (mm <sup>3</sup> )	Weight (g)	YR28	YR48	YR98
EVD16	1	15.9± 0.3	9.4± 0.2	6.8± 0.2	5.5± 0.15	11.8 MIN	6.5± 0.2	4.55± 0.2			1.63	25	40.9	1022.5	6.4	1250	1300	1550
EVD16A	4	16.5± 0.25	6.9± 0.15	8.8± 0.2	2.7± 0.15	9.6+0 .25/- 0.2	3.9+0. 15/-0. 1	6.35± 0.20	6.35 ± 0.20		2.21 5	20.21	44.77	904.82	6.6	YR46/ 2400	YR56/ 2500	YR66/ 3300
EVD22	3	22.1±0.5	10.4±0. 2	9.0±0.2	8.8±0.2	17.2 min	8.0±0.2	5.4±0.2	16.2 min		1.38	36.5	50.5	1845	11.9	2100	2300	2900
EVD25	2	25.5± 0.5	12.8± 0.2	12.45± 0.25	8.8± 0.25	19.2 min	9.8± 0.2	8.3± 0.25			0.85	73.2	62.3	4560.3	24.6	2800	2900	3650
EVD25A /26	2	25±0.5	13.5± 0.25	9.35± 0.25	11±0.25	18.0 min	9.3± 0.2	5.2± 0.25			0.92 3	56.9	47.4	2697	21	2700	2800	3600
EVD30	1	30.0±0.4	17.0± 0.2	12.55± 0.2	11.5± 0.15	22.2	12.1± 0.2	8.1± 0.15			0.86	94.3	80.9	7628	41.5	3500	3650	4500

# 特殊形状磁芯

## Y 型 (CORE ECO TYPE)

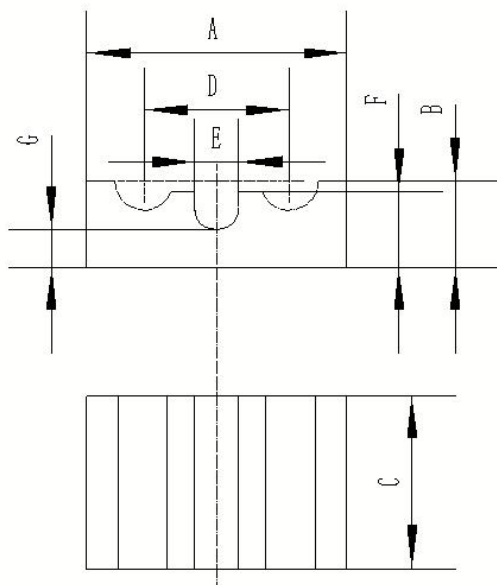
用途：高频功率变压器、扼流圈、电子变压器、电子镇流器



规格	尺寸 (mm)									有效磁路参数					AL±30% (nH/N <sup>2</sup> )		
	A	B	C	D	D1	D2	E	H	C1 (m m <sup>-1</sup> )	Ae (mm <sup>2</sup> )	Le (mm)	Ve (mm <sup>3</sup> )	Weight (g)	YR28	YR48	YR98	
Y8-5-3.7	8±0.3	5±0.2	3.65± 0.2										2.4				

# EU 型 (CORE ECO TYPE)

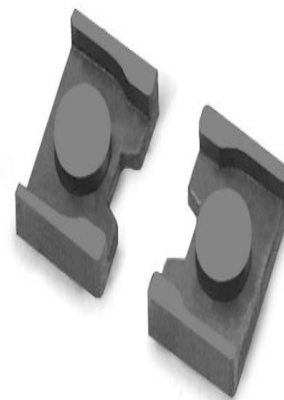
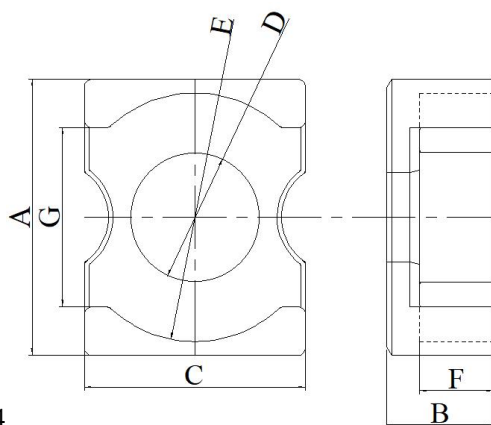
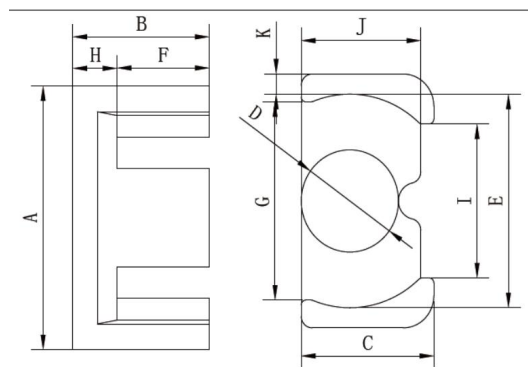
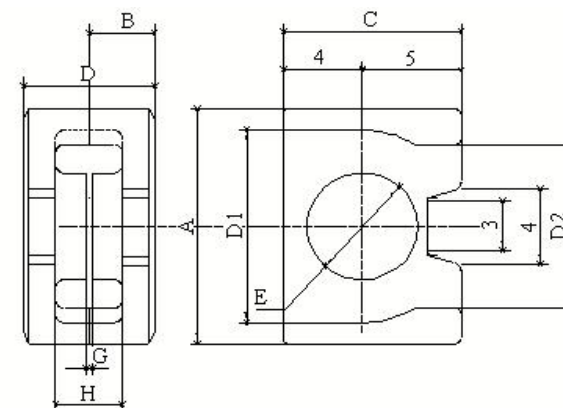
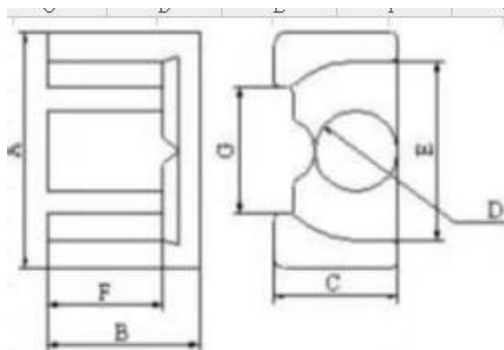
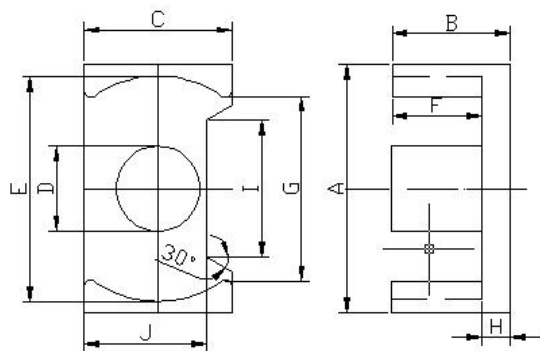
用途：高频功率变压器、扼流圈、电子变压器、电子镇流器



规格	尺寸 (mm)								有效磁路参数					AL±30% (nH/N <sup>2</sup> )		
	A	B	C	D	E	F	G	H	C1 (m m <sup>-1</sup> )	Ae (mm <sup>2</sup> )	Le (mm)	Ve (mm <sup>3</sup> )	Weight (g)	YR28	YR48	YR98
EU12.3/9	12.0± 0.2	4.0± 0.1	8.0± 0.2	6.7± 0.2	2.05± 0.05	3.5± 0.1	1.75 ± 0.15						3.4			

## ERP (LP、ECW) (CORE ECO TYPE)

用途：高频功率变压器、扼流圈、电子变压器、电子镇流器





规格	尺寸 (mm)											有效磁路参数					AL ± 30% (nH/N <sup>2</sup> )		
	F I G	A	B	C	D	E	F	G	H	I	J	C1 (mm <sup>-1</sup> )	Ae (mm <sup>2</sup> )	Le (mm )	Ve (mm <sup>3</sup> )	Weight (g)	YR28	YR48	YR98
LP22/ 17.6/ 12	4	21.8 ± 0.4	8.85± 0.15	12.0± 0.25	8.8± 0.15	18.3 ± 0.3	5.85 ± 0.15	16.98 ± 0.35	3.0± 0.15	13.2 ± 0.35	10.82 ±0.3	0.68 3	61.93	42.29	2618. 62	15.2	2500	2600	3300
ERP42 /25	1	42.0 ± 0.6	6.4± 0.2	25.0± 0.3	14.3± 0.2	37.0 min	3.6± 0.2	30.0 min	2.8+0. 2- 0.1	23.0 ±0.4	20.9 ±0.4	0.31	151	46.9	7082	44	6200	6500	8100
LP25	2	25.0 ± 0.7	11.6± 0.2	12.9± 0.3	8.6± 0.2	18.5 5min	8.60 ±0.2	13.5 ±0.6				0.86 7	63.42	54.97	3486. 21	23.4	2800	2900	3600
ER12. 3/9	3	12.3 ± 0.2	2.4± 0.1	9.0± 0.2	4.8± 0.2	10.0 + 0.3- 0.1	8.6± 0.3	5.6± 0.1	2.1± 0.2			0.65	24.6	15.9	391.1	2.5	2300	2400	3000
ECW40 /29.5 /32	5	40.0 0± 0.50	14.75 ±0.15	32.00 ±0.40	18.80 ±0.30	36.0 0± 0.50	10.25 ± 0.15	26.00 ± 0.45				0.25 6	274.7 5	71.65	19685 .8	120	8200	8500	1000 0
ECW46 .5	1	46.5 ±0.7	18.75 ±0.2	30.0± 0.45	18.0± 0.3	41.0 min	13.05 ± 0.25	32.0+ 1.5/- 0.5					282.1 1	89.19	25161 .4	133	8400	8800	1100 0
E C W 5 0	1	50± 0.7	29± 0.15	36.4± 0.6	23± 0.35	44.3 7± 0.7	22± 0.25	32.0 min					426.4 7	126.6 7	54022 .2	300	6500	6800	8200

## URS 型 (CORE ECO TYPE)

用途：高频功率变压器、扼流圈、电子变压器、电子镇流器

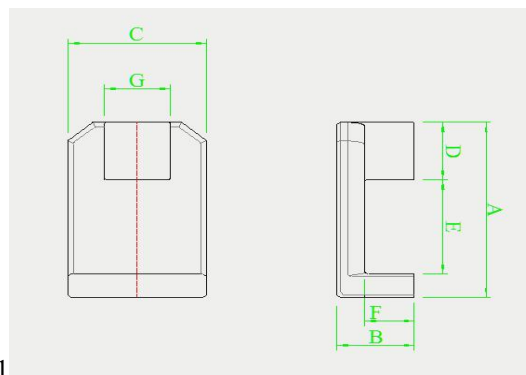
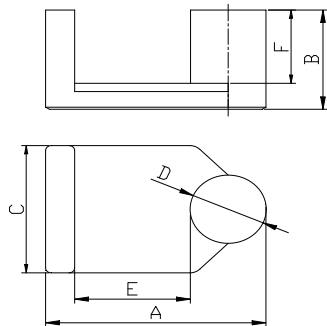


FIG1

FIG2



规格	尺寸 (mm)									有效磁路参数					AL±30%(nH/N <sup>2</sup> )		
	A	B	C	D	E	F	G			C1 (mm <sup>-1</sup> )	Ae (mm <sup>2</sup> )	Le(mm )	Ve (mm <sup>3</sup> )	Weight (g)	YR28	YR48	YR98
URS19/2 3	18.5 ±0.4	11.6 ±0.2	9.75± 0.2	6.8± 0.2	7.5m in	7.7± 0.2				1.47	41.1	60.3	2478 .3	12	1100	1150	1400
URS20.5 /19	20.5 ±0.4	9.5± 0.2	12.8± 0.2	7.1± 0.2	10.2 min	6.8± 0.2				1.76	36.7	64.7	2374	12.6	1200	1250	1550
URS18.3	18.3 ±0.3	7.03 ±0.2	12.6± 0.25	6.0± 0.2	9.8 ± 0.2	4.63 ±0.2	6.0± 0.2			1.49	32.4 8	48.4	1571 .93	9.8	900	940	1150

# I 型 (CORE ECO TYPE)

用途：扼流圈、电子变压器

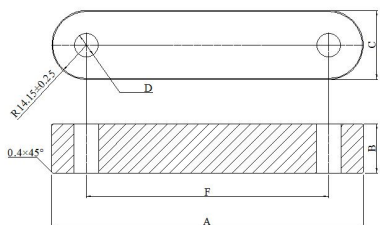


FIG1

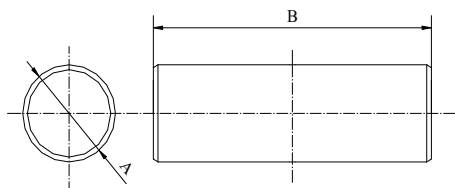


FIG2

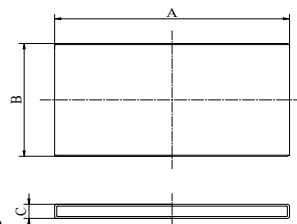
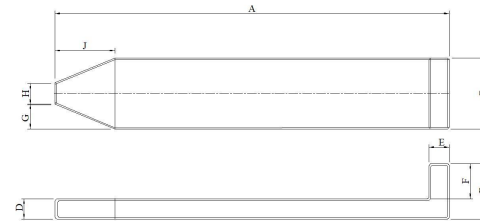


FIG3



FIG

规格	尺寸 (mm)									有效磁路参数					AL ± 30% (nH/N <sup>2</sup> )		
	FIG	A	B	C	D	E	F	G	H	C1 (m <sup>-1</sup> )	Ae (mm <sup>2</sup> )	Le (mm)	Ve (mm <sup>3</sup> )	Weight (g)	YR28	YR48	YR98
I127-20-28.3	1	127.3 ± 1.5	20.3 ± 0.5	28.3 ± 0.5		10 ± 0.4	99 ± 1							336			
R6-20	2	6.0 ± 0.3	20 ± 0.5											2.9			
I19-19-2	3	19 ± 0.5	19 ± 0.5	2 ± 0.2										3.6			
I20-19-4	3	20 ± 0.5	20 ± 0.5	4 ± 0.4										3.8			
I23-13.6-4	3	23 ± 0.5	13.6 ± 0.4	4 ± 0.3										7.8			
I23-30-25	3	23 ± 0.5	30 ± 0.5	25 ± 0.5										85.7			
I28.6-15.5-5.5	3	28.6 ± 0.5	15.5 ± 0.5	5.5 ± 0.5										13.9			

规格	尺寸 (mm)									有效磁路参数					AL±30% (nH/N <sup>2</sup> )		
	FIG	A	B	C	D	E	F	G	H	C1 (m m <sup>-1</sup> )	Ae (mm <sup>2</sup> )	Le (mm)	Ve (mm <sup>3</sup> )	Weight (g)	YR28	YR48	YR98
I33-18-4.5	3	33± 0.5	18± 0.4	4.5± 0.3										13.3			
I35-14-4	3	35± 0.5	14± 0.4	4±0.2										8.5			
I36-24-3.65	3	36± 0.5	24± 0.4	3.65± 0.2										18.3			
I38-30-6.7	3	38± 0.5	30± 0.5	6.7± 0.5										40.5			
I40/15/5	3	40± 0.5	15± 0.4	5±0.2										14.30			
I50/15/5	3	50± 0.5	15± 0.4	5±0.2										17.80			
I55/18/4.5	3	55± 0.5	15± 0.4	4.5± 0.2										21.60			
I55/15/5	3	55± 0.5	15± 0.4	5±0.2										20.1			
I60/15/5	3	60± 0.5	15± 0.4	5±0.2										21.50			
I61/14/4	3	61± 0.5	14± 0.4	4±0.2										15.45			
I67/18/4.5	3	67± 0.5	30± 0.4	4.5± 0.2										26.45			
I70/15/5	3	70± 0.5	15± 0.4	5±0.2										25.00			

规格	尺寸 (mm)									有效磁路参数					AL±30% (nH/N <sup>2</sup> )		
	FIG	A	B	C	D	E	F	G	H	C1 (m m <sup>-1</sup> )	Ae (mm <sup>2</sup> )	Le (mm)	Ve (mm <sup>3</sup> )	Weight (g)	YR28	YR48	YR98
L77/14/4	4	76.85 ±0.55	10.85 ±0.35	13.85 ±0.35	3.95± 0.25	3.95± 0.25	7.0± 0.5	4.9± 0.3	4.15± 0.25					22			

## EW 型 (CORE ECO TYPE)

用途：高频功率变压器、扼流圈、电子变压器、电子镇流器

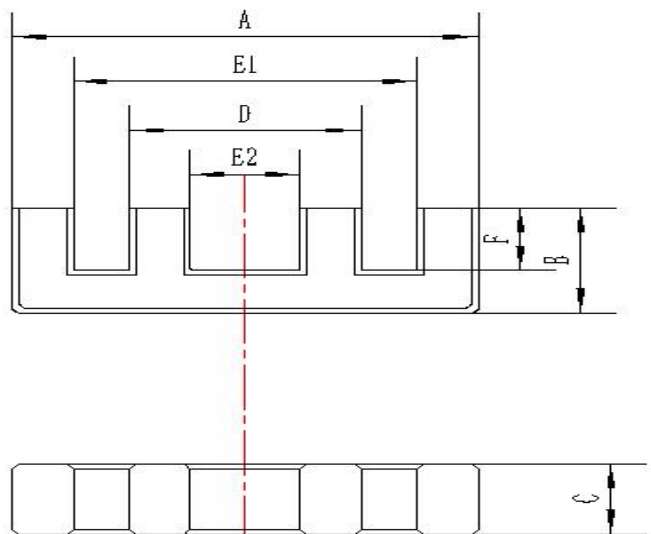


FIG1

规格	尺寸 (mm)									有效磁路参数					AL±30% (nH/N <sup>2</sup> )		
	FIG	A	B	C	D	E	F	G	H	C1 (m m <sup>-1</sup> )	Ae (mm <sup>2</sup> )	Le (mm)	Ve (mm <sup>3</sup> )	Weight (g)	YR28	YR48	YR98
EW26.7	1	26.7± 0.4	8.6± 0.15	5.55± 0.15	13.3 ±0.3	19.7± 0.4	5.1± 0.15	6.3± 0.3		1.83	19.84	38.07	755.3	5	1700	1780	2700

## QPI 型 (CORE ECO TYPE)

用途：高频功率变压器、扼流圈、电子变压器、电子镇流器

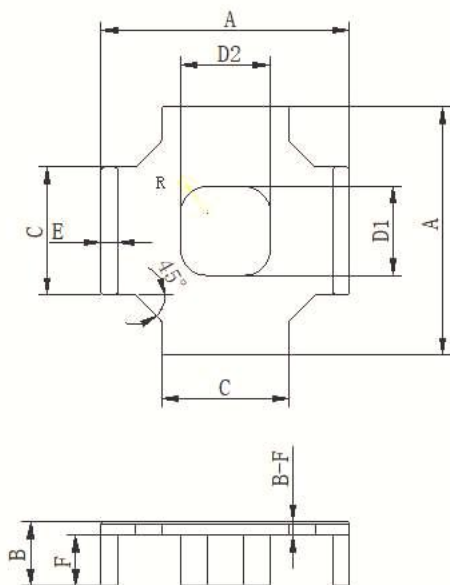


FIG1

规格	尺寸 (mm)									有效磁路参数					AL ± 30% (nH/N <sup>2</sup> )		
	FIG	A	B	C	D	E	F	G	H	C1 (m m <sup>-1</sup> )	Ae (mm <sup>2</sup> )	Le (mm)	Ve (mm <sup>3</sup> )	Weight (g)	YR28	YR48	YR98
QPI2810	1	28.60 ± 0.50	8.85± 0.15	14.45 ± 0.40	D1/D2 8.80± 0.25	1.50 ref	6.85 ± 0.15			0.83 2	55.51	45.69	2536.3 6	37	2400	2500	3400

## EPI 型 (CORE EPI TYPE)

用途：高频功率变压器、扼流圈、电子变压器、电子镇流器

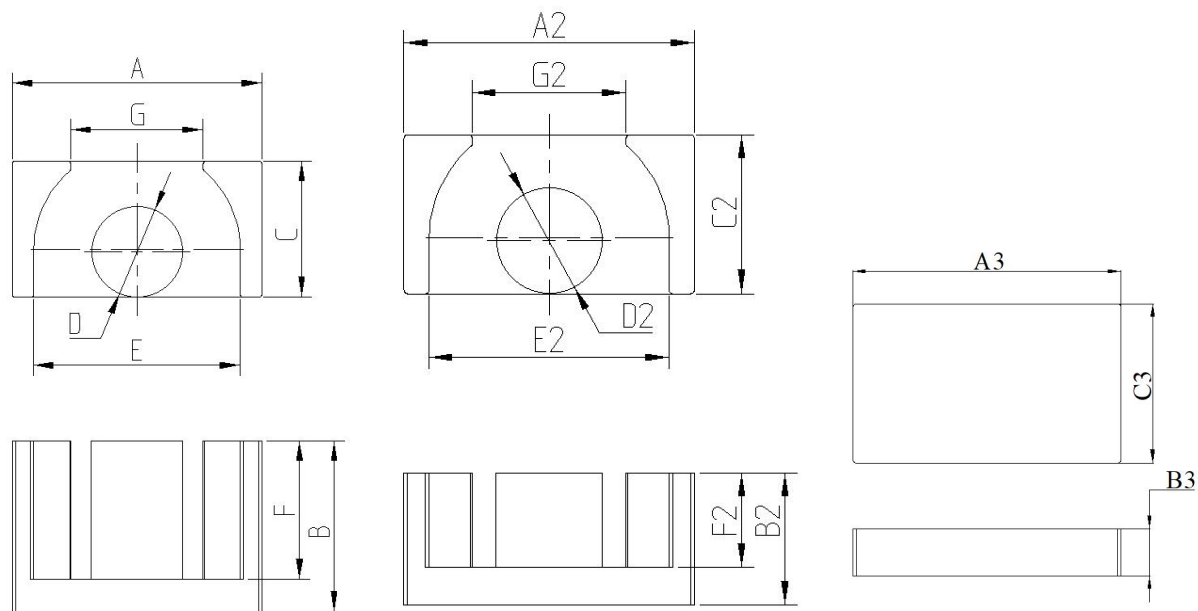


FIG1

规格	尺寸 (mm)											有效磁路参数				AL ± 30% (nH/N <sup>2</sup> )			
	FIG	A/A 2/A 3	B	C/C2	D/D2	E/E2	F	B2	F2	G/G2	B3	C1 (m m <sup>-1</sup> )	Ae (mm <sup>2</sup> )	Le (mm )	Ve (mm <sup>3</sup> )	Weight (g)	YR28	YR48	YR98
EPI2330	1	23.0 ± 0.5	15.8 ± 0.2	12.6 ± 0.3	8.4 ± 0.2	19.0 min	12.8 ± 0.2	10.5 ± 0.2	7.5 ± 0.2	12.0 min	4.0 ± 0.2	0.52	66.45	44.87 /34.75 3	2981.9 /2313. 9	31	2900/ 3000	3000/ 3100	3700/ 3800



# ECY 型 (CORE ECY TYPE)

用途：车载功率变压器

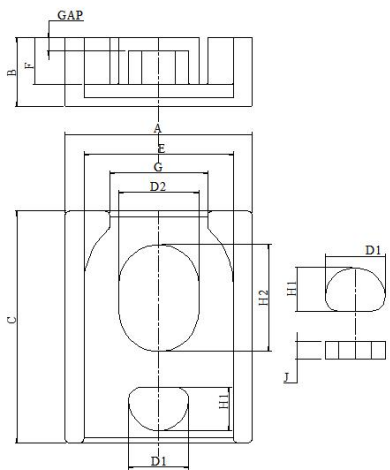


FIG1

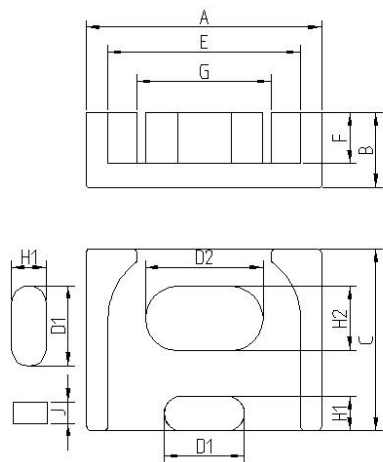
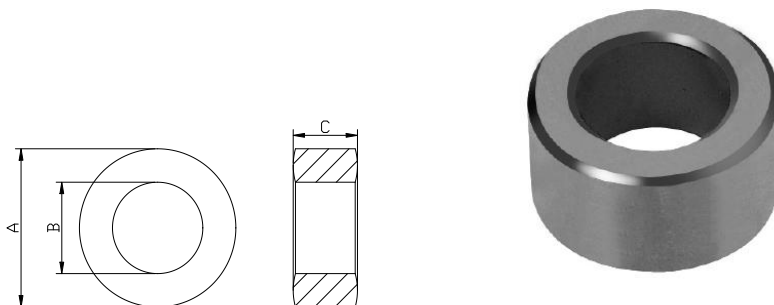


FIG2

规格	尺寸 (mm)										有效磁路参数					AL±30% (nH/N <sup>2</sup> )		
	FIG	A	B	C	D	E	F	G	H	J	C1 (m <sup>-1</sup> )	Ae (mm <sup>2</sup> )	Le (mm)	Ve (mm <sup>3</sup> )	Weight (g)	YR28	YR48	YR98
ECY42/ 52/15	1	42.0 ±0.4	16± 0.15	2.0 ±0.	13.5 ± 0.15/ 18.0 ±0.2	33.5 ± 0.4	11± 0.15	22. 0± 0.4	9.75 ± 0.2/	4.0 ± 0.1	0.33 8	293.8	68.76	20201. 5	98.1	6700	7000	8800
ECY44/ 30/34	2	44.0 ±0.5	15± 0.15	34.0 ±0.4	15.0 ±0.3/ 22.0 ±0.2	36.00 ± 0.40	10.50 ± 0.15	25. 00 ± 0.4 0	6.50 ± 0.20/ 12± 0.25	4.00 ± 0.15		231	69.1	15967. 4	73	7700	8000	10000

## T 型磁芯 (CORE T TYPE)

用途：高频功率变压器、扼流圈、电子变压器、电子镇流器



规格	尺寸 (mm)			有效磁路参数					AL±25% (nH/N <sup>2</sup> )	
	A	B	C	C1 (mm <sup>-1</sup> )	Ae (mm <sup>2</sup> )	Le (mm)	Ve (mm <sup>3</sup> )	Weight (g)	YR28	YR38
T6/3/2	6.0±0.3	3.0±0.3	2.0±0.3	4.53	2.88	13.1	37.6	0.21	666	666
T6/3/3	6.0±0.3	3.0±0.3	3.0±0.3	3.02	4.32	13.1	56.6	0.31	1000	1000
T7/4/2.5	7.0±0.4	4.0±0.3	2.5±0.3	4.49	3.65	16.4	59.9	0.32	680	680
T7/4/3	7.0±0.4	4.0±0.3	3.0±0.3	3.74	4.38	16.4	71.9	0.40	820	820
T8/4/2	8.0±0.4	4.0±0.3	2.0±0.3	4.53	3.84	17.4	67	0.38	680	680
T8/4/3	8.0±0.4	4.0±0.3	3.0±0.3	3.02	5.77	17.4	100.2	0.54	1000	1000
T8/4/4	8.0±0.4	4.0±0.3	4.0±0.3	2.26	7.69	17.4	134	0.76	1350	1350
T8/5/3	8.0±0.4	5.0±0.3	3.1±0.3	4.45	4.42	19.7	86.9	0.47	690	690
T9/5/3	9.0±0.4	5.0±0.3	3.1±0.3	3.56	5.83	20.8	121	0.65	850	850
T9/5/4	9.0±0.4	5.0±0.3	4.0±0.3	2.67	7.77	20.8	161	0.84	1150	1150
T10/6/3	10.0±0.4	6.0±0.4	3.0±0.3	4.1	5.87	24.1	141	0.69	750	750
T10/6/4	10.0±0.4	6.0±0.4	4.0±0.3	3.07	7.83	24.1	188	0.94	1000	1000
T10/6/5	10.0±0.4	6.0±0.4	5.0±0.3	2.46	9.79	24.1	235	1.18	1250	1250
T12/7/5	12.0±0.4	7.0±0.4	5.0±0.3	2.33	12.2	28.4	347	1.72	1300	1300
T12.7/7.9/5	12.7±0.4	7.9±0.4	5.0±0.3	2.65	11.8	31.2	367	1.8	1150	1150
T12.7/7.9/6	12.7±0.4	7.9±0.4	6.0±0.3	2.2	14.1	31.2	440	2.2	1400	1400
T12.7/7.9/6.4	12.7±0.4	7.9±0.4	6.4±0.3	2.07	15.1	31.2	470	2.4	1500	1500

规格	尺寸 (mm)			有效磁路参数					AL±25% (nH/N <sup>2</sup> )	
	A	B	C	C1 (mm <sup>-1</sup> )	Ae (mm <sup>2</sup> )	Le (mm)	Ve (mm <sup>3</sup> )	Weight (g)	YR28	YR38
T13/7/5	13.0±0.4	7.0±0.4	5.0±0.3	2.03	14.5	29.5	428	2.3	1500	1500
T14/8/7	14.0±0.4	8.0±0.4	7.0±0.3	1.6	20.5	32.8	671	3.4	2000	2000
T16/9/5	16.0±0.4	9.0±0.4	5.0±0.3	2.18	17.0	37.2	633	3.1	1450	1450
T16/9/6	16.0±0.4	9±0.4	6.0±0.3	1.82	20.4	37.2	759	3.9	1700	1700
T16/10/6	16.0±0.4	10±0.4	6.0±0.3	2.23	17.7	39.3	695.8	3.6	1400	1400
T16/10/8	16.0±0.4	10±0.4	8.0±0.3	1.36	27.2	37.2	1013	4.6	1850	1850
T16/12/8	16.0±0.4	12±0.4	8.0±0.3	2.73	15.9	43.4	690	4.5	1700	1700
T17/10/6	17.0±0.4	10±0.4	6.0±0.3	1.97	20.51	40.5	830.5	4.8	1600	1600
T17/10/8	17.0±0.4	10±0.4	8.0±0.3	1.48	27.3	40.5	1107.3	6.0	2100	2100
GDT17/10.7/6.8	17.0±0.4	10.7±0.4	6.8±0.3		21.04	42	883.6	4.9	YR46 4500	YR56 6280
T18/10/6	18.0±0.5	10.0±0.4	6.0±0.3	1.78	23.3	41.5	969	5.3	1700	1700
T18/10/8	18.0±0.5	10.0±0.4	8.0±0.3	1.34	31.1	41.5	1292	6.75	2300	2300
T18/10/10	18.0±0.5	10.0±0.4	10.0±0.3	1.07	38.9	41.5	1615	8.7	2900	2900
T18/12/8	18.0±0.5	12.0±0.4	8.0±0.3	1.94	23.6	45.8	1085.6	5.6	1600	1600
T20/10/8	20.0±0.5	10.0±0.4	8.0±0.3	1.13	38.4	43.5	1674	9.1	2600	2600
T20/10/10	20.0±0.5	10.0±0.4	10.0±0.3	0.9	48	43.5	2092.4	11.35	3250	3250
T20/10/12	20.0±0.5	10.0±0.4	12.0±0.3	0.75	57.6	43.5	2510.9	13.4	3800	3800
T20/12/8	20.0±0.5	12.0±0.4	8.0±0.3	1.54	31.3	48.1	1507	8.0	1800	1800
T22/10/9	22.0±0.6	10.0±0.6	9.0±0.3	0.885	51.3	45.4	2330	12.8	3300	3300
T22/10/10	22.0±0.6	10.0±0.6	10.0±0.3	0.8	56.9	45.4	2587.8	14.6	3500	3500
T22/10/12	22.0±0.6	10.0±0.6	12.0±0.3	0.644	63.4	45.4	2587.8	17.2	4200	4200
T22/14/6	22.0±0.6	14.0±0.6	6.0±0.3	2.32	23.6	54.7	1290	6.5	1200	1200

规格	尺寸 (mm)			有效磁路参数					AL ± 25% (nH/N <sup>2</sup> )	
	A	B	C	Cl (mm <sup>-1</sup> )	Ae (mm <sup>2</sup> )	Le (mm)	Ve (mm <sup>3</sup> )	Weight (g)	YR28	YR38
T22/14/8	22.0±0.6	14.0±0.4	8.0±0.3	1.74	31.5	54.6	1720	8.8	1600	1600
T22/14/9	22.0±0.6	14.0±0.6	9.0±0.3	1.54	35.4	54.6	1935	9.75	1800	1800
T22/14/10	22.0±0.6	14.0±0.6	10.0±0.3	1.39	39.3	54.6	2150	10.8	2050	2050
T22/14/12	22.0±0.6	14.0±0.6	12.0±0.3	1.16	47.2	54.6	2580	13.1	2400	2400
T22/14/12.7	22.0±0.6	14.0±0.6	12.7±0.3	1.09	49.9	54.6	2730	13.8	2650	2650
T22/14/13	22.0±0.6	14.0±0.6	13.0±0.3	1.07	51.1	54.6	2795	14.3	2750	2750
T25/15/8	25.0±0.6	15.0±0.6	8.0±0.4	1.54	39.1	60.2	2355	12.2	1850	1850
T25/15/10	25.0±0.6	15.0±0.6	10.0±0.4	1.23	48.9	60.2	2944.4	15.2	2400	2400
T27/11/8	27.0±0.6	11.0±0.6	8.0±0.4	0.87	59.8	52.3	3134.9	18	3300	3300
T27/11/10	27.0±0.6	11.0±0.6	10.0±0.4	0.77	67.3	52.3	3526.8	22.5	4100	4100
T28/14/8	28.0±0.6	14.0±0.6	8.0±0.4	1.13	53.8	60.9	3280.9	17.1	2600	2600
T28/14/10	28.0±0.6	14.0±0.6	10.0±0.4	0.9	67.2	60.9	4101.2	22	3200	3200
T28/14/12	28.0±0.6	14.0±0.6	12.0±0.4	0.75	80.7	60.9	4921.6	25.8	3700	3700
T28/18/8	28.0±0.6	18.0±0.6	8.0±0.4	1.78	39.3	69.9	2753.2	18.2	1600	1600
T29/19/15	29.0±0.6	19.0±0.6	15.0±0.4	0.99	73.9	73.2	5408.7	26.6	2850	2850
T30/10/8	30.0±0.6	10.0±0.6	8.0±0.4	0.715	72.4	51.7	3749.1	23.55	4000	4000
T30/11/8	30.0±0.6	11.0±0.6	8.0±0.4	0.78	69.9	54.7	3830	22.6	3700	3700
T31/19/8	31.0±0.6	19.0±0.6	8.0±0.4	1.6	47	75.7	3552	17	1800	1800
T31/19/10	31.0±0.6	19.0±0.6	10.0±0.4	1.28	58.8	75.5	4439.9	21.8	2200	2200
T31/19/13	31.0±0.6	19.0±0.6	13.0±0.4	0.98	76.5	75.5	5771.9	29.2	2900	2900

规格	尺寸 (mm)			有效磁路参数					AL±25% (nH/N <sup>2</sup> )	
	A	B	C	C1 (mm <sup>-1</sup> )	Ae (mm <sup>2</sup> )	Le (mm)	Ve (mm <sup>3</sup> )	Weight (g)	YR28	YR38
T31/19/15	31.0±0.6	19.0±0.6	15.0±0.4	0.85	88.2	75.5	6659.8	33.3	3400	3400
T32/10/8	32.0±0.6	10.0±0.6	8.0±0.4	0.675	78.7	53.1	4183.8	26.1	4200	4200
T32/14/8	32.0±0.6	14.0±0.6	8.0±0.4	0.95	68	64.6	4397.7	24.1	3000	3000
T32/14/11	32.0±0.6	14.0±0.6	11.0±0.4	0.69	93.5	64.6	6046.9	33.4	4300	4300
T32/14/13	32.0±0.6	14.0±0.6	13.0±0.4	0.585	110.5	64.6	7146.3	39.2	4800	4800
T33/11/8	33.0±0.6	11.0±0.5	8.0±0.4	0.715	79.7	56.9	4536.4	29.8	4100	4100
T34/16.5/13	34.0±0.6	16.5±0.5	13.0±0.4	0.67	108.9	72.8	7931	41.8	4200	4200
T36/19/13	36.0±0.6	19.0±0.5	13.0±0.4	0.756	106.8	80.8	8628.6	47.2	3850	3850
T36/23/15	36.0±0.6	23.0±0.6	15.0±0.4	0.935	95.9	89.6	8596	43.2	3100	3100
T36/25/15	36.0±0.6	25.0±0.6	15.0±0.4	1.15	81.6	93.7	7647.4	38.8	2500	2500
T37/19/12	37.0±0.6	19.0±0.6	12.0±0.4	0.78	104.1	81.7	8511.9	45	3600	3600
T37/19/15	37.0±0.6	19.0±0.6	15.0±0.4	0.63	130.1	81.7	10639.8	56	4500	4500
T38/19/13	38.0±0.6	19.0±0.6	13.0±0.4	0.697	118.6	82.7	9819.8	54	4100	4100
T40/23/15	40.0±0.6	23.0±0.6	15.0±0.4	0.757	124.3	94.1	11694	61	3800	3800
T40/23/16	40.0±0.6	23.0±0.6	16.0±0.4	0.71	132.6	94.1	12473.8	64.7	4000	4000
T47/27/15	47.0±0.6	27.0±0.6	15.0±0.5	0.756	146.2	110.5	16156	83.0	3800	3800
T49/25/15	49.0±0.8	25.0±0.6	15.0±0.5	0.622	173.36	107.91	18706.76	134	10000/YR36	
T50/20.2/24	50±0.8	20.2±0.8	24.0±0.5	0.289	334.09	96.5	32241.51	198	2000/YR36	
T50/26.6/16	50.0±0.5	26.6±0.4	16.0±0.4	0.622	181.11	112,69	20409.4	134	10000/YR36	

诚信铸就品质

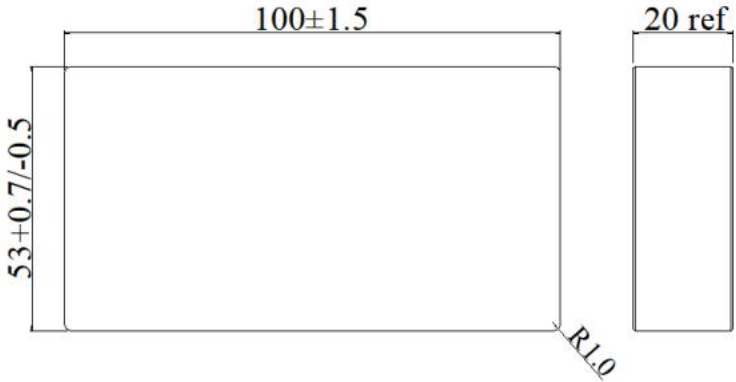
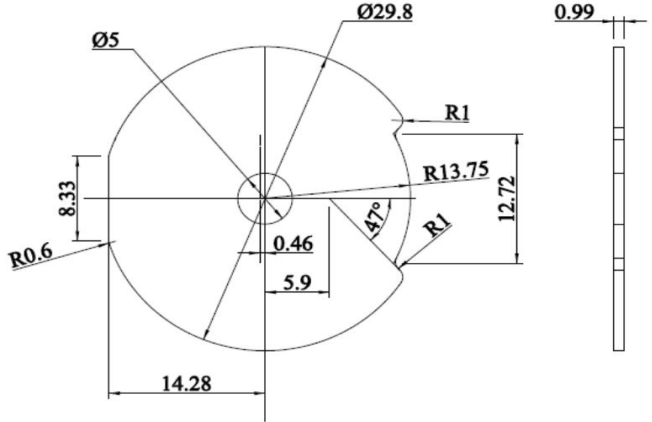
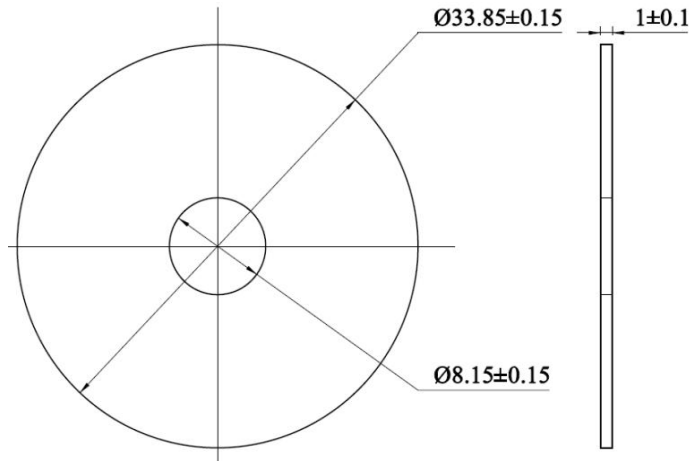
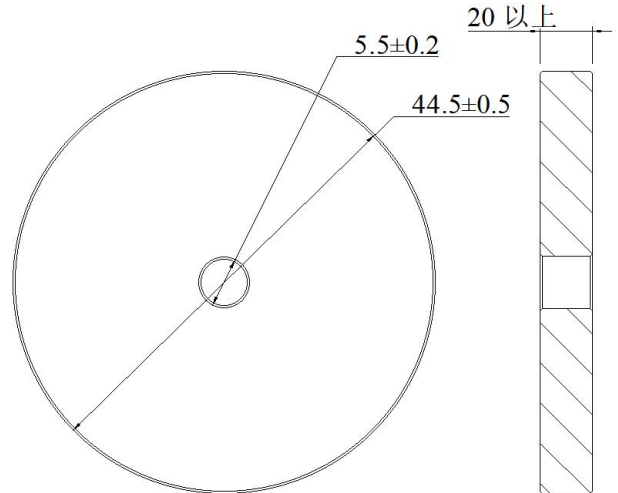
创新引领未来

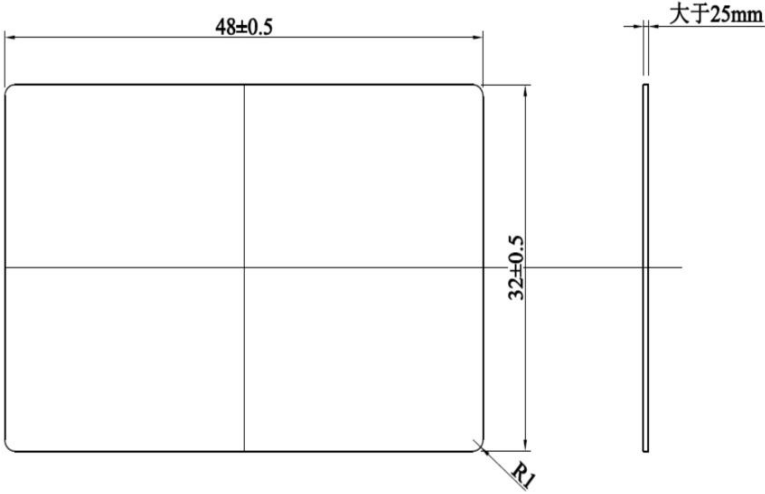
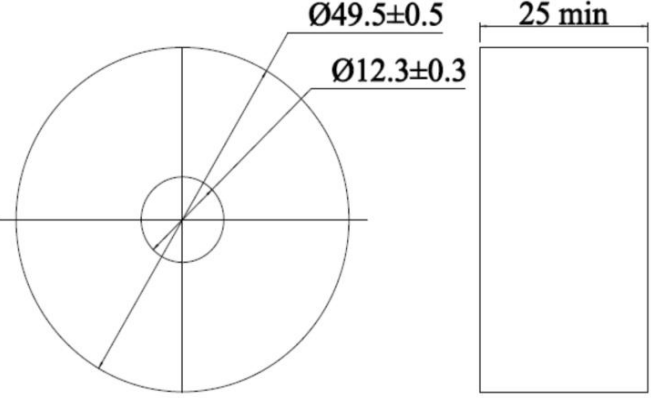
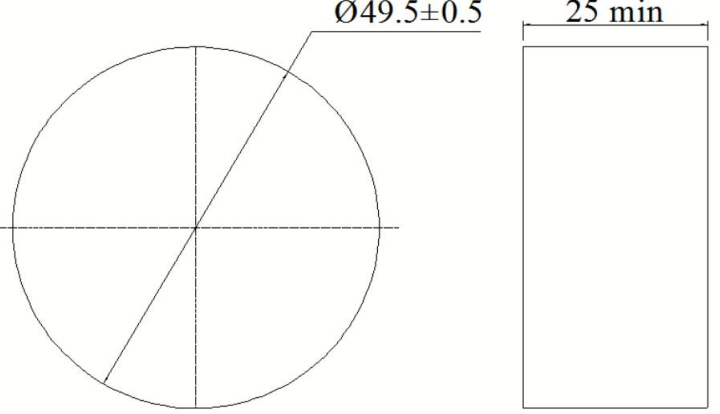
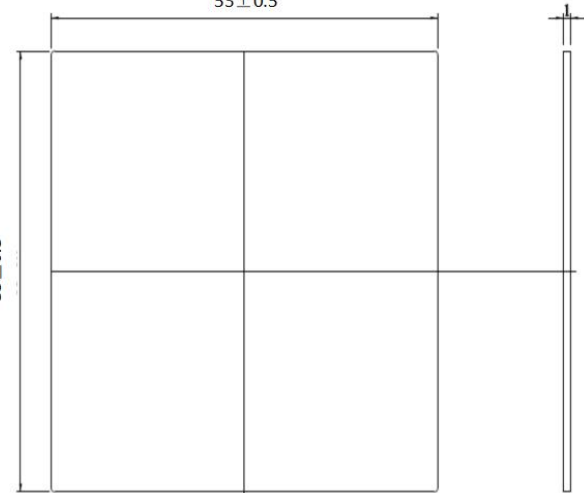


# 桐乡·重庆耀润

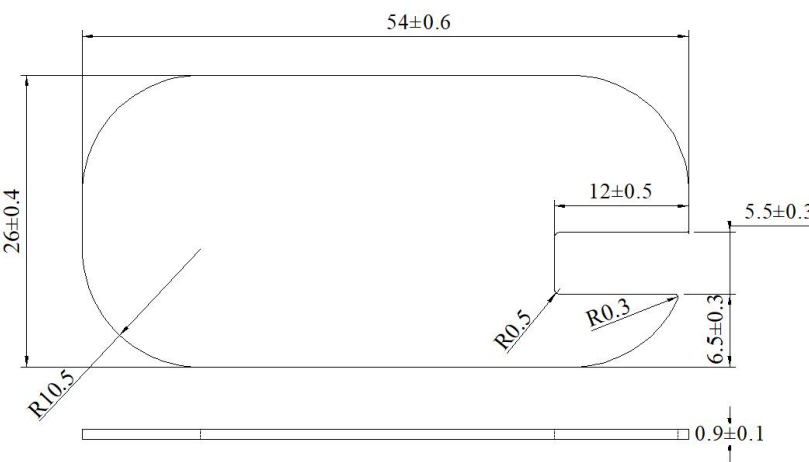
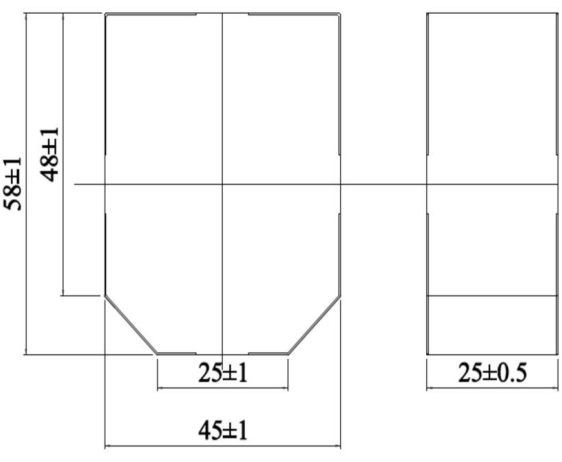
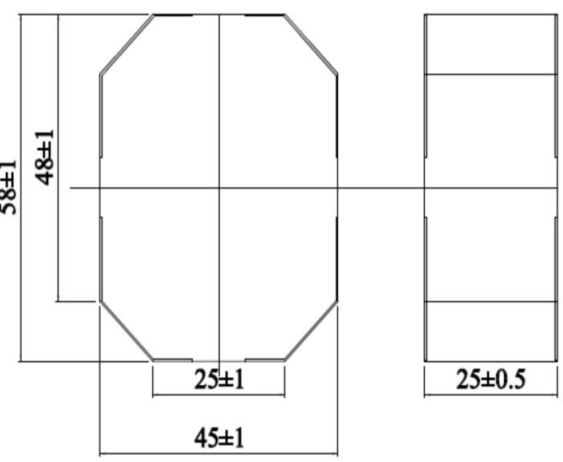
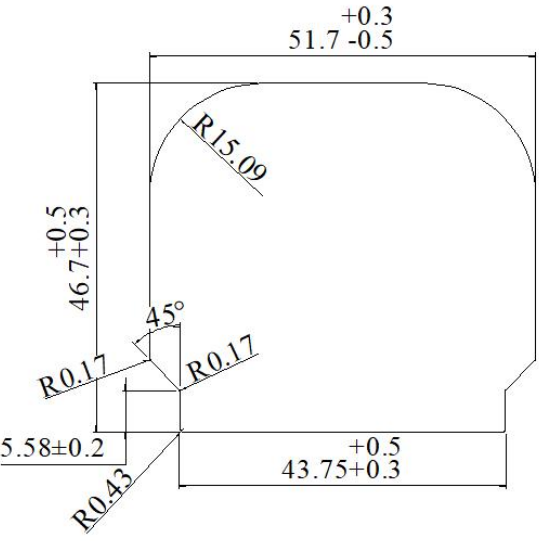
## 无线充电目录

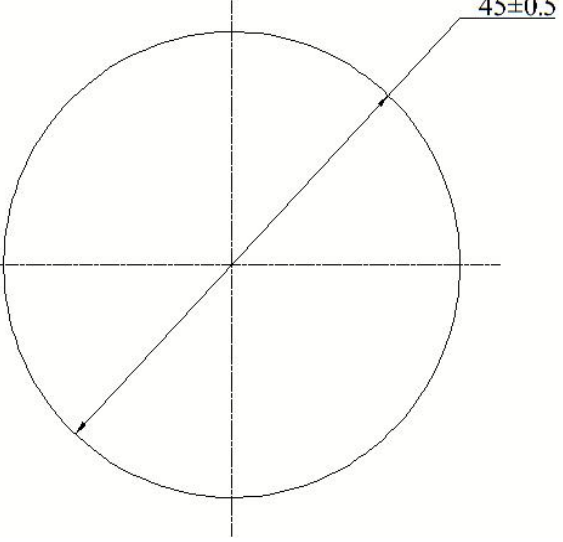
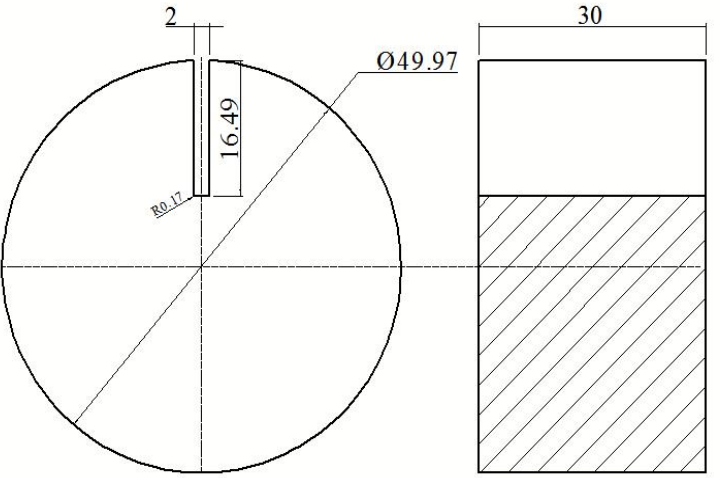
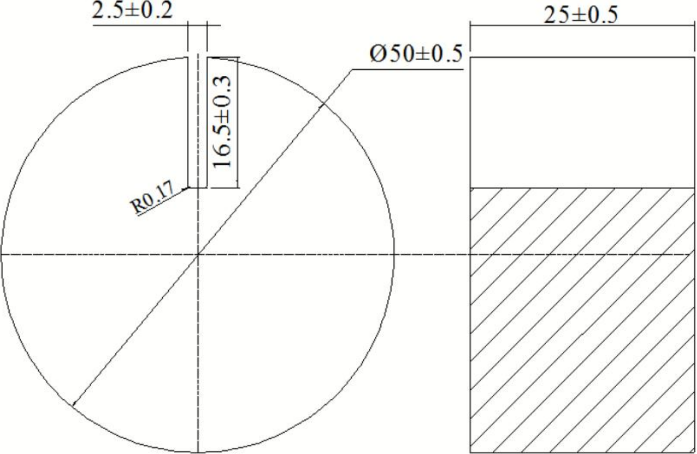
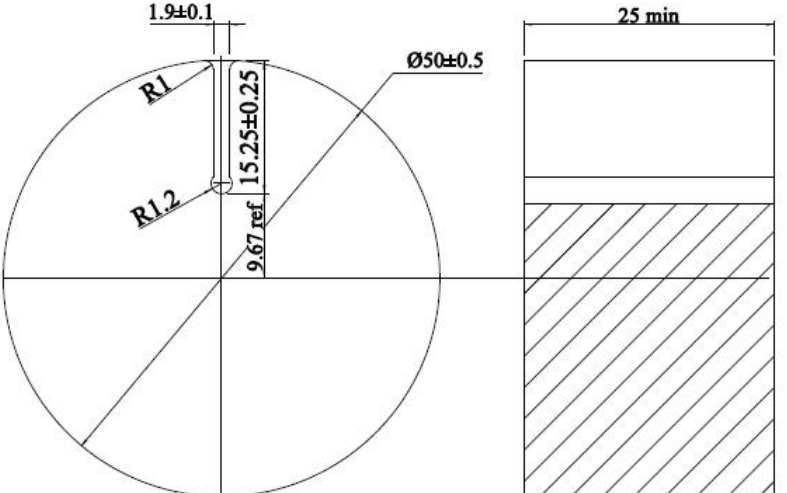


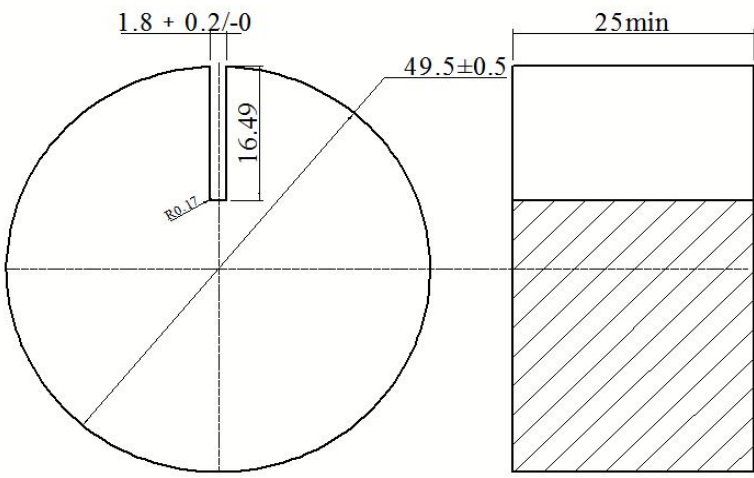
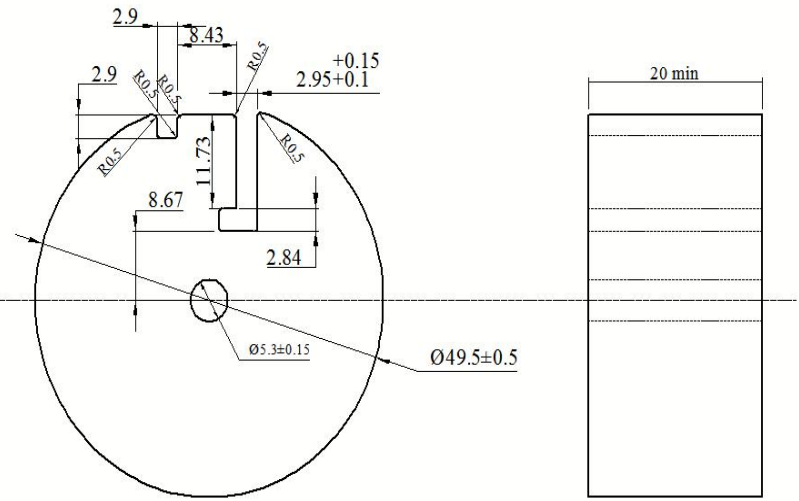
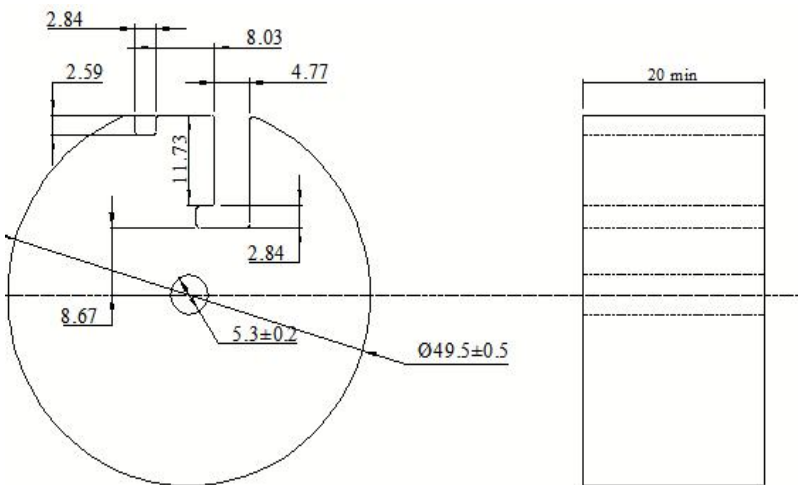
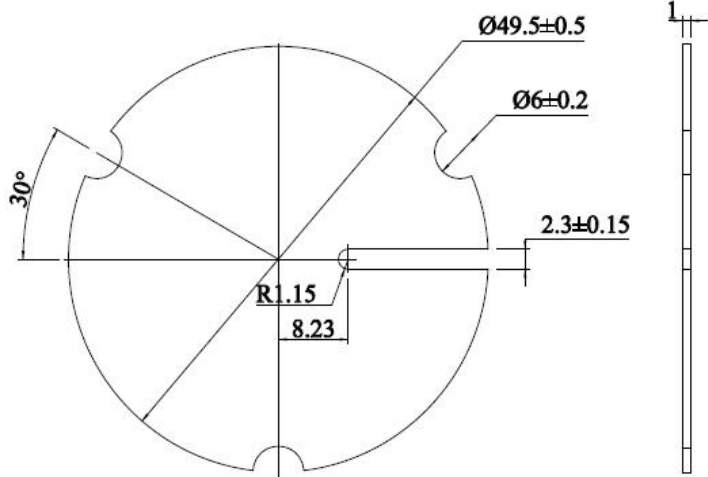
型号	I100-53	型号	T27. 44-30-28
尺寸		尺寸	
型号	T34-8	型号	T45-5.5
尺寸		尺寸	

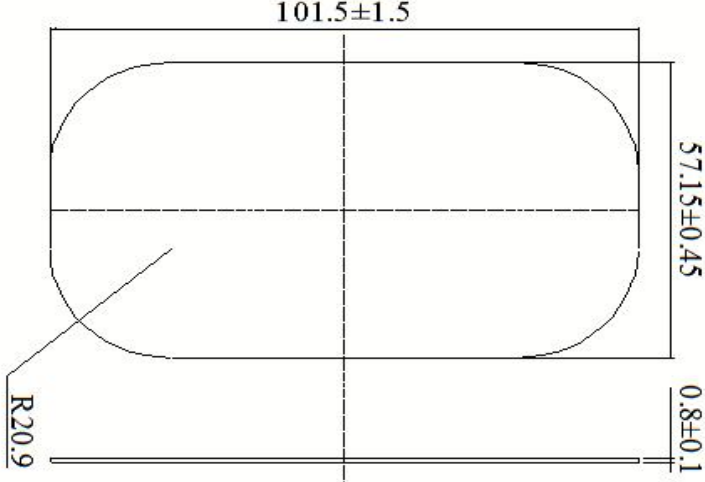
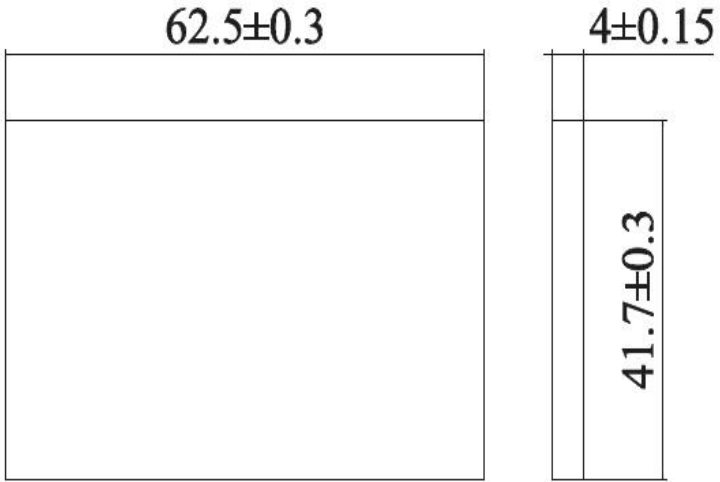
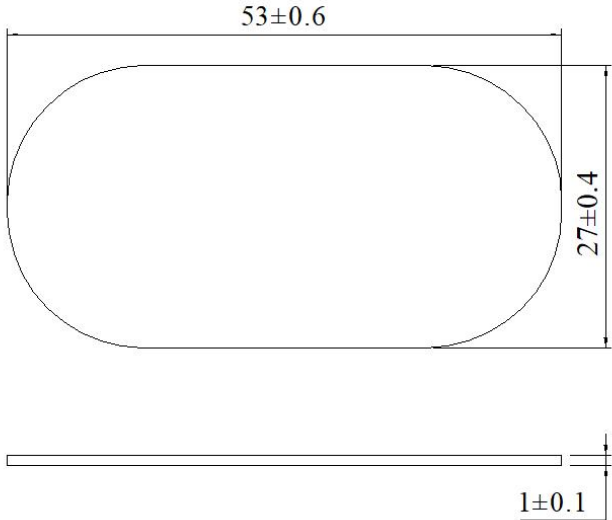
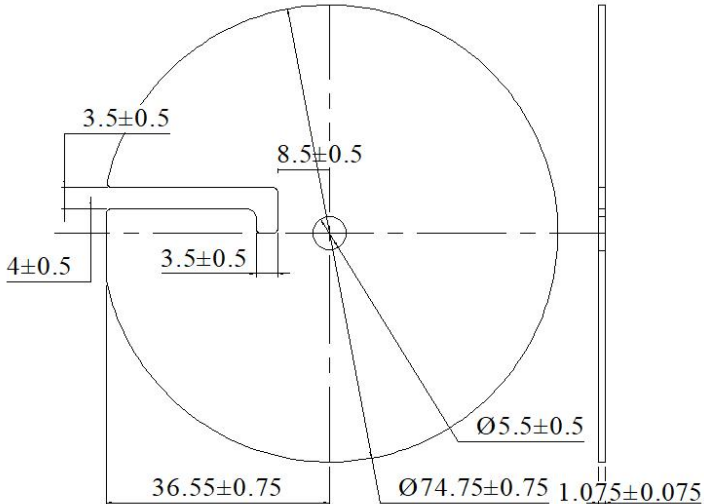
型号	I48-32	型号	T50-12
尺寸		尺寸	
型号	R50(49.5)	型号	I53-53
尺寸		尺寸	



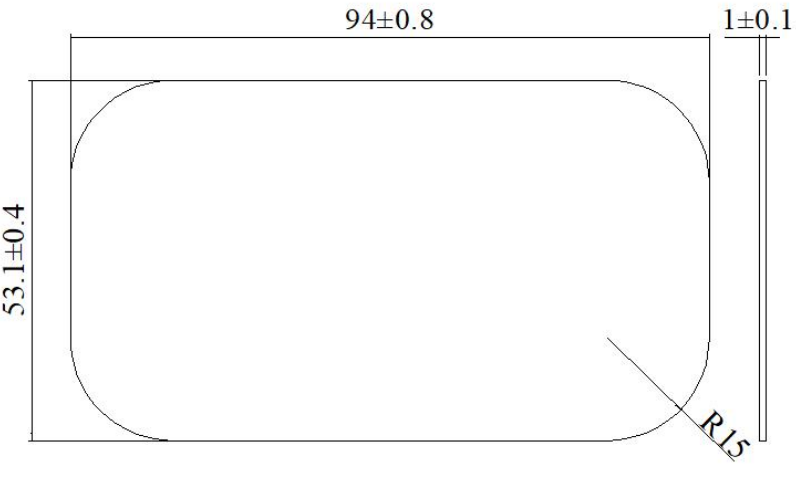
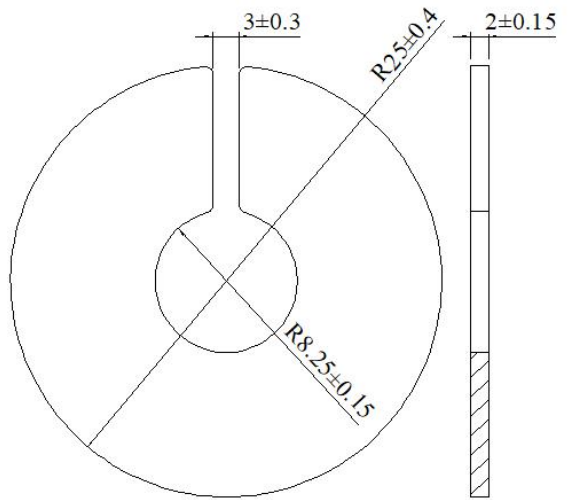
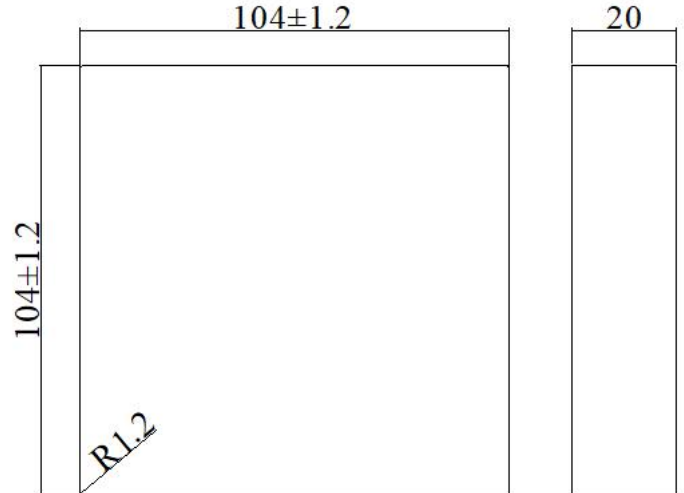
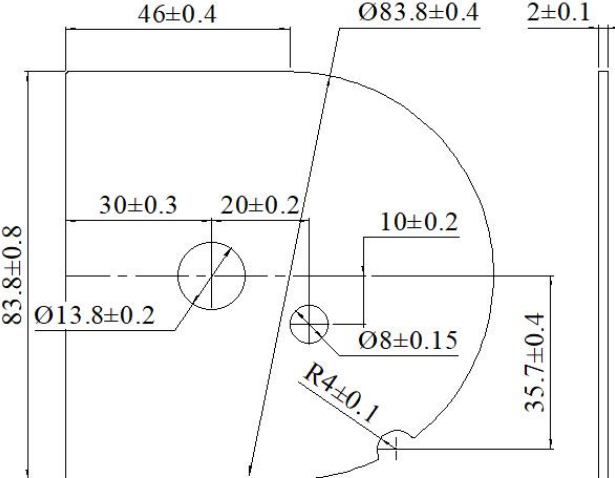
型号	I54-26--G4.0	型号	I58-45-L
尺寸		尺寸	
型号	I58-45-B	型号	I52-47
尺寸		尺寸	

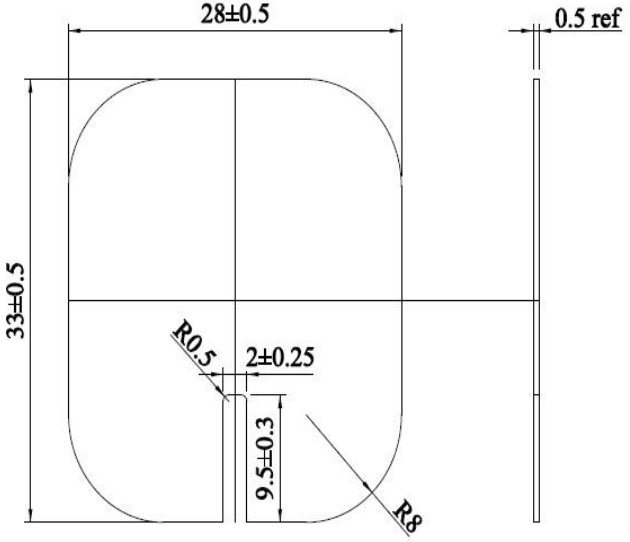
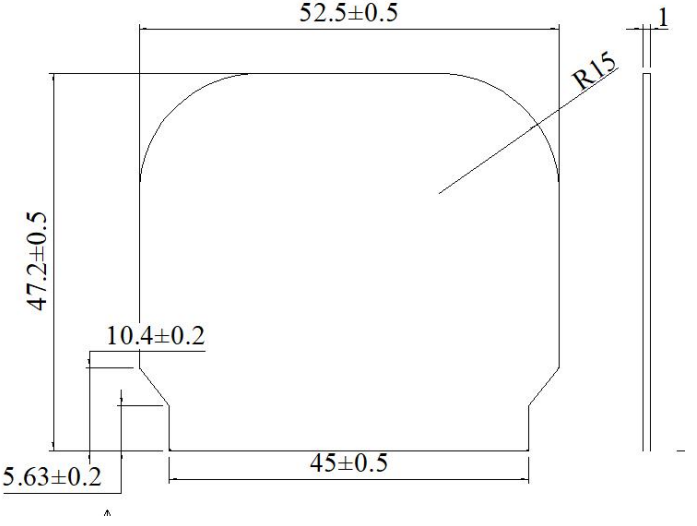
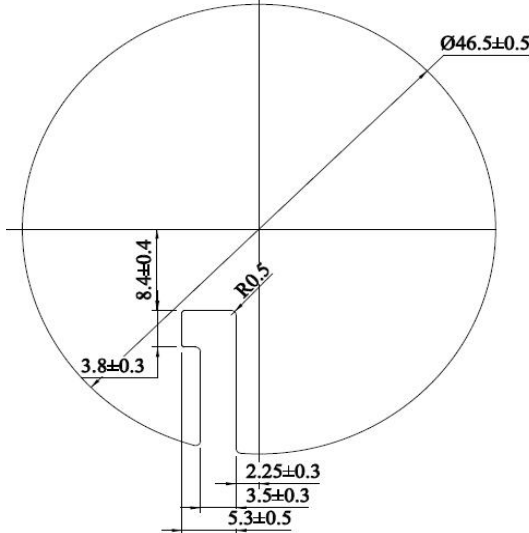
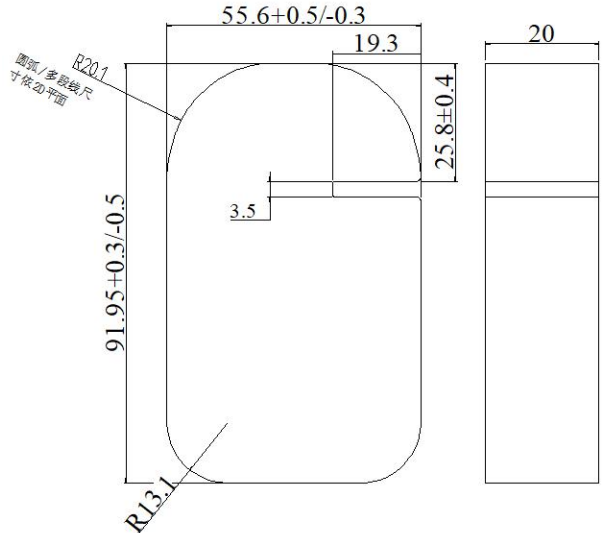
型号	R45	型号	I50-G2.0
尺寸		尺寸	
型号	I50-G2.5	型号	I50-GY2.0
尺寸		尺寸	

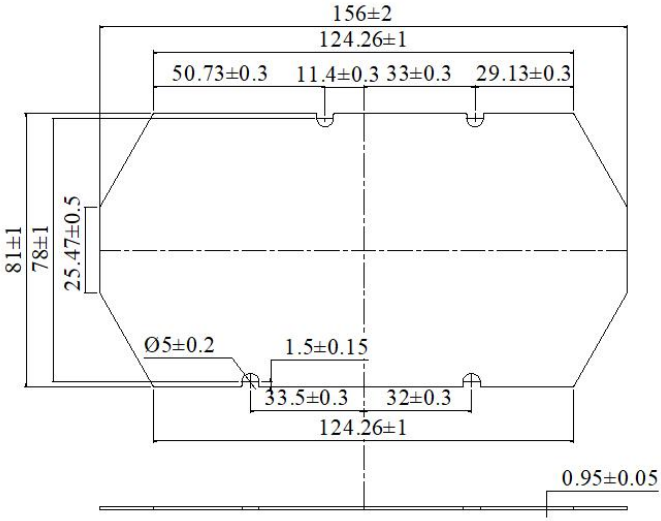
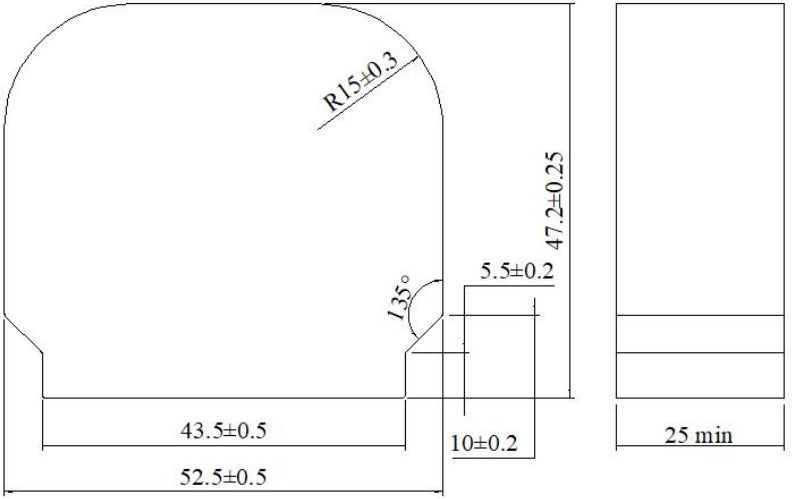
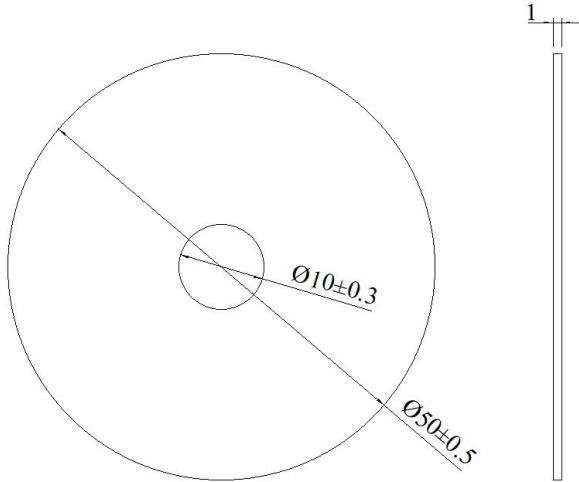
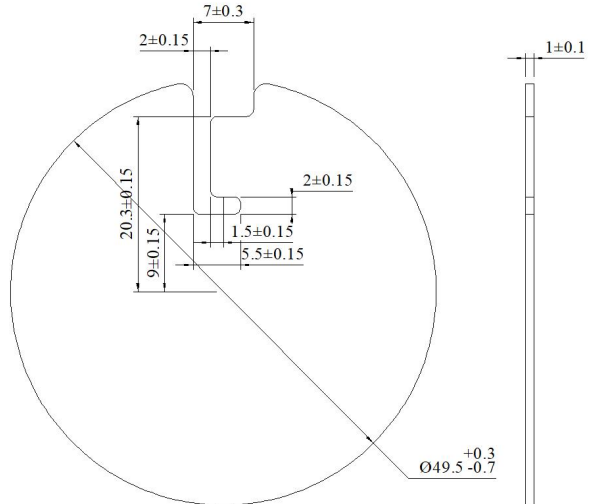
型号	I50-G1.8	型号	T50-5.3-G2.95
尺寸		尺寸	
型号	T50-5.3-G4.85	型号	T50-G2.3-K
尺寸		尺寸	

型号	I101.5-57-0.8	型号	I62.5-41.7-4
尺寸		尺寸	
型号	I53-27	型号	T75-5.5-G3.5
尺寸		尺寸	

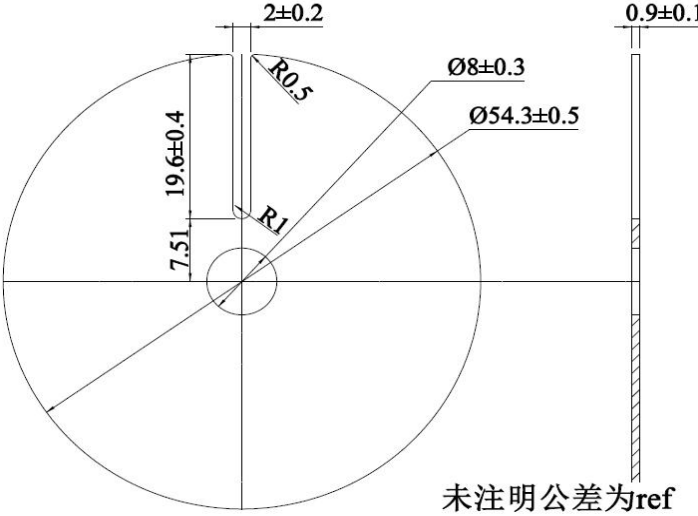
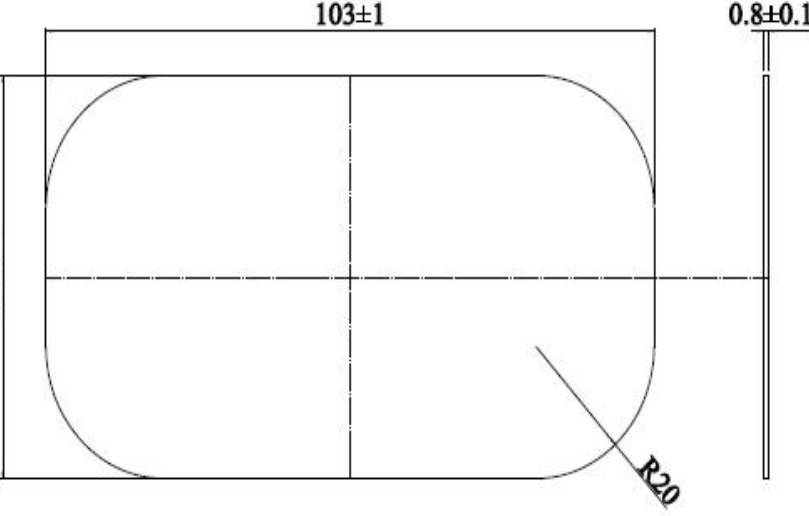
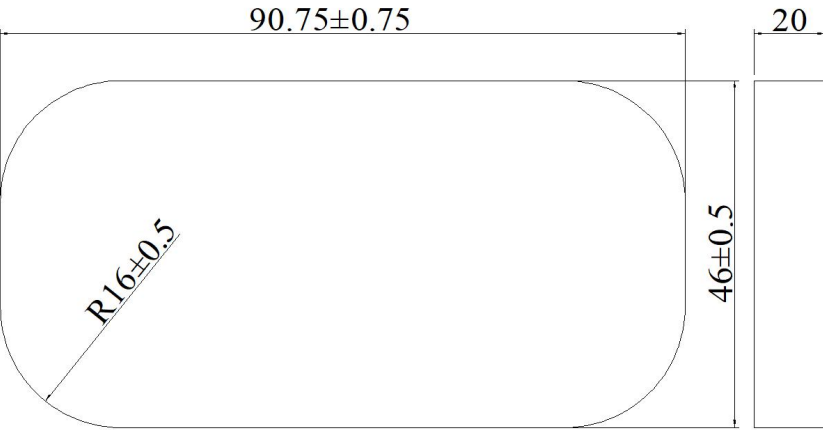
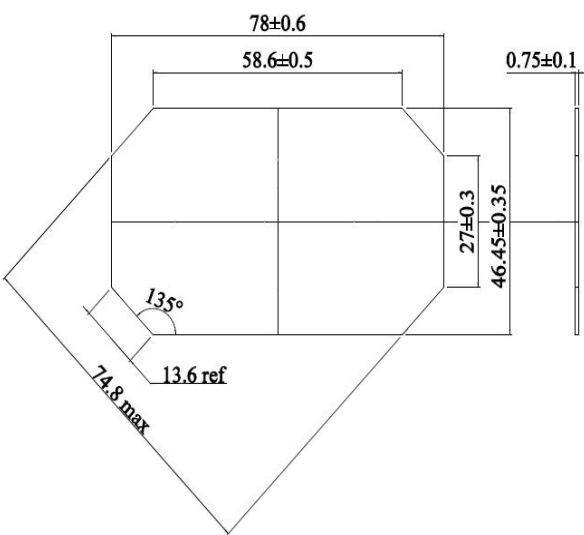
型号	I50-L2.0	型号	T50-5.5-L3.0
尺寸			
型号	T50-5.3	型号	I55-53-L3.0-1.55
尺寸			

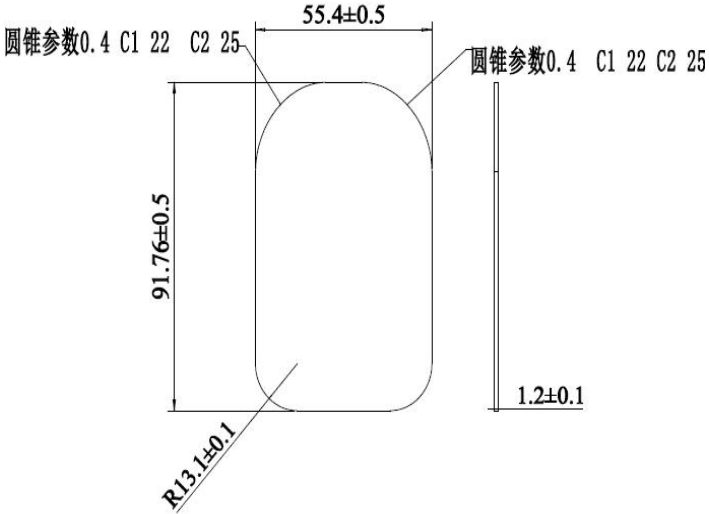
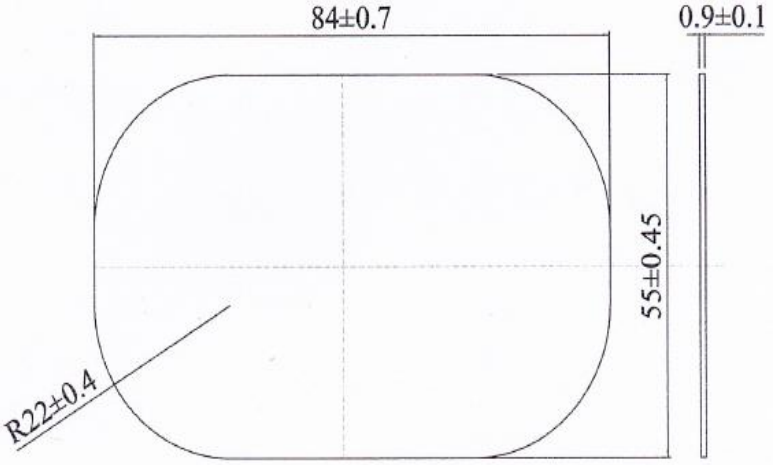
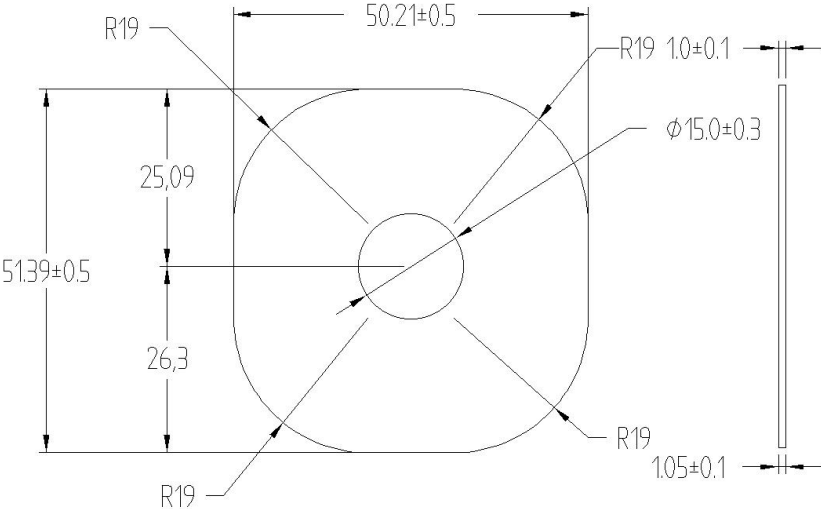
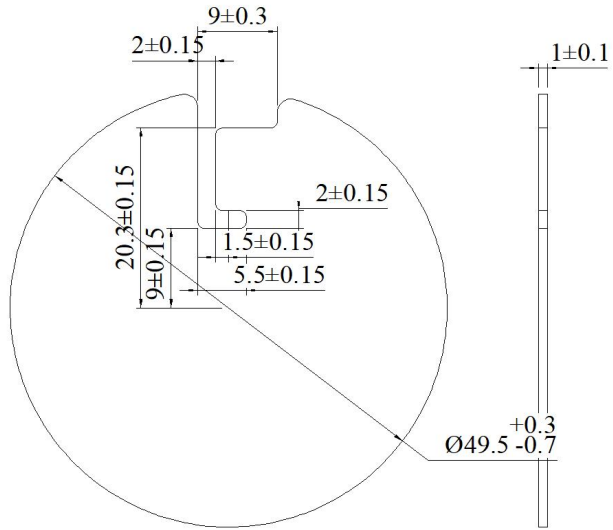
型号	I94-53	型号	I50-16.5-I3.0
尺寸		尺寸	
型号	I104-104	型号	I88-84
尺寸		尺寸	

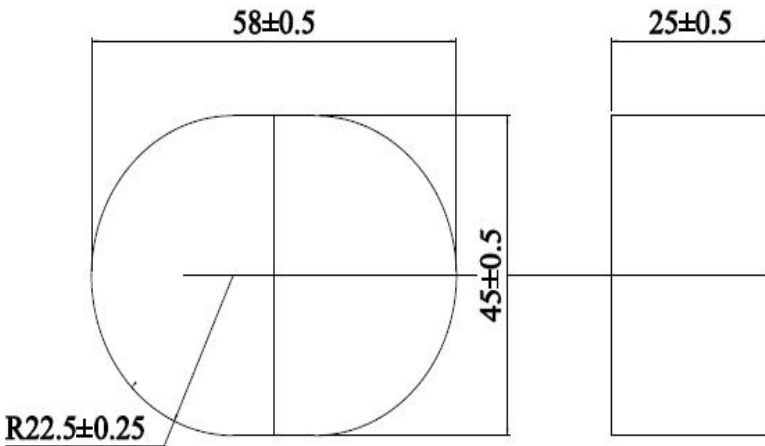
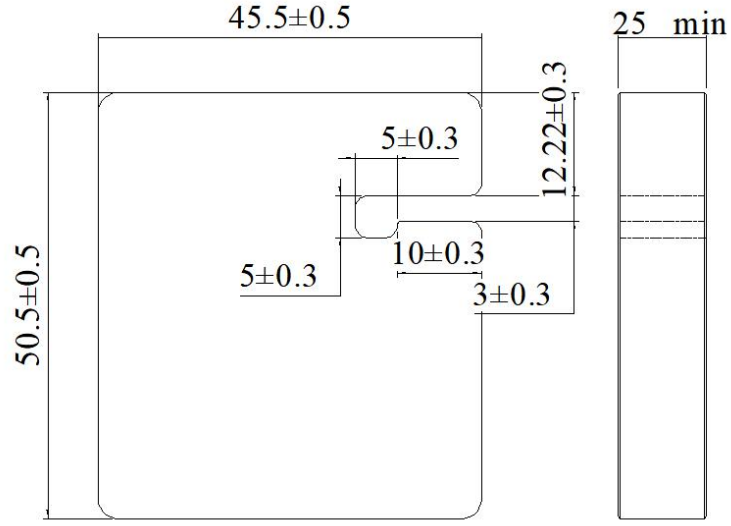
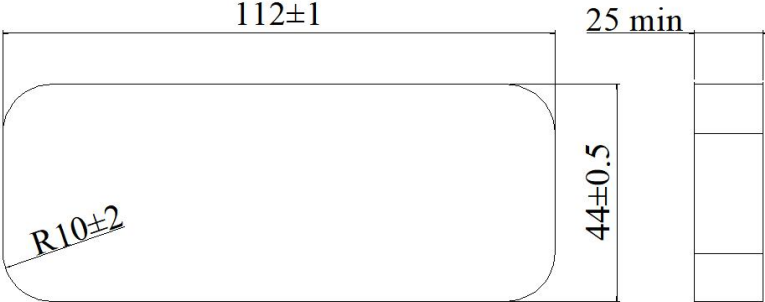
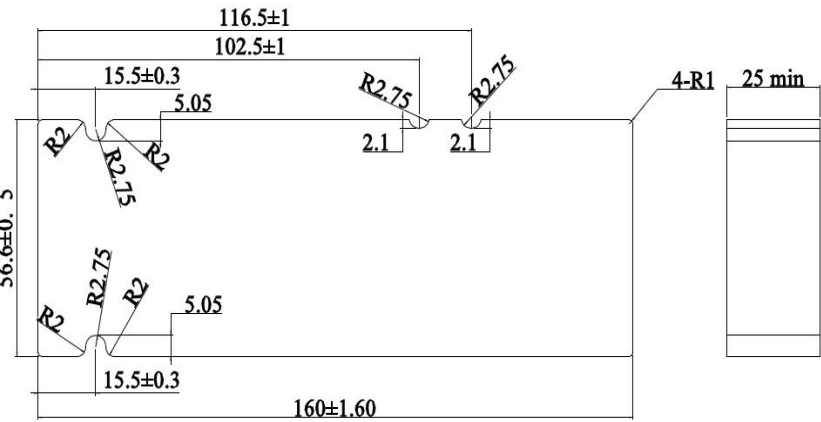
型号	I33-28-I2.0	型号	I53-47
尺寸		尺寸	
型号	I46.5-0.75-G	型号	I92-55-1.2
尺寸		尺寸	

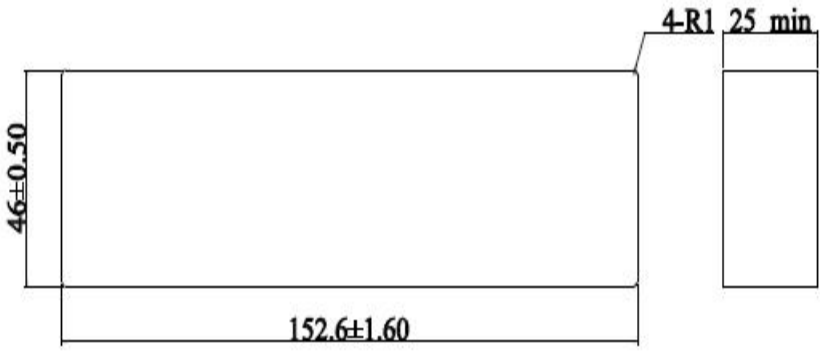
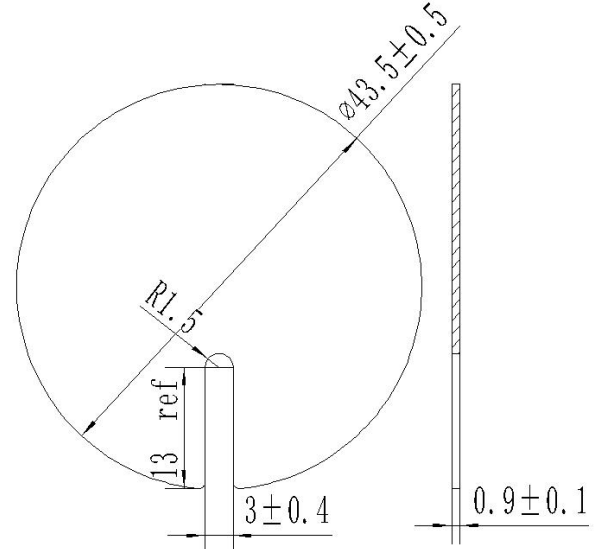
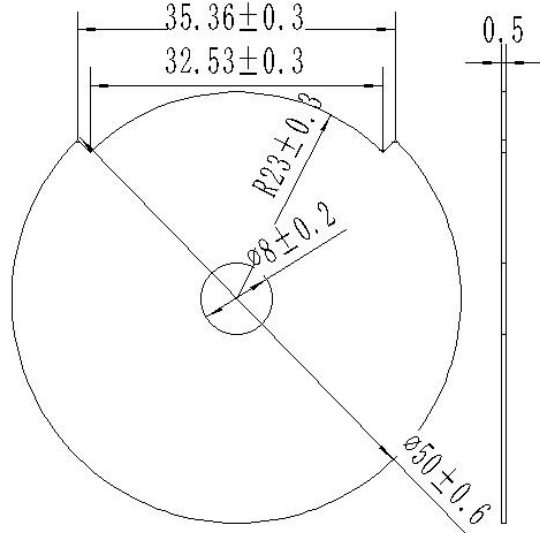
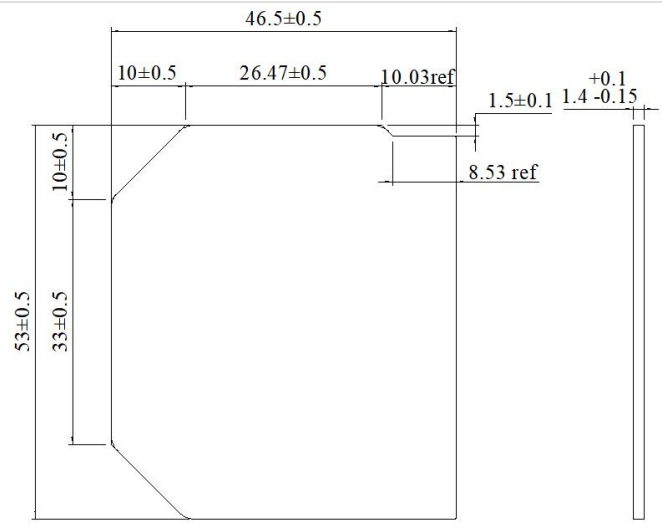
型号	I156-81	型号	I52.5-47.2
尺寸		尺寸	
型号	T50-10	型号	I49.5-L2.0
尺寸		尺寸	



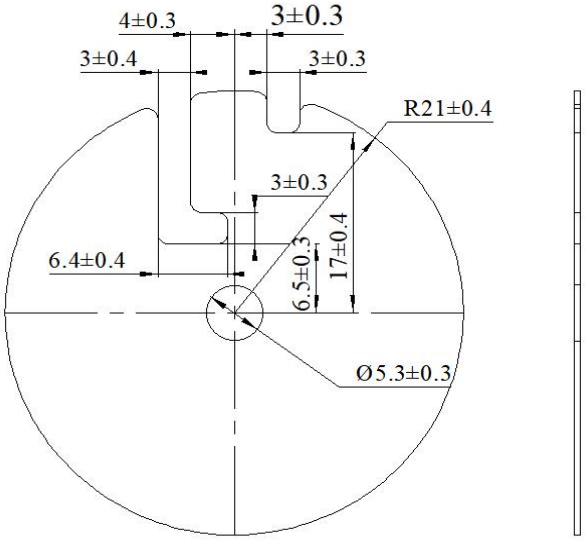
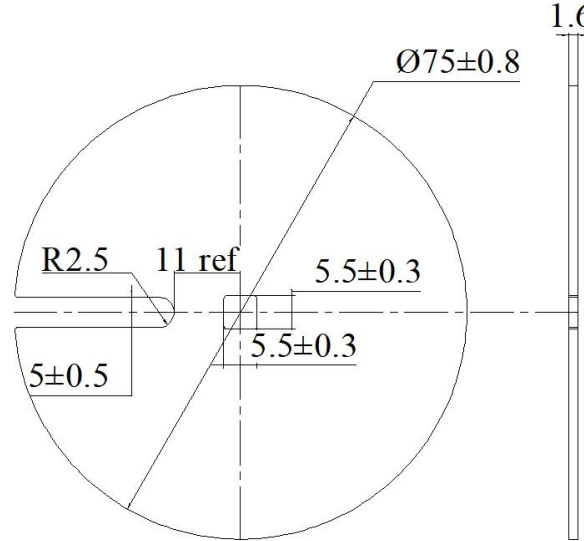
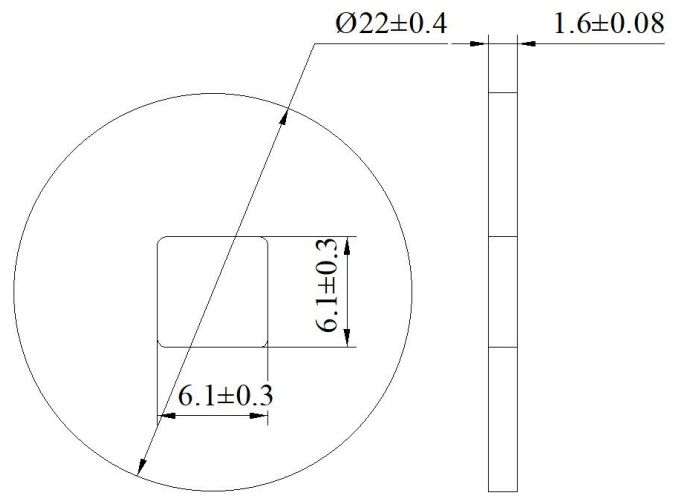
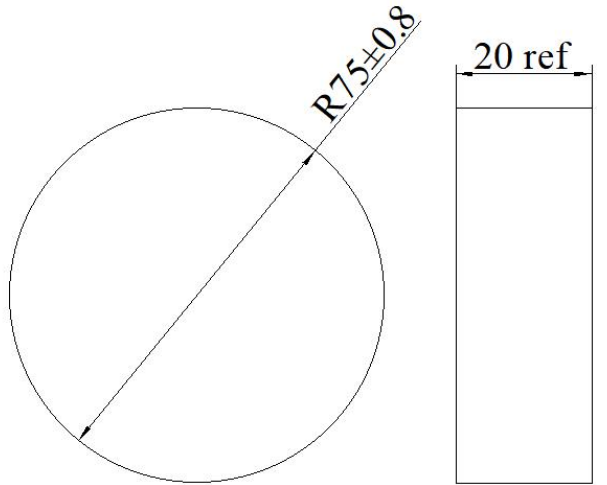
型号	T54-8-I2.0	型号	I103-61
尺寸	 <p>未注明公差为ref</p>	尺寸	
型号	I91-46	型号	I78-46
尺寸		尺寸	

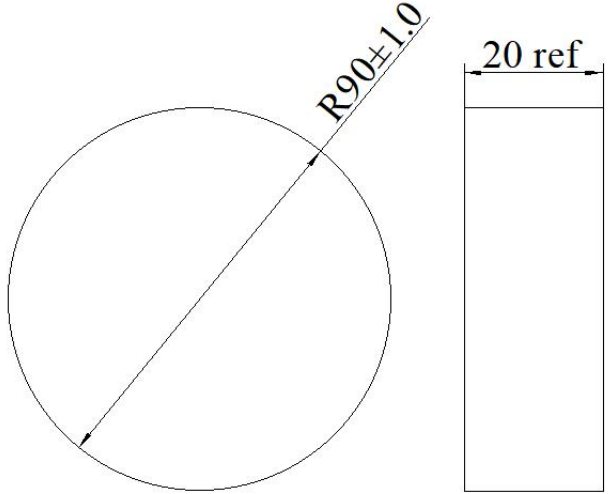
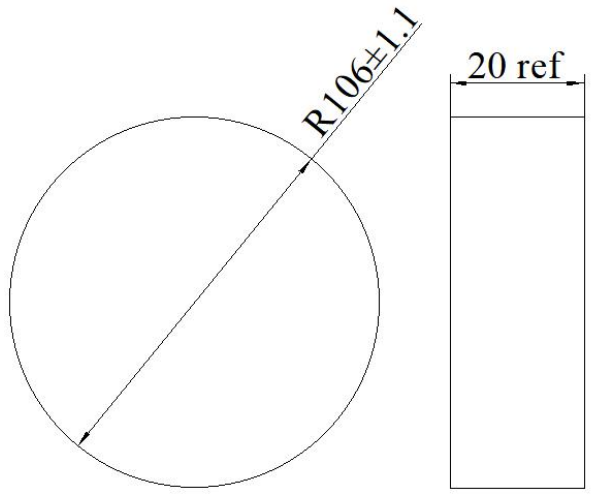
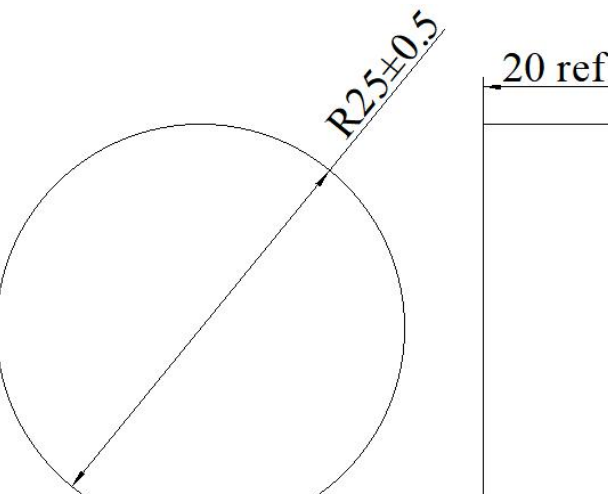
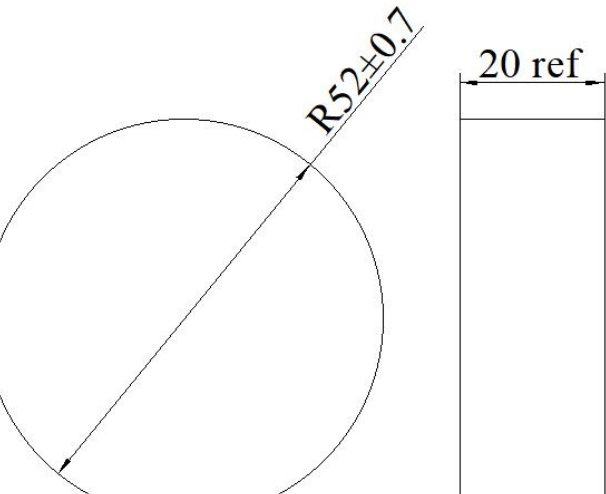
型号	I91.75-55.4	型号	I84-55
尺寸		尺寸	
型号	I50.21-51.39	型号	I49.5A
尺寸		尺寸	

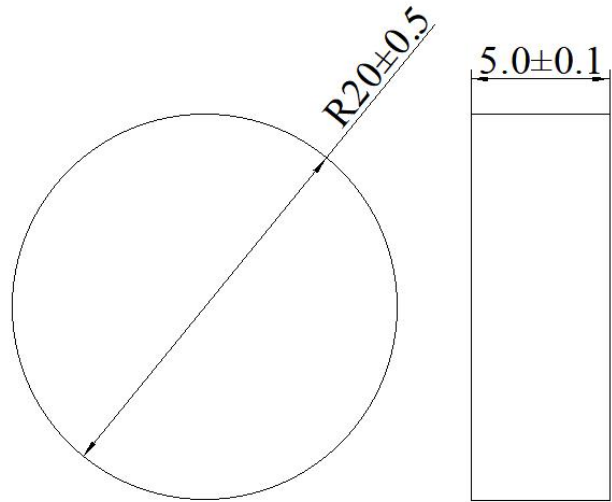
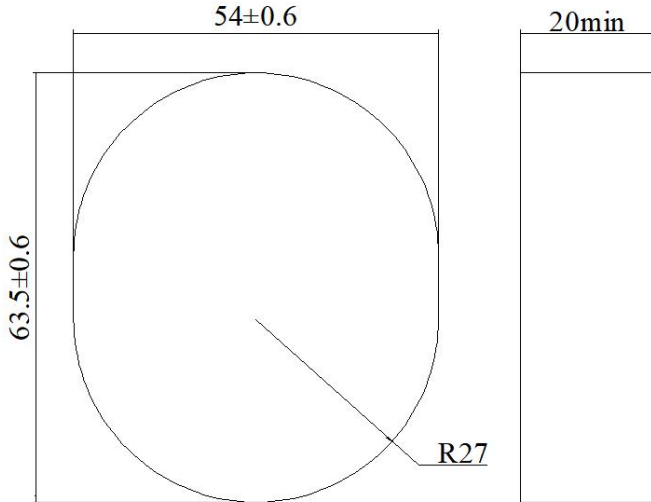
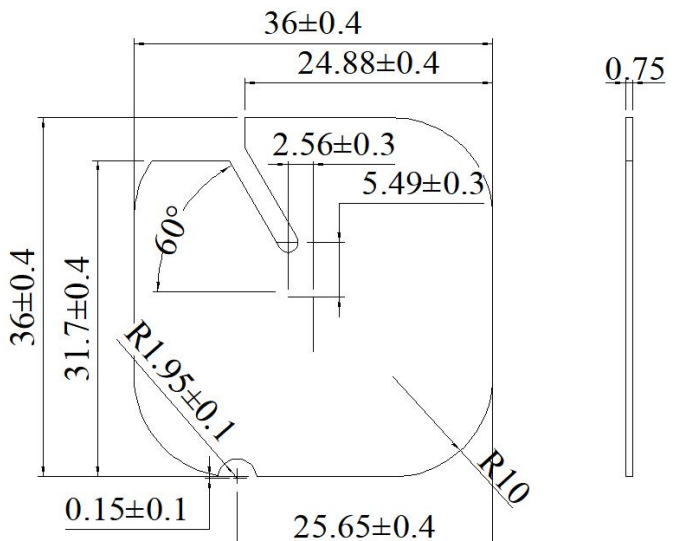
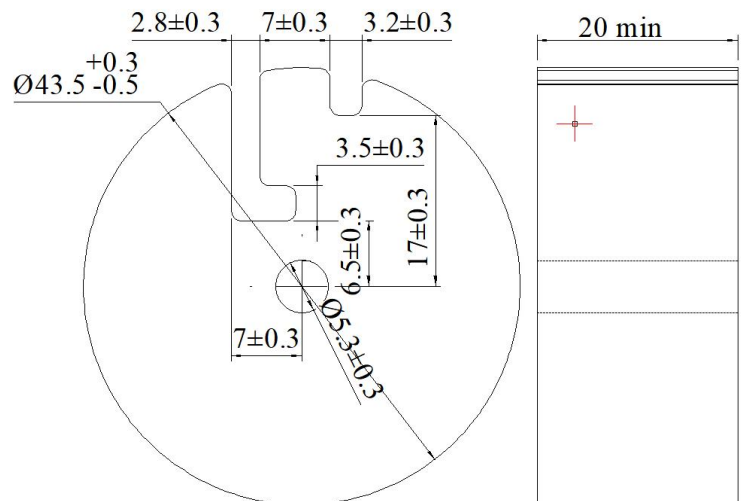
型号	I58-45	型号	I50.5-45.5
尺寸		尺寸	
型号	I112.3-44.3	型号	I160-56.6 (I160A)
尺寸		尺寸	

型号	I152.6-46(I152.6A)	型号	I43.5A(I43.5-G3.0)
尺寸		尺寸	
型号	T50-8	型号	I53B(I53-46.5-1.4H)
尺寸		尺寸	

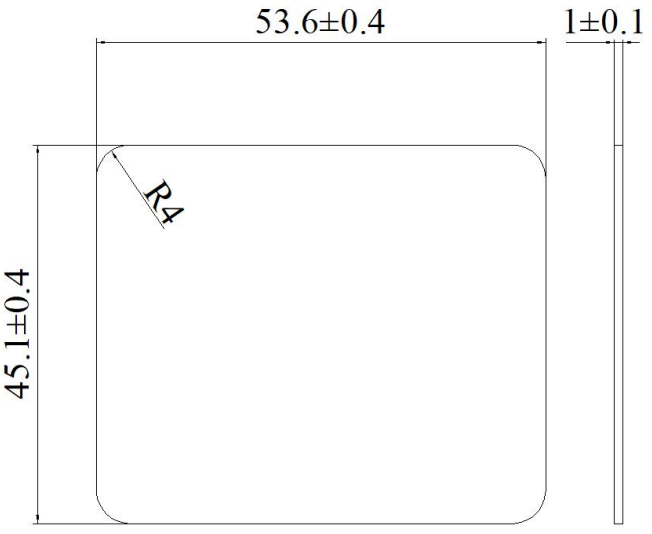
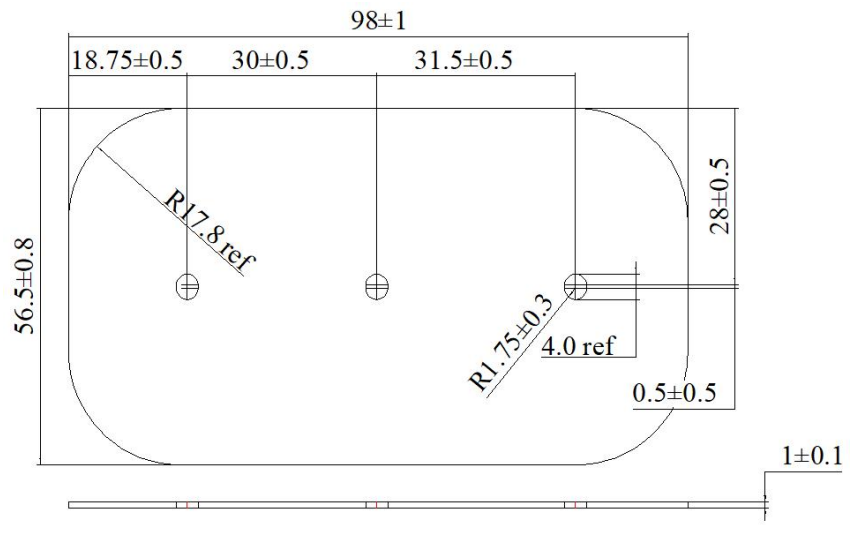
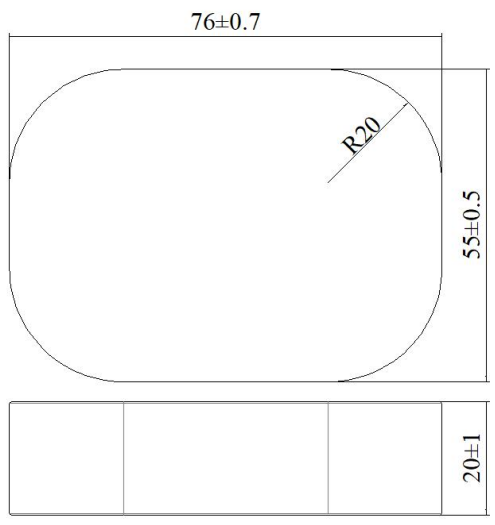
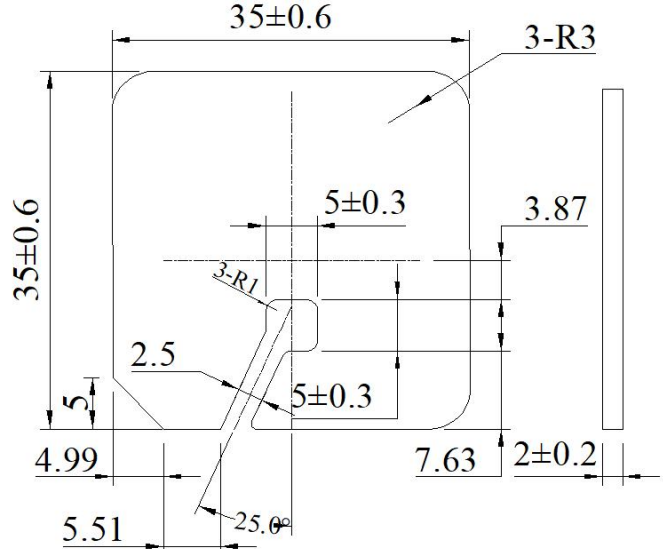
型号	I53B (I53-46.5-1.4H)	型号	I54A (I54-41-G3.0)
尺寸		尺寸	
型号	I66A (I66-58)	型号	I99.5A (I99.5-53.5-G4.0)
尺寸		尺寸	

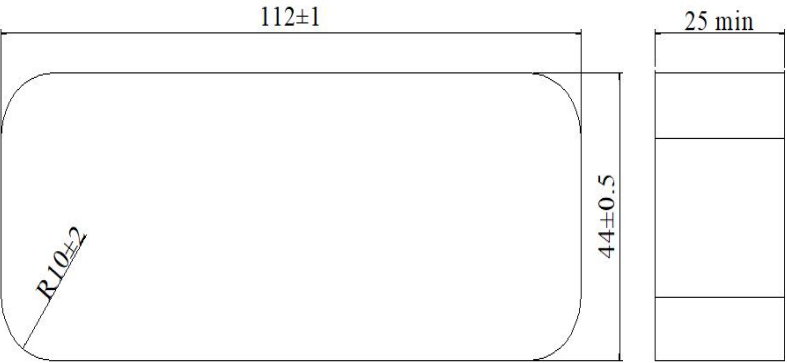
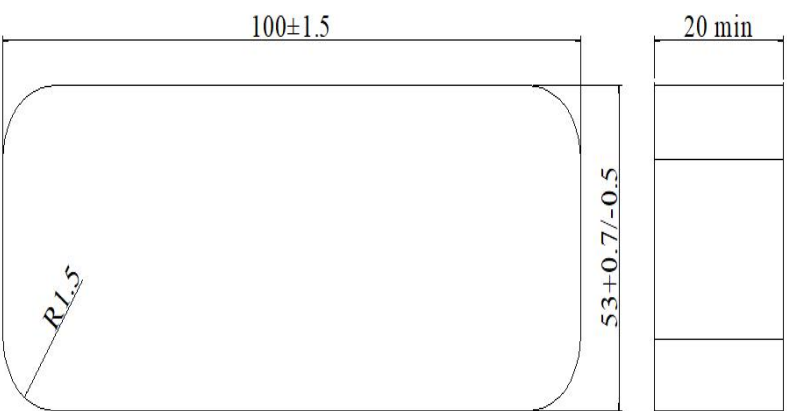
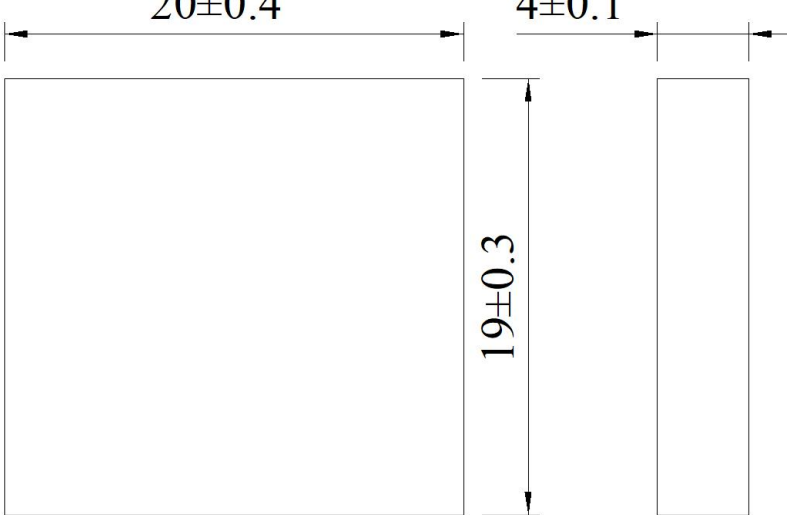

型号	T42A (T42-5.3-G3)	型号	T75A (T75-5.5-G5)
尺寸		尺寸	
型号	T22A (T22-6.1-1.6)	型号	R75
尺寸		尺寸	

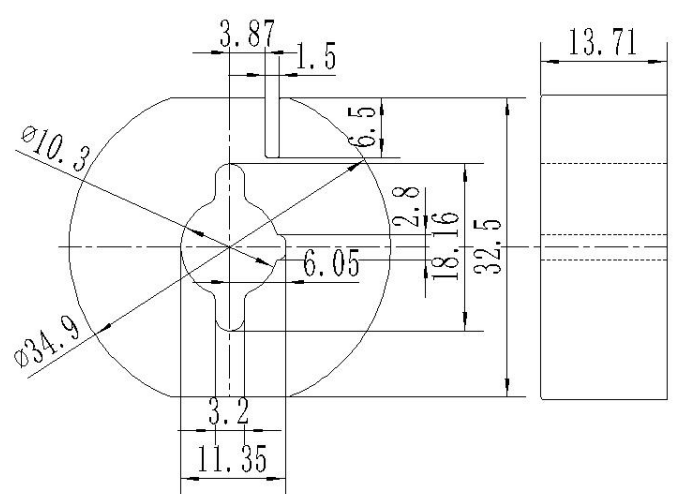
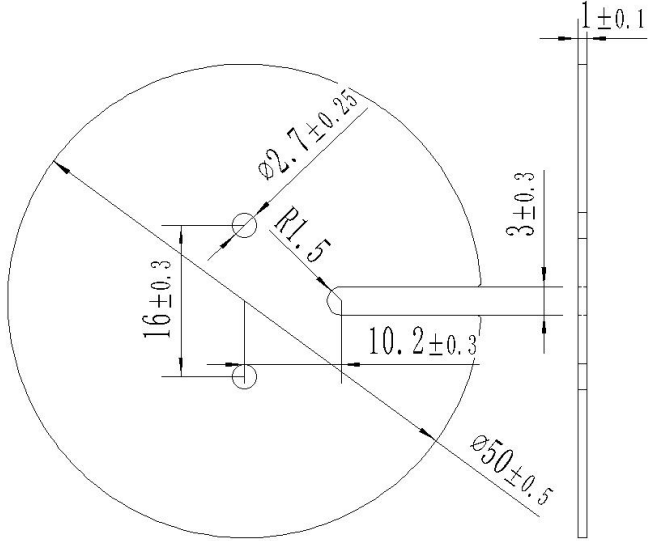
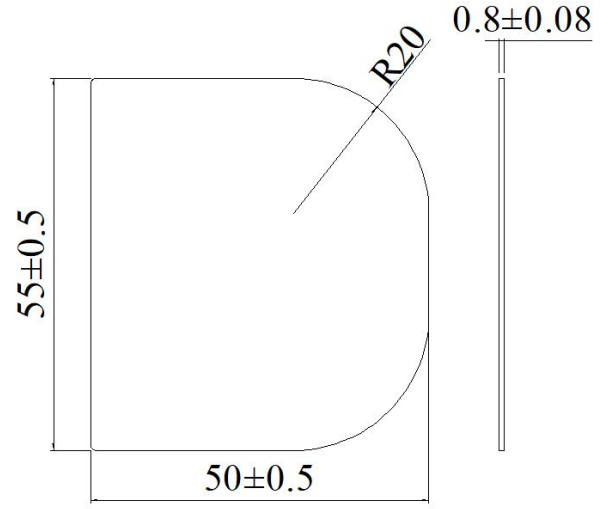
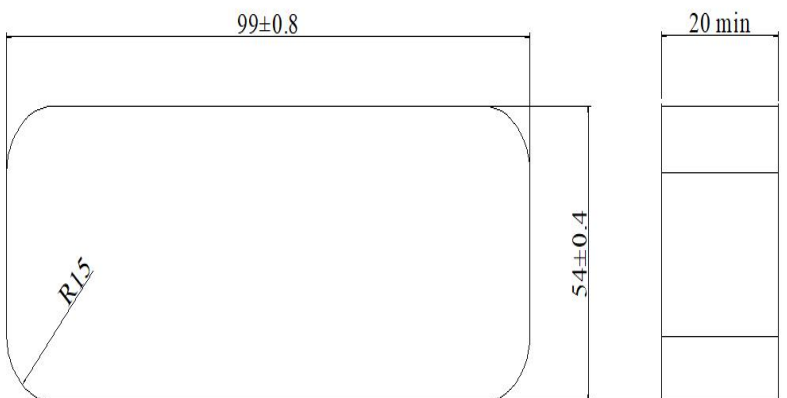
型号	R90	型号	R106
尺寸			
型号	R25	型号	R52
尺寸			

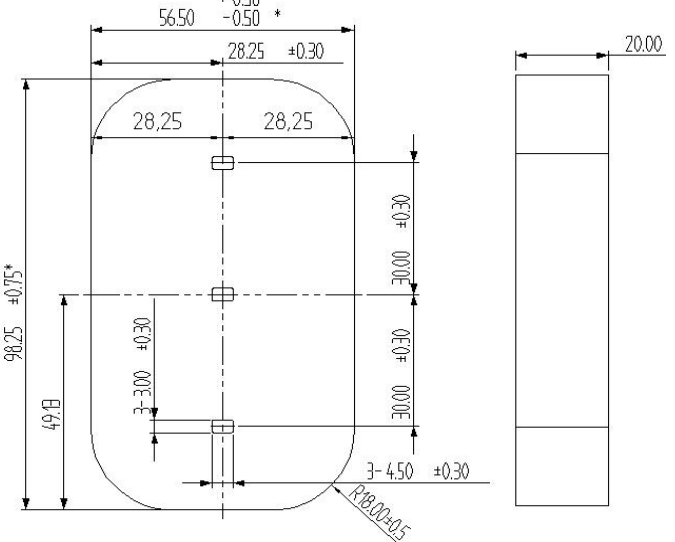
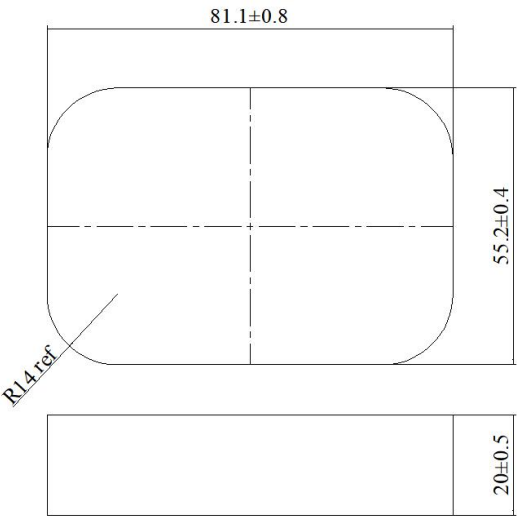
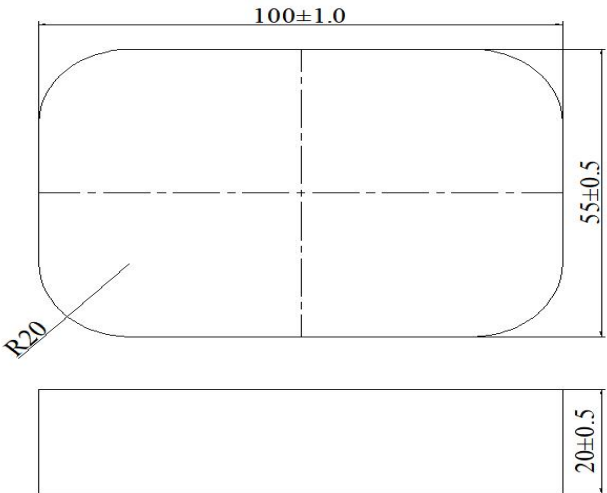
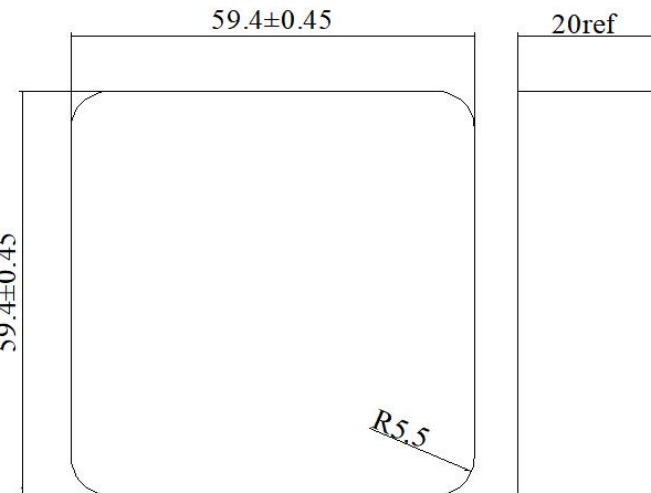
型号	R20	型号	I63.5-54
尺寸		尺寸	
型号	I36A (I36-36)	型号	T43.5B (T43.5-5.3)
尺寸		尺寸	

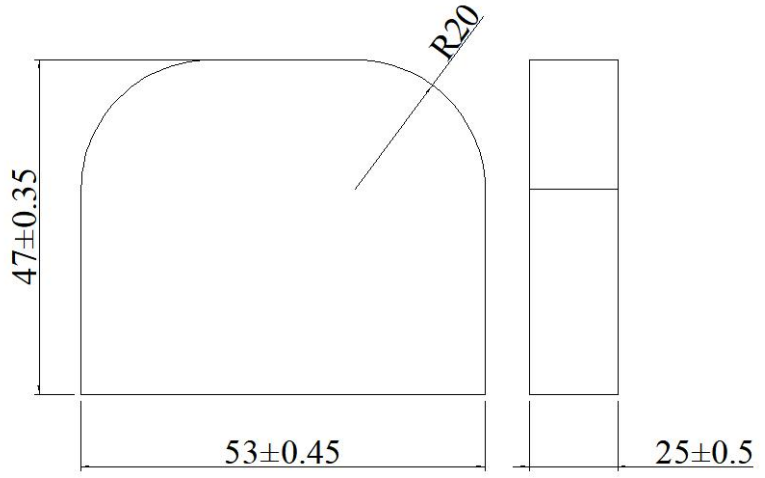
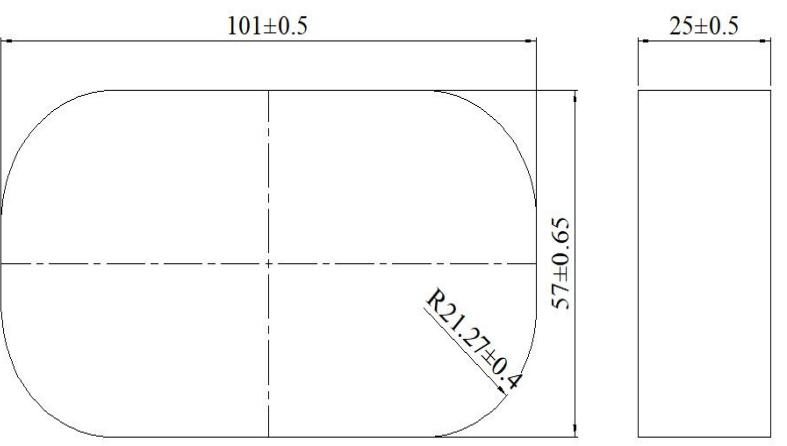
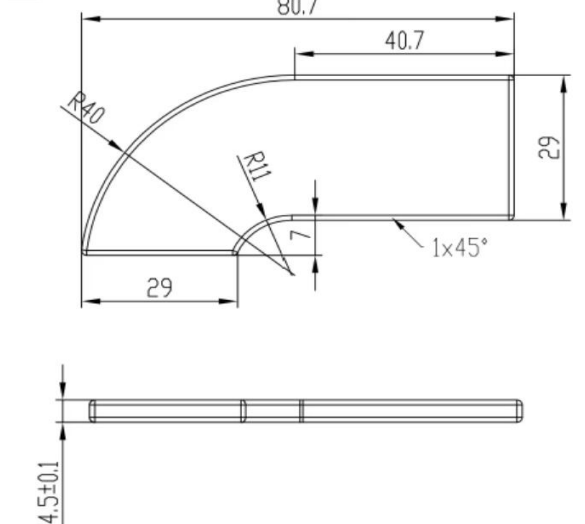
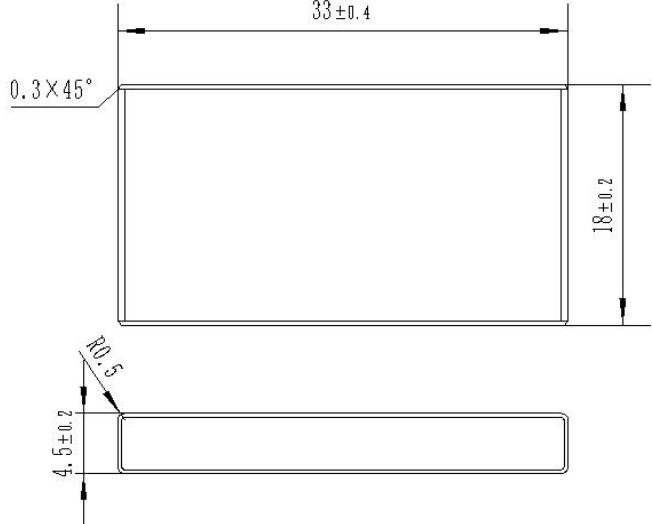


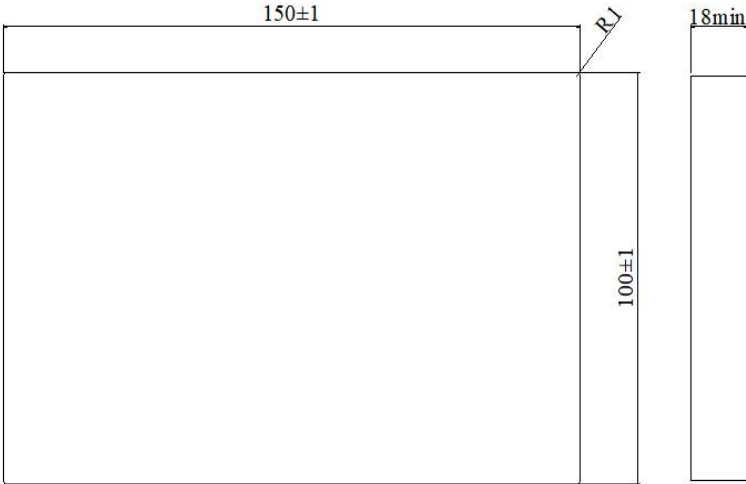
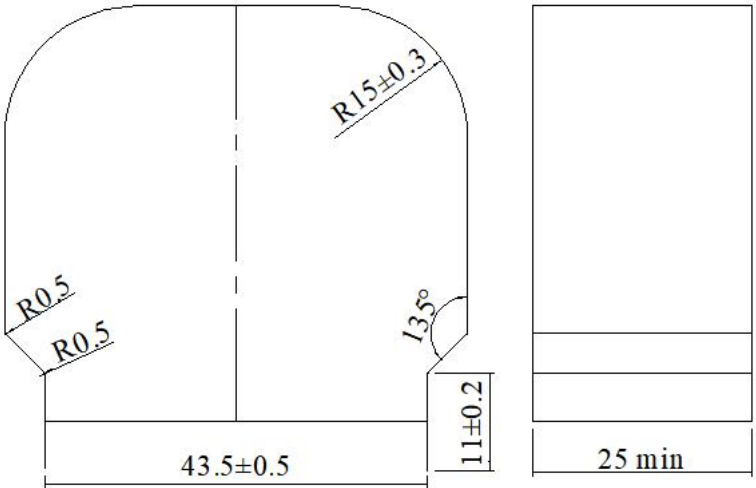
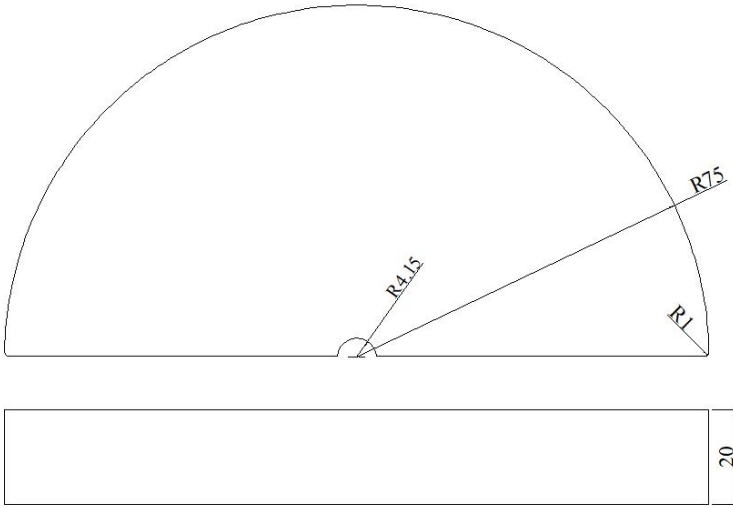
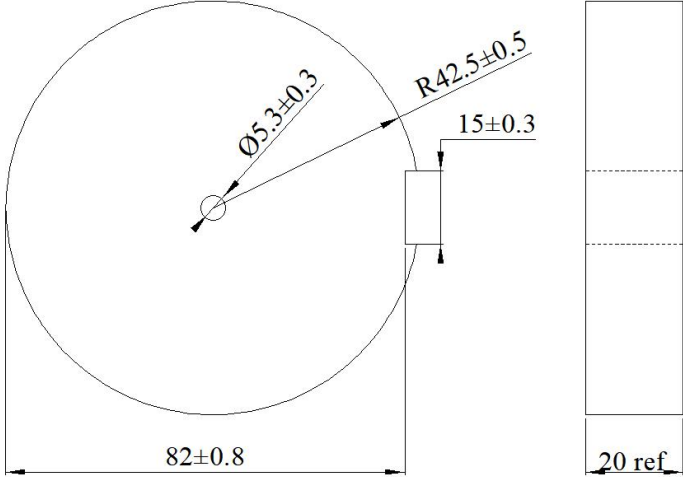
型号	I53.6A (I53.6-45.1)	型号	I98A (I98-56.5)
尺寸		尺寸	
型号	I76A (I76-55)	型号	I35A (I35-35-2)
尺寸		尺寸	

型号	I112.7-68.4	型号	I100-53
尺寸		尺寸	
型号	I20-19-4	型号	I19-19-2
尺寸		尺寸	

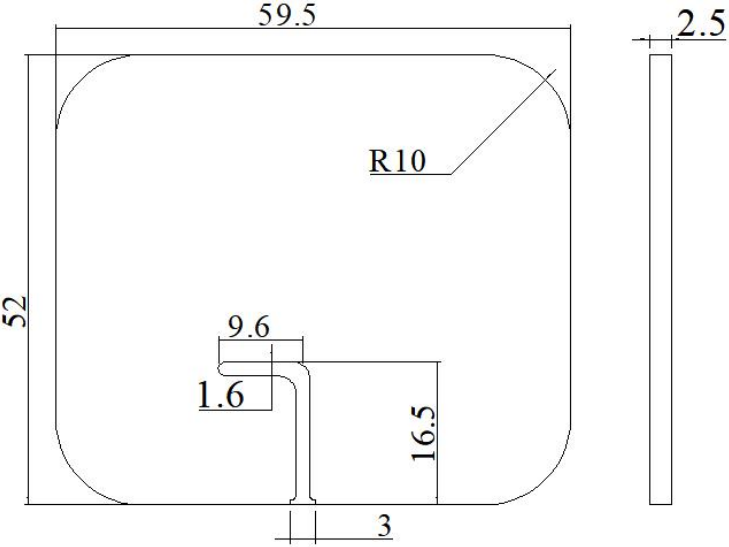
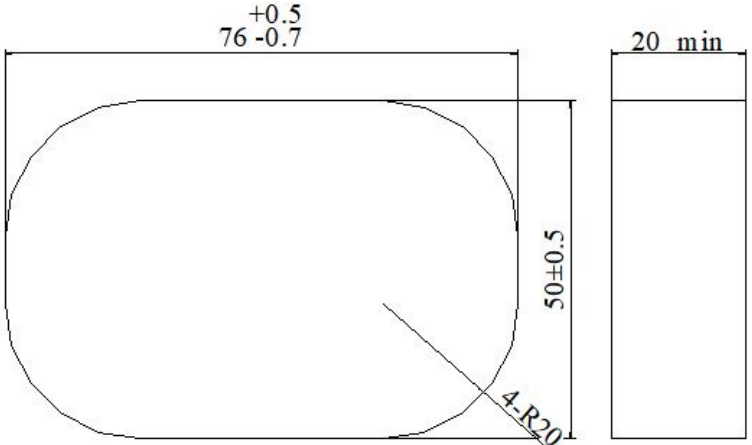
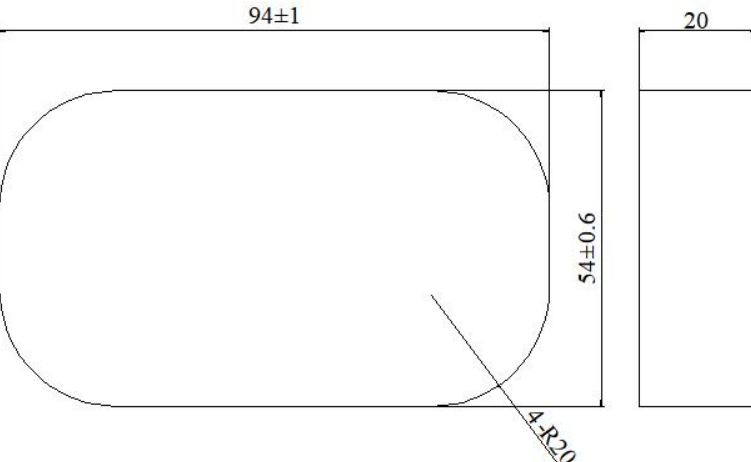
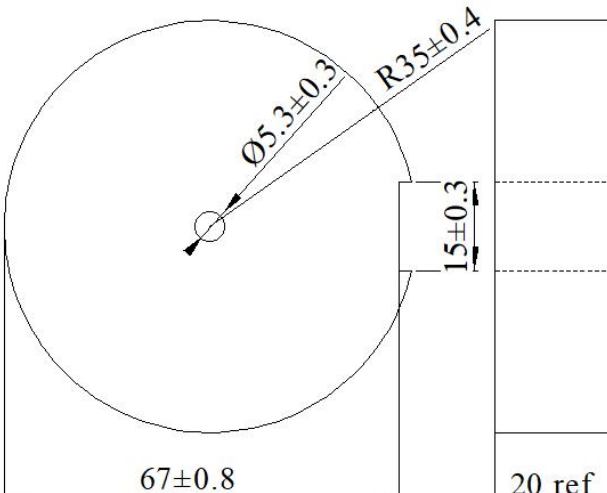
型号	T34.9-10.3	型号	I50-T2.7-G3-1.0
尺寸		尺寸	
型号	I55-50	型号	I99-54
尺寸		尺寸	

型号	I98. 25-56. 5	型号	I81. 1-55. 2
尺寸		尺寸	
型号	I100-55	型号	I59. 4-59. 4
尺寸		尺寸	

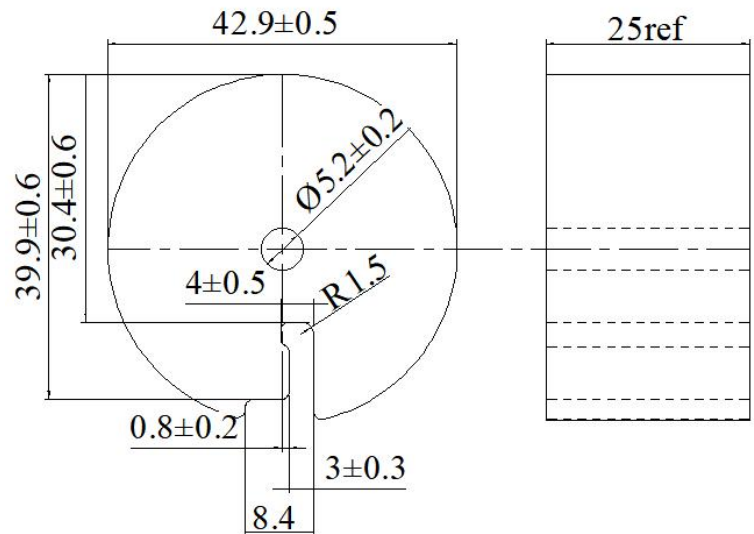
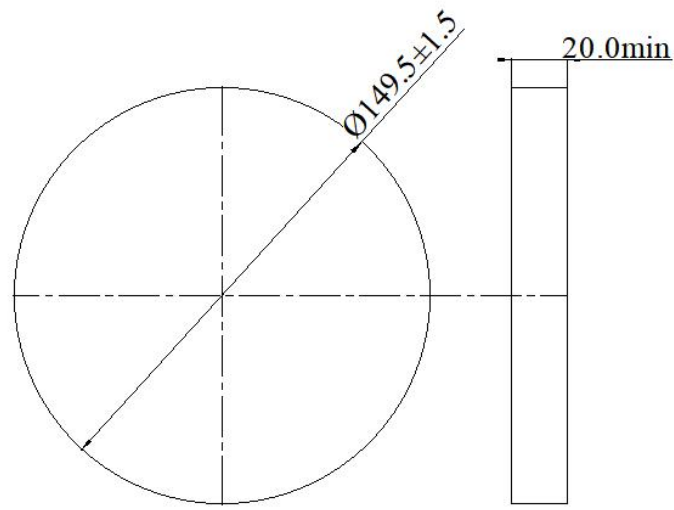
型号	I47-53	型号	I101-57
尺寸		尺寸	
型号	L80.7-29-4.5	型号	I33-18-4.5
尺寸		尺寸	

型号	I150-100	型号	I51.3-46.3
尺寸		尺寸	
型号	T150-5.8 双拼	型号	T85-5.3
尺寸		尺寸	

型号	T43. 1-5. 3-G3. 0	型号	I33A-25-2
尺寸		尺寸	
型号	T42-20. 1-G2. 0	型号	I56-49-G3
尺寸		尺寸	

型号	I59.5-52-L1.3	型号	I76-50
尺寸		尺寸	
型号	I94-54	型号	R70-5.3
尺寸		尺寸	



型号	T42.9-5.2-G3.0	型号	R149.5
尺寸		尺寸	
型号		型号	
尺寸		尺寸	

诚信铸就品质

创新引领未来



## 磁粉目录

# 桐乡·重庆耀润



# YR28

材料: YR28

特点: 主要应用于中频段(小于 200kHz)  
低磁芯损耗, 高饱和磁通密度  
损耗最低的温度点约在 100°C

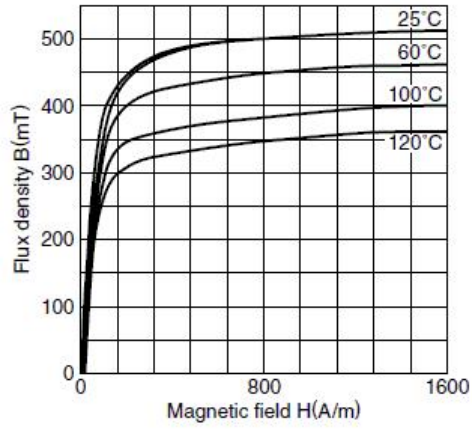
Material: YR28

Features: Mostly used at middle frequency(less than 200kHz)

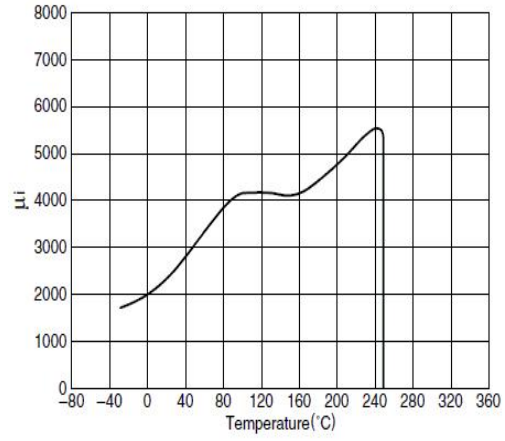
Low core loss and high saturation magnetic flux density

The temperature point of the lowest core loss at 100°C

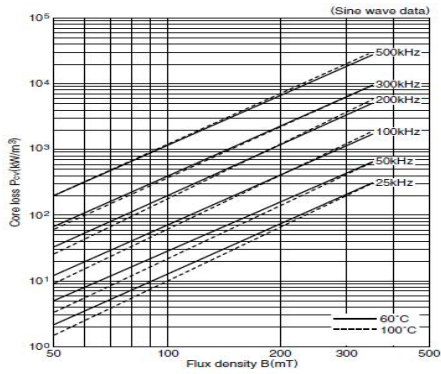
材质 Material				YR28	
初始磁导率 Initial permeability	$\mu_i$			2300±25%	
振幅磁导率 Amplitude permeability	$\mu_a$			3000min	
功率损耗* Core loss	Pcv	kW/m <sup>3</sup>	25kHz 200mT 正弦波	25°C	120
				60°C	80
				100°C	70
				120°C	85
			100kHz 200mT 正弦波	25°C	600
				60°C	450
				100°C	410
				120°C	500
饱和磁通密度* magnetic flux density	Bs	mT	H=1194 A/m	25°C	510
				60°C	450
				100°C	390
				120°C	350
剩余磁通密度* Remanent flux density	Br	mT		25°C	95
				60°C	65
				100°C	55
				120°C	50
矫顽力* Coercive force	Hc	A/m		25°C	14.3
				60°C	10.3
				100°C	8.8
				120°C	8
居里温度 Curie temperature	Tc	°C	>215		
密度* Density	db	g/cm <sup>3</sup>	4.8		
电阻率* Electrical resistivity	$\rho$	$\Omega \cdot m$	6.5		



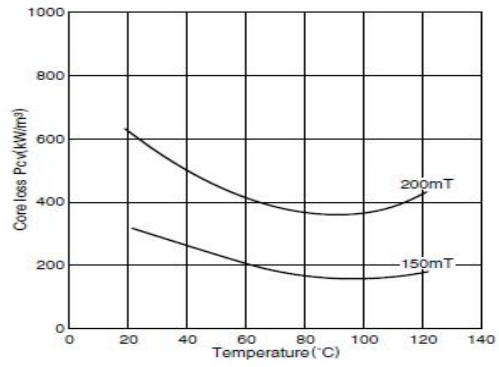
B-H



$\mu_i$ -T



$P_{cv}$ - $B_m$



$P_{cv}$ -T

# YR48

材料: YR48

特点: 主要应用于中频段(小于 300kHz)

低磁芯损耗, 高饱和磁通密度

损耗最低的温度点约在 100°C

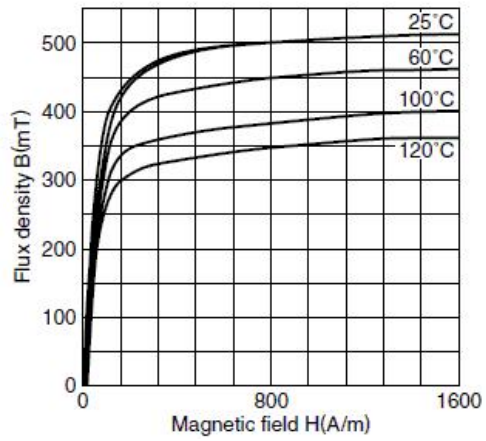
Material: YR48

Features: Mostly used at middle frequency(less than 300kHz)

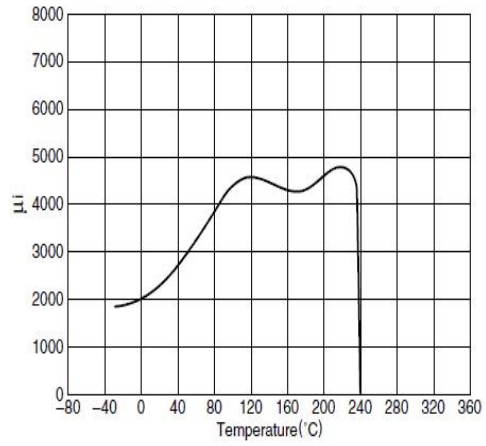
Low core loss and high saturation magnetic flux density

The temperature point of the lowest core loss at 100°C

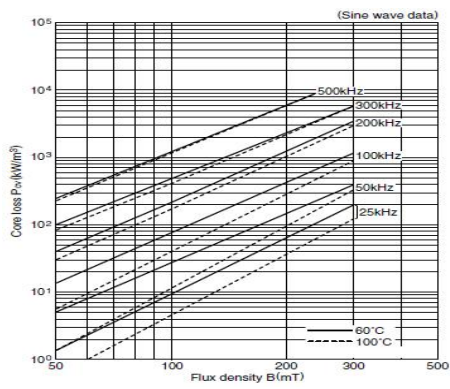
材质		YR48		
Material				
初始磁导率 Initial permeability	$\mu_i$	2400±25%		
振幅磁导率 Amplitude permeability	$\mu_a$	3000min		
功率损耗* Core loss	Pcv	kW/m <sup>3</sup>	25°C	
			25kHz 200mT 正弦波	
			60°C	
			100°C	
			120°C	
			25°C	600
			100kHz 200mT 正弦波	
			60°C	400
100°C	300			
120°C	380			
饱和磁通密度* Saturation magnetic flux density	Bs	mT	H=1194A/m	
			25°C	510
			60°C	450
			100°C	390
120°C	350			
剩余磁通密度* Remanent flux density	Br	mT	25°C	110
			60°C	70
			100°C	60
			120°C	55
矫顽力* Coercive force	Hc	A/m	25°C	13
			60°C	9
			100°C	6.5
			120°C	6
居里温度 Curie temperature	Tc	°C	>215	
密度* Density	db	g/cm <sup>3</sup>	4.8	
电阻率* Electrical resistivity	$\rho$	$\Omega \cdot m$	6.5	



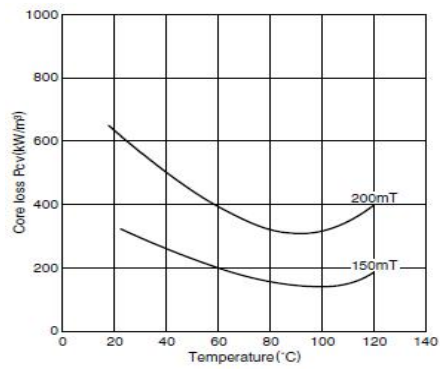
B-H



$\mu_i$ -T



$P_{cv}$ - $B_m$



$P_{cv}$ -T

# YR48D

材料: YR48D

特点: 主要应用于中频段(小于 300kHz)  
低磁芯损耗, 高饱和磁通密度  
损耗最低的温度点约在 100°C

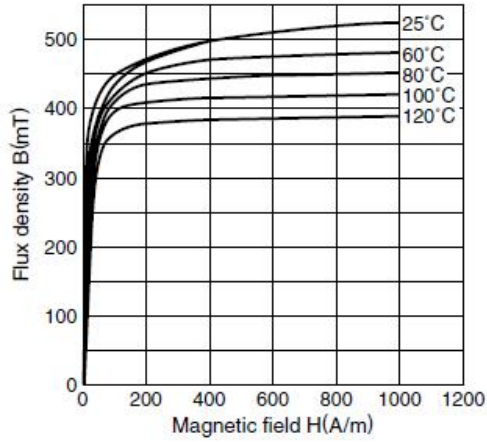
Material: YR48D

Features: Mostly used at middle frequency(less than 300kHz)

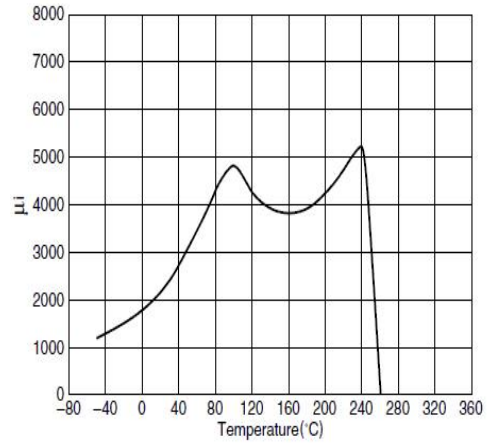
Low core loss and high saturation magnetic flux density

The temperature point of the lowest core loss at 100°C

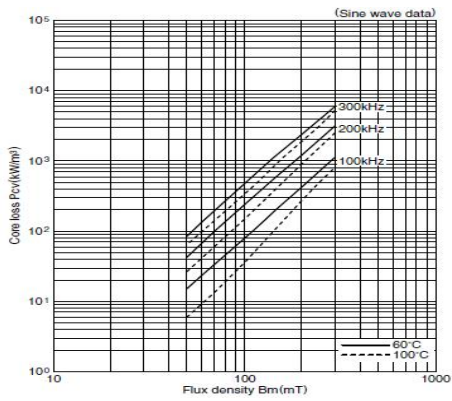
材质		YR48D			
Material		YR48D			
初始磁导率 Initial permeability	$\mu_i$	2500±25%			
振幅磁导率 Amplitude permeability	$\mu_a$				
功率损耗* Core loss	Pcv	kW/m <sup>3</sup>	25kHz	25°C	
			200mT	60°C	
				100°C	
			正弦波	120°C	
				25°C	600
			100kHz	60°C	400
			200mT	100°C	250
			正弦波	120°C	360
25°C	530				
饱和磁通密度* Saturation magnetic flux density	Bs	mT	H=1194 A/m	60°C	480
				100°C	420
				120°C	390
				25°C	180
剩余磁通密度* Remanent flux density	Br	mT		60°C	100
				100°C	60
				120°C	60
				25°C	13
矫顽力* Coercive force	Hc	A/m		60°C	9
				100°C	6
				120°C	7
				25°C	>230
居里温度 Curie temperature	Tc	°C	>230		
密度* Density	db	g/cm <sup>3</sup>	4.9		
电阻率* Electrical resistivity	$\rho$	$\Omega \cdot m$	4		



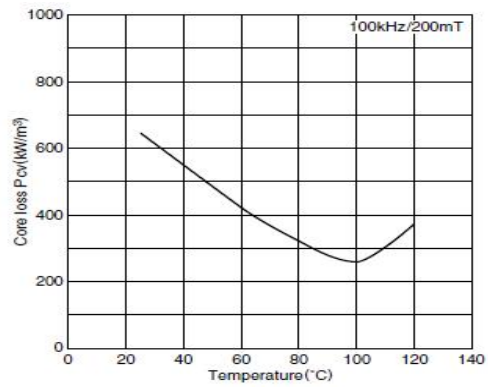
B-H



$\mu_i$ -T



$P_{cv}$ - $B_m$



$P_{cv}$ -T

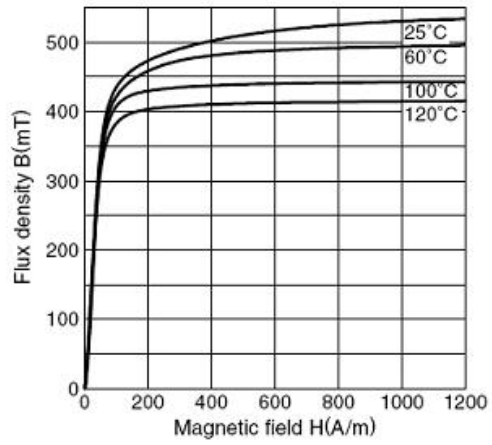


# YR48B

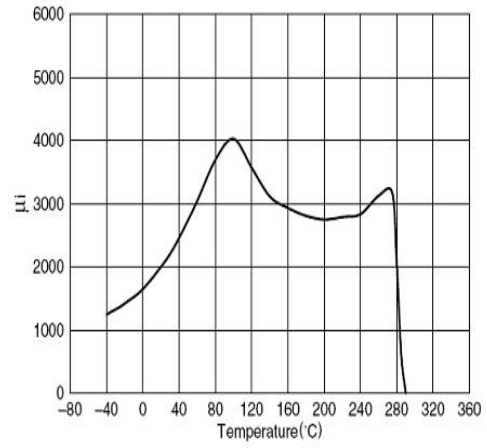
材料: YR48B  
 特点: 高饱和磁通密度  
 较高的居里温度  
 较低的功率损耗

Material: YR48B  
 Features: High saturation magnetic flux  
 High curie temperature  
 Low core loss

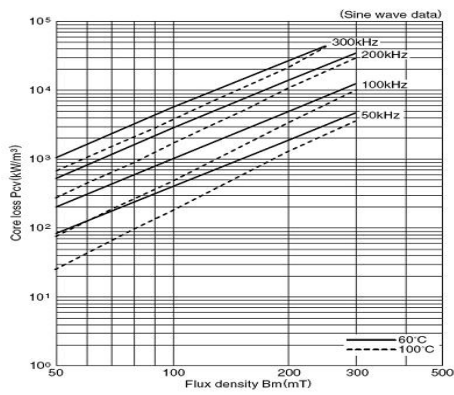
材质		YR48B			
Material		YR48B			
初始磁导率 Initial permeability	$\mu_i$	2200±25%			
振幅磁导率 Amplitude permeability	$\mu_a$				
功率损耗* Core loss	Pcv	kW/m <sup>3</sup>	25kHz	25℃	
			200mT	60℃	
				100℃	
			正弦波	120℃	
				25℃	680
			100kHz	60℃	470
				100℃	320
			200mT	120℃	460
25℃	540				
饱和磁通密度* magnetic flux density	Bs	mT	H=1194 A/m	60℃	500
				100℃	450
				120℃	420
				25℃	170
剩余磁通密度* Remanent flux density	Br	mT		60℃	95
				100℃	60
				120℃	65
				25℃	13
矫顽力* Coercive force	Hc	A/m		60℃	9
				100℃	6.5
				120℃	7
				25℃	>250
居里温度 Curie temperature	Tc	℃	>250		
密度* Density	db	g/cm <sup>3</sup>	4.9		
电阻率* Electrical resistivity	$\rho$	$\Omega \cdot m$	4		



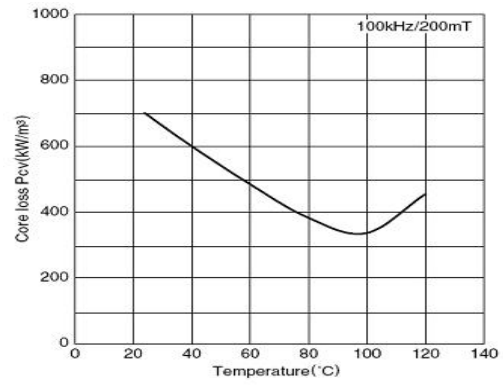
B-H



$\mu_i$ -T



$P_{cv}$ - $B_m$



$P_{cv}$ -T

# YR98

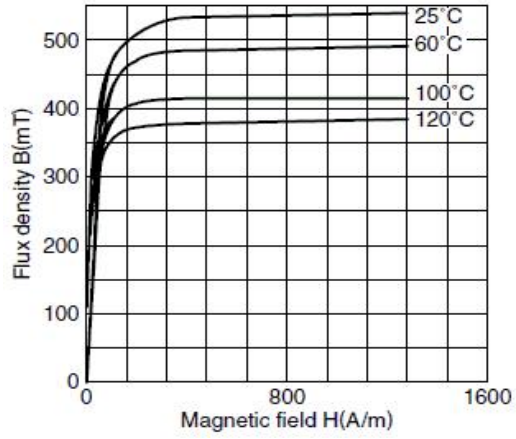
材料: YR98  
 特点: 宽温度低损耗  
 高饱和磁通密度

Material: YR98  
 Features: Low core loss in a wide temperature ranges  
 High saturation magnetic flux density

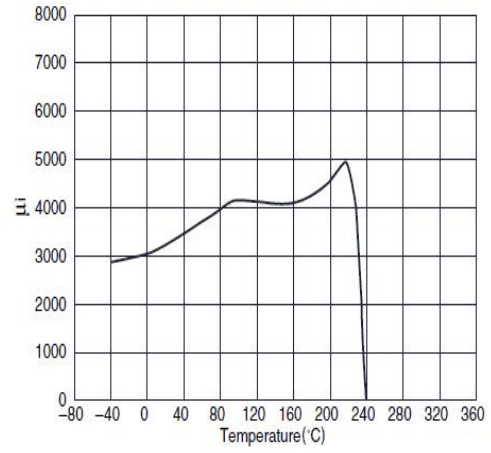
材质		YR98			
Material		YR98			
初始磁导率 Initial permeability	$\mu_i$	3300±25%			
振幅磁导率 Amplitude permeability	$\mu_a$				
功率损耗* Core loss	Pcv	kW/m <sup>3</sup>	25kHz	25°C	
			200mT 正弦波	60°C	
				100°C	
				120°C	
				25°C	350
			100kHz 200mT 正弦波	60°C	
				100°C	290
				120°C	350
25°C	530				
饱和磁通密度* magnetic flux density	Bs	mT	H=1194 A/m	60°C	480
				100°C	410
				120°C	380
				25°C	85
剩余磁通密度* Remanent flux density	Br	mT		60°C	70
				100°C	60
				120°C	55
				25°C	9.5
矫顽力* Coercive force	Hc	A/m		60°C	7.5
				100°C	6.5
				120°C	6
				25°C	>215
居里温度 Curie temperature	Tc	°C			
密度* Density	db	g/cm <sup>3</sup>	4.9		
电阻率* Electrical resistivity	$\rho$	$\Omega \cdot m$	6		

\* 平均值 Average value;

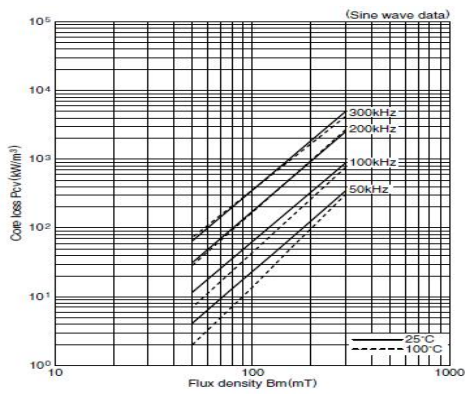
\*\* 500kHz, 50mT



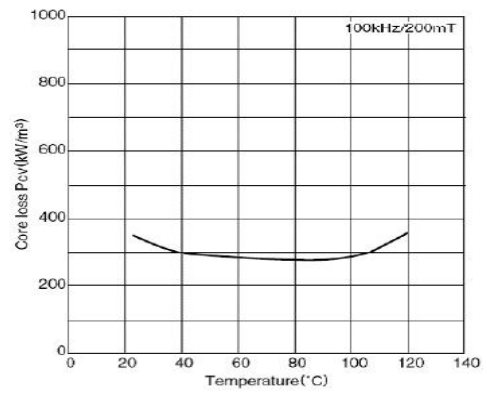
B-H



μ<sub>i</sub>-T



P<sub>cv</sub>-B<sub>m</sub>



P<sub>cv</sub>-T

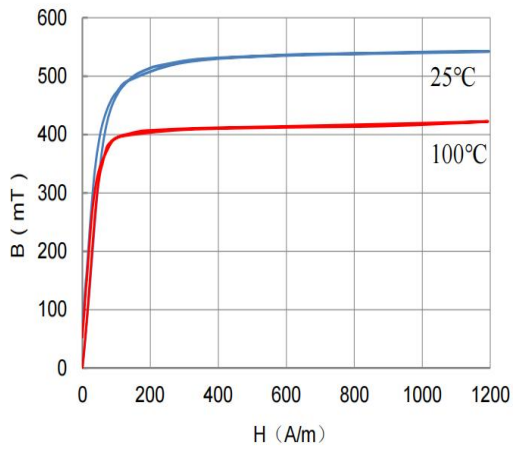
# YR98B

材料: YR98B  
特点: 宽温宽频低损耗材料

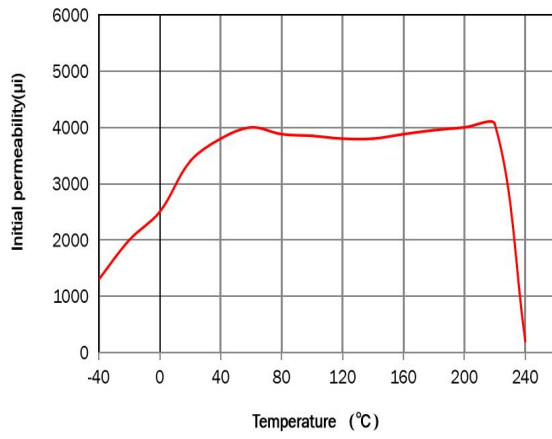
Material: YR98B  
Features: Wide Temp& Wide Freq low loss

材质				YR98B	
Material				YR98B	
初始磁导率 Initial permeability	$\mu_i$			3500±25%	
振幅磁导率 Amplitude permeability	$\mu_a$				
功率损耗* Core loss	Pcv	kW/m <sup>3</sup>	25°C	330	
			100kHz	80°C	260
			200mT	100°C	290
			正弦波	120°C	340
				140°C	390
			200kHz	80°C	140
			100mT	100°C	150
			正弦波	120°C	180
				140°C	210
			200kHz	80°C	450
			150mT	100°C	420
			正弦波	120°C	500
	140°C	600			
饱和磁通密度* magnetic flux density	Bs	mT	H=1194	25°C	530
			A/m	100°C	420
剩余磁通密度* flux density	Br	mT		25°C	80
				100°C	60
矫顽力* Coercive force	Hc	A/m		25°C	10
				100°C	8
居里温度 Curie temperature	Tc	°C			>220
密度* Density	db	g/cm <sup>3</sup>			4.9
电阻率* Electrical resistivity	$\rho$	$\Omega \cdot m$			7

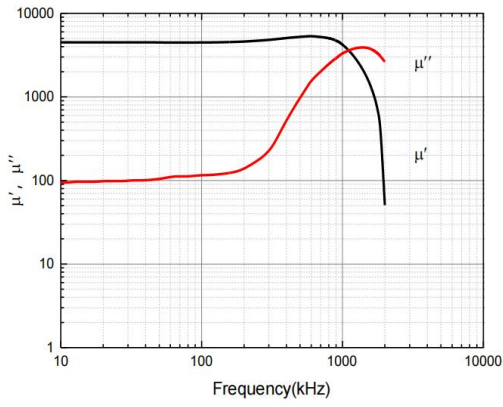
\* 平均值 Average value;



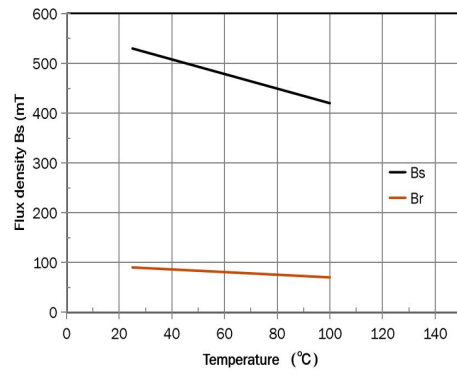
B-H



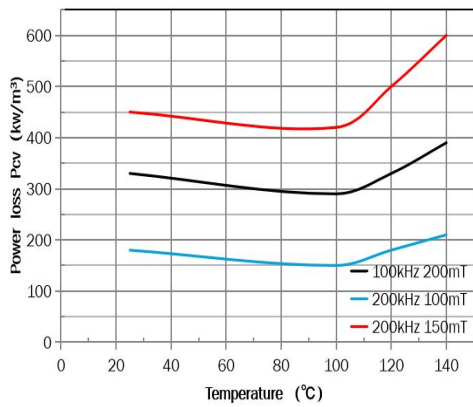
$\mu_i$ -T



$\mu$ -F



$B_s$ -T



$P_{cv}$ -T

# YR98E

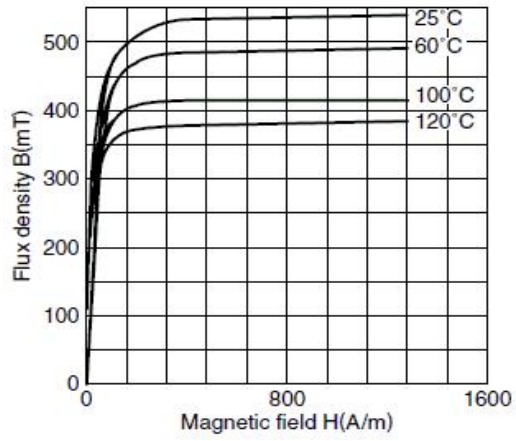
材料: YR98E  
 特点: 宽温宽频低损耗材料

Material: YR98E  
 Features: Wide Temp& Wide Freq low loss

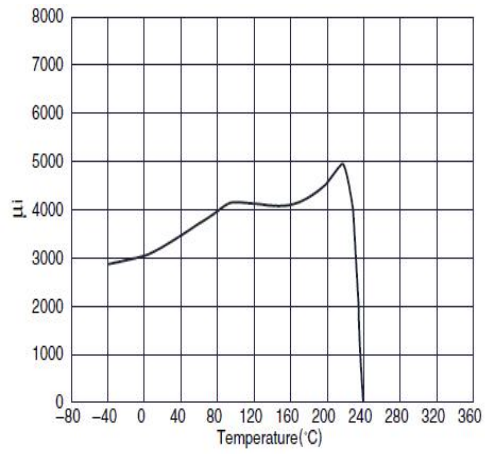
材质 Material		YR98E			
初始磁导率 Initial permeability	$\mu_i$	3500±25%			
振幅磁导率 Amplitude permeability	$\mu_a$				
功率损耗* Core loss	Pcv	kW/m <sup>3</sup>	25kHz	25℃	
			200mT	60℃	
				100℃	
			正弦波	120℃	
				25℃	260/260**
			100kHz	60℃	
				100℃	270/290**
			200mT	120℃	320
25℃	530				
饱和磁通密度* magnetic flux density	Bs	mT	H=1194	25℃	
			A/m	60℃	
				100℃	420
			120℃		
剩余磁通密度* Remanent flux density	Br	mT		25℃	
				60℃	
				100℃	70
				120℃	
矫顽力* Coercive force	Hc	A/m		25℃	
				60℃	
				100℃	8
				120℃	
居里温度 Curie temperature	Tc	℃	>215		
密度* Density	db	g/cm <sup>3</sup>	4.9		
电阻率* Electrical resistivity	$\rho$	$\Omega \cdot m$	6		

\* 平均值 Average value;

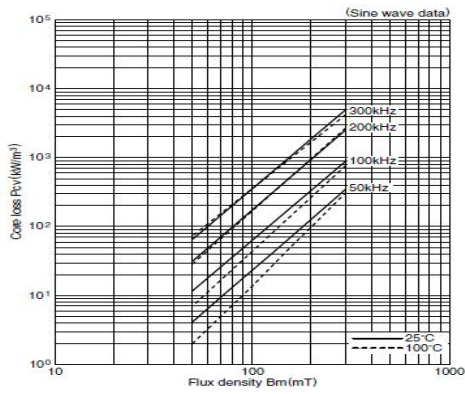
\*\* 300kHz, 100mT



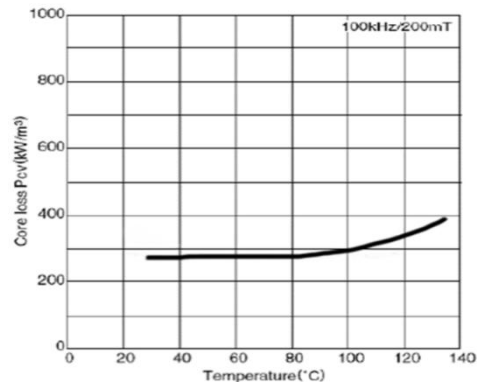
B-H



μ i-T



Pcv-Bm



Pcv-T



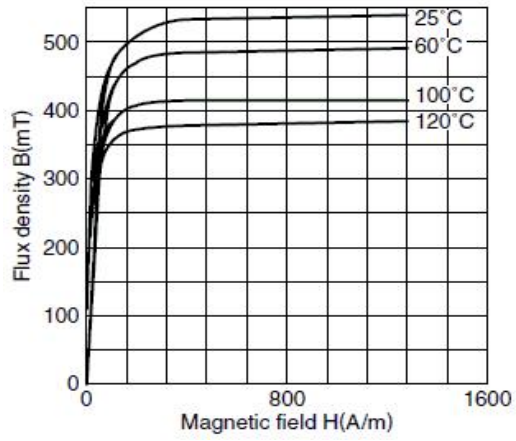
# YR98G

材料: YR98G  
 特点: 宽温高饱和磁通密度材料

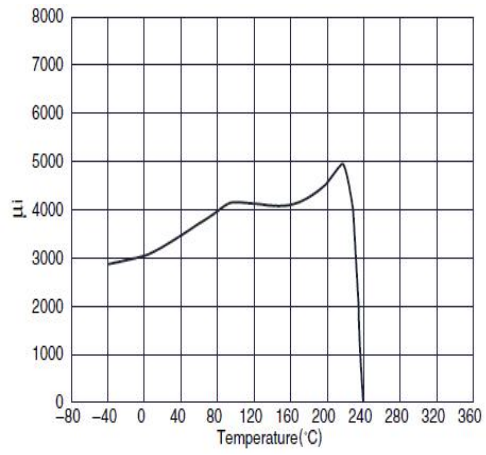
Material: YR98G  
 Features: Wide Temp & High Bs

材质 Material		YR98G			
初始磁导率 Initial permeability	$\mu_i$	3300±25%			
振幅磁导率 Amplitude permeability	$\mu_a$				
功率损耗* Core loss	Pcv	kW/m <sup>3</sup>	25kHz	25°C	
			200mT	80°C	
				100°C	
			正弦波	120°C	
				25°C	380
			100kHz	80°C	360
				100°C	370
			正弦波	120°C	400
25°C	540				
饱和磁通密度* magnetic flux density	Bs	mT	H=1194	25°C	
			A/m	60°C	
				100°C	450
				120°C	
剩余磁通密度* Remanent flux density	Br	mT	25°C	90	
			60°C		
			100°C	60	
			120°C		
矫顽力* Coercive force	Hc	A/m	25°C	10	
			60°C		
			100°C	6.5	
			120°C		
居里温度 Curie temperature	Tc	°C	>230		
密度* Density	db	g/cm <sup>3</sup>	4.85		
电阻率* Electrical resistivity	$\rho$	$\Omega \cdot m$	6		

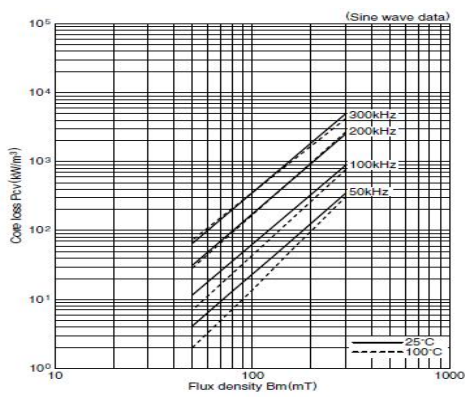
\* 平均值 Average value;



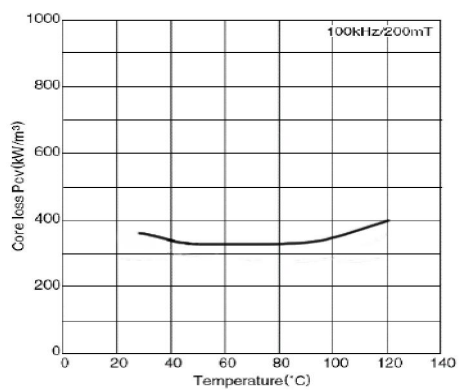
B-H



μ i-T



Pcv-Bm



Pcv-T

# YR58

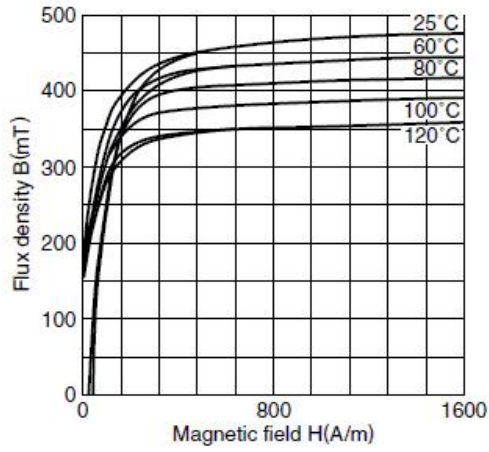
材料: YR58  
 特点: 主要应用于高频段  
 (500kHz 到 1MHz)  
 损耗最低的温度点约在 100°C

Material: YR58  
 Features: Mostly used at high frequency(from  
 500kHz to 1MHz )  
 The temperature point of the lowest core loss at  
 100°C

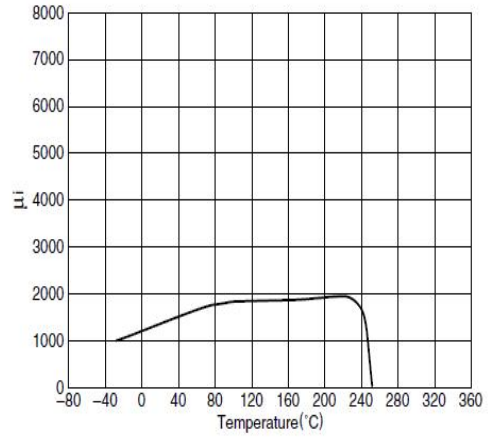
材质 Material	YR58				
初始磁导率 Initial permeability	$\mu_i$	1400±25%			
振幅磁导率 Amplitude permeability	$\mu_a$				
功率损耗* Core loss	Pcv	kW/m <sup>3</sup>	25kHz 200mT 正弦波	25°C	
				60°C	
				100°C	
				120°C	
			100kHz 200mT 正弦波	25°C	130**
				60°C	80**
				100°C	80**
				120°C	110**
饱和磁通密度* magnetic flux density	Bs	mT	H=1194 A/m	25°C	470
				60°C	440
				100°C	380
				120°C	350
剩余磁通密度* Remanent flux density	Br	mT		25°C	140
				60°C	110
				100°C	98
				120°C	100
矫顽力* Coercive force	Hc	A/m		25°C	36.5
				60°C	31
				100°C	27.2
				120°C	26
居里温度 Curie temperature	Tc	°C	>240		
密度* Density	db	g/cm <sup>3</sup>	4.8		
电阻率* Electrical resistivity	$\rho$	$\Omega \cdot m$	30		

\* 平均值 Average value;

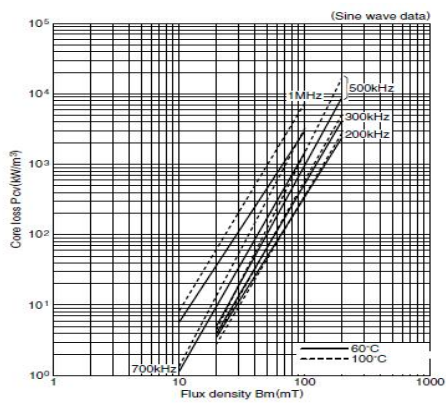
\*\* 500kHz, 50mT



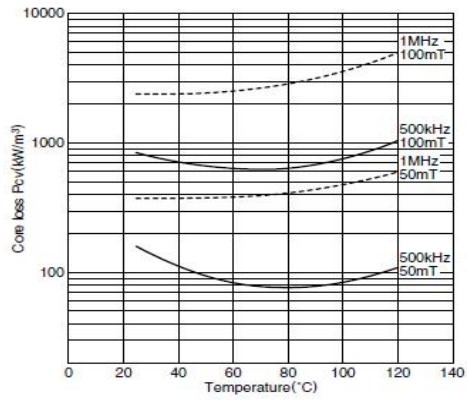
B-H



μ<sub>i</sub>-T



P<sub>cv</sub>-B<sub>m</sub>



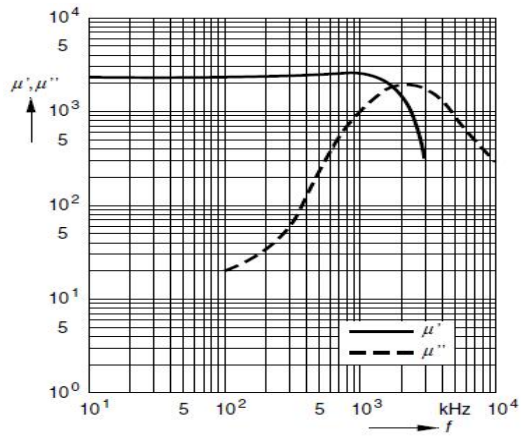
P<sub>cv</sub>-T

# YR48Q

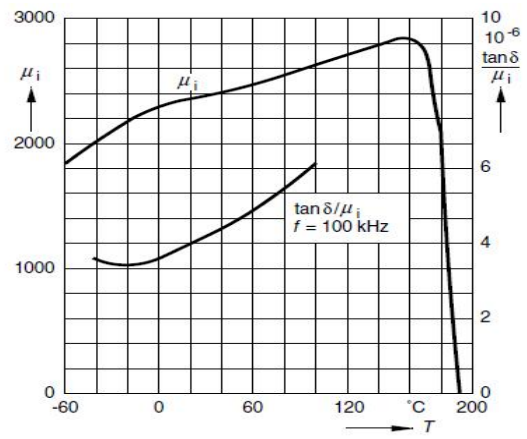
材料: YR48Q  
特点: 低比损耗因子  
低磁滞损耗系数

Material: YR48Q  
Features: Low relative loss factor  
Low hysteresis material constant

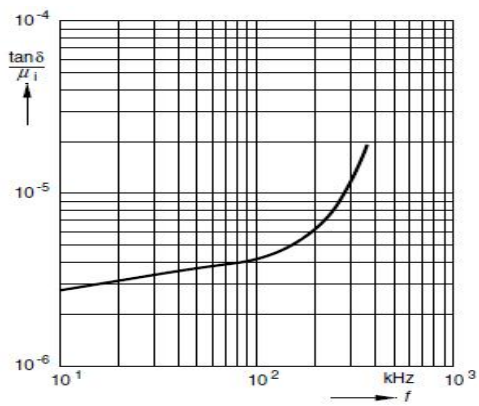
材质 Material			YR48Q
初始磁导率 Initial permeability	$\mu_i$		2300±25%
比损耗系数 Relative loss factor	$\tan\delta/\mu_i$	$\times 10^{-6}$	$\leq 4$ (10kHz) $\leq 6$ (100kHz)
饱和磁通密度 Saturation magnetic flux density (H=1194A/m)	$B_s$	mT	420 (25°C) 310 (100°C)
剩余磁通密度 Remanent flux density	$B_r$	mT	
矫顽力 Coercive force	$H_c$	A/m	
比温度系数 Relative temperature coefficient (20~60°C)	$\alpha_{\mu r}$	$\times 10^{-6}/^\circ\text{C}$	0.3~1.3
比磁滞损耗系数 Hysteresis material constant 25°C,10kHz,1.5~3mT	$\eta_B$	$\times 10^{-6}/\text{mT}$	<0.4
居里温度 Curie temperature	$T_c$	°C	>170
电阻率 Electrical resistivity	$\rho$	$\Omega\cdot\text{m}$	
密度 Density	$d$	$\text{g}/\text{cm}^3$	



$\mu - f$



$\tan \delta / \mu_i - T$



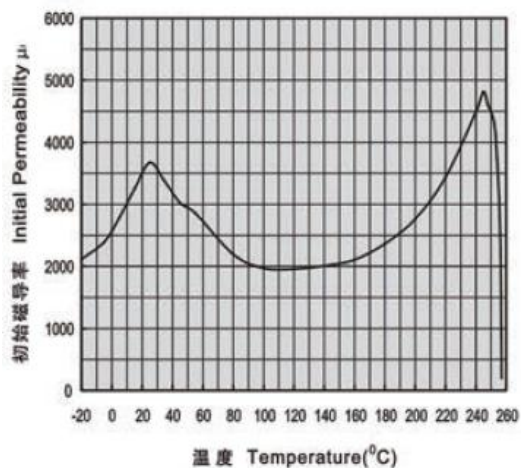
$\tan \delta / \mu_i - f$

# YR38Q

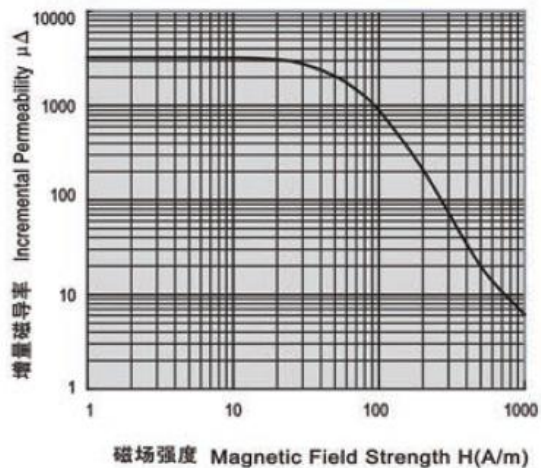
材料: YR38Q  
特点: 高磁导率(约 3800)  
高饱和磁通密度  
较高的居里温度

Material: YR38Q  
Features: High initial permeability(about 3800)  
High saturation magnetic flux density  
High curie temperature

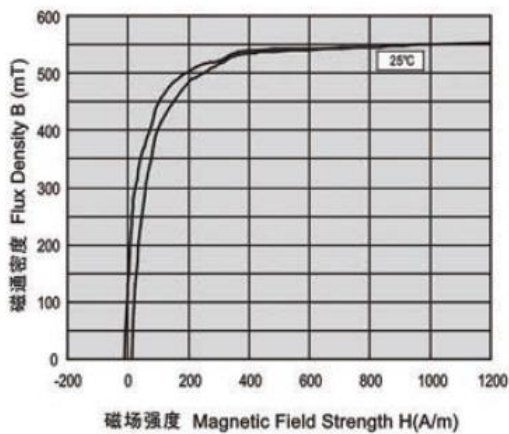
材质 Material			YR38Q
初始磁导率 Initial permeability	$\mu_i$		3800±25%
比损耗系数 Relative loss factor	$\tan\delta/\mu_i$	$\times 10^{-6}$	$\approx 1$ (10kHz) $\approx 2$ (100kHz)
饱和磁通密度 Saturation magnetic flux density (H=1194A/m)	$B_s$	mT	550 (25°C) 435 (100°C)
剩余磁通密度 Remanent flux density	$B_r$	mT	
矫顽力 Coercive force	$H_c$	A/m	12
比温度系数 Relative temperature coefficient (20~60°C)	$\alpha_{\mu r}$	$\times 10^{-6}/^\circ\text{C}$	$\approx 4.4$ (5~25°C) $\approx -2.2$ (25~55°C)
比磁滞损耗系数 Hysteresis material constant 25°C, 10kHz, 1.5~3mT	$\eta_B$	$\times 10^{-6}/\text{mT}$	<0.3
居里温度 Curie temperature	$T_c$	°C	>255
电阻率 Electrical resistivity	$\rho$	$\Omega \cdot \text{m}$	
密度 Density	$d$	$\text{g}/\text{cm}^3$	



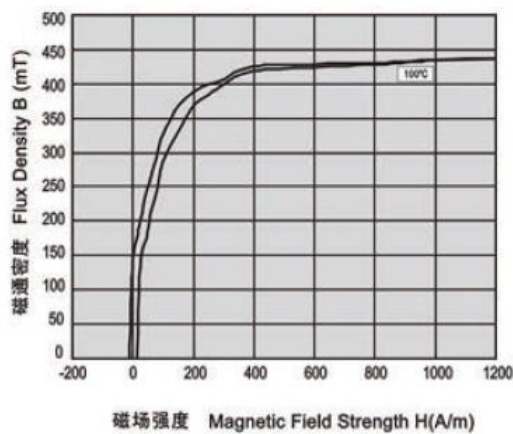
$\mu$  - T



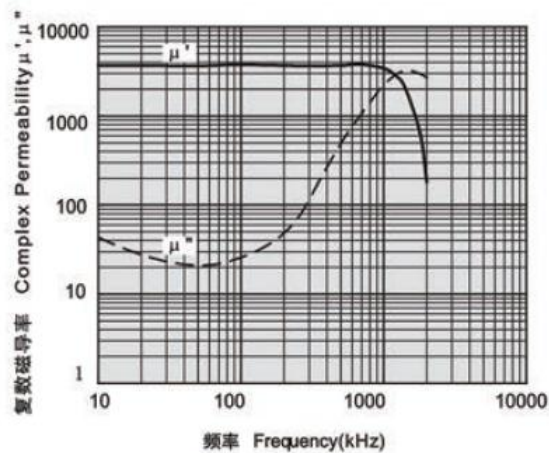
$\mu_{\Delta}$  - H



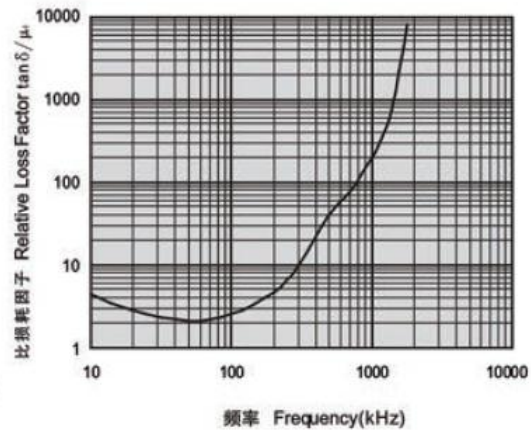
B-H (25 $^{\circ}\text{C}$ )



B-H (100 $^{\circ}\text{C}$ )



$\mu$  - f



$\tan \delta / \mu$  - f

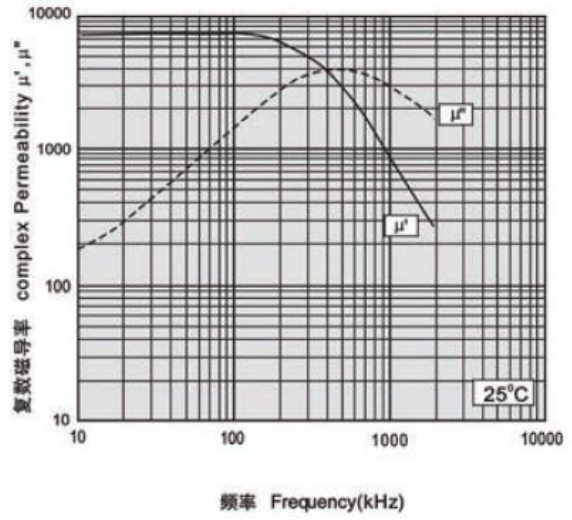
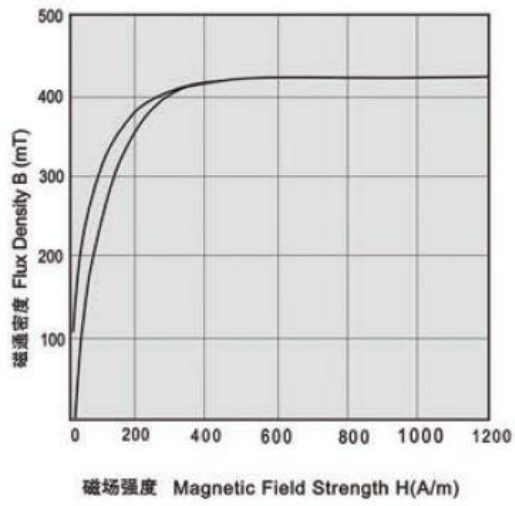
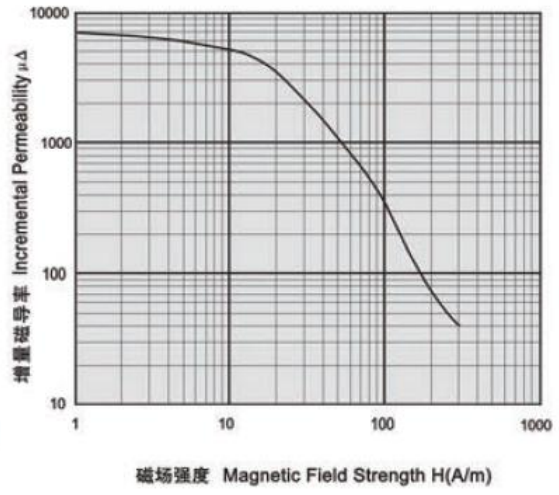
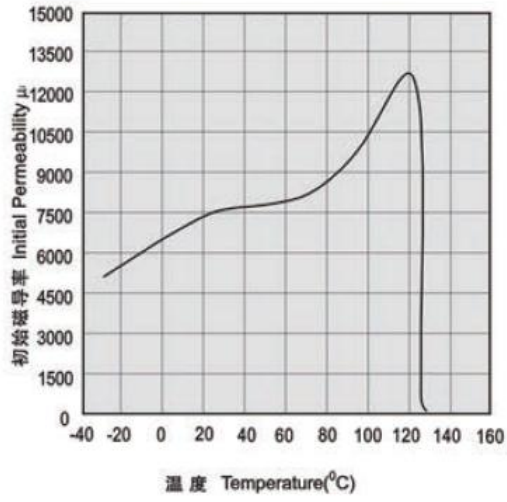


# YR46

材料: YR46  
特点: 高磁导率(约 7000)  
低比损耗因子  
频率特性优良

Material: YR46  
Features: High initial permeability(about 7000)  
Low relative loss factor  
The initial permeability vs frequency Characteristic is good

材质 Material	YR46		
初始磁导率 Initial permeability	$\mu_i$	7000±25%	
比损耗系数 Relative loss factor	$\tan\delta/\mu_i$	$\times 10^{-6}$	<30 (100kHz)
饱和磁通密度 Saturation magnetic flux density (H=1194A/m)	$B_s$	mT	420
剩余磁通密度 Remanent flux density	$B_r$	mT	110
矫顽力 Coercive force	$H_c$	A/m	7
比温度系数 Relative temperature coefficient (20~60°C)	$\alpha_{\mu r}$	$\times 10^{-6}/^\circ\text{C}$	-0.5~2.0
比磁滞损耗系数 Hysteresis material constant 25°C,10kHz,1.5~3mT	$\eta_B$	$\times 10^{-6}/\text{mT}$	<1.2
居里温度 Curie temperature	$T_c$	°C	>125
电阻率 Electrical resistivity	$\rho$	$\Omega\cdot\text{m}$	0.2
密度 Density	$d$	$\text{g}/\text{cm}^3$	4.9

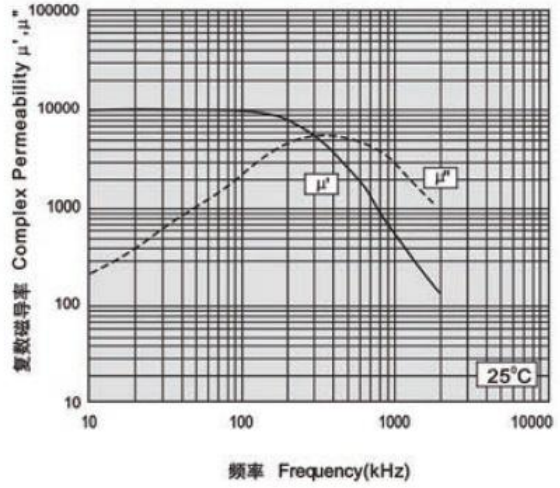
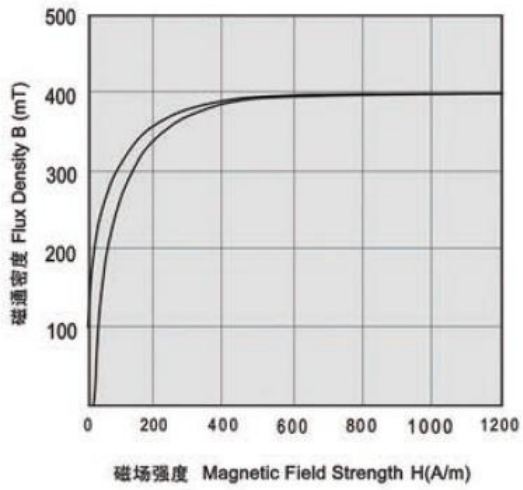
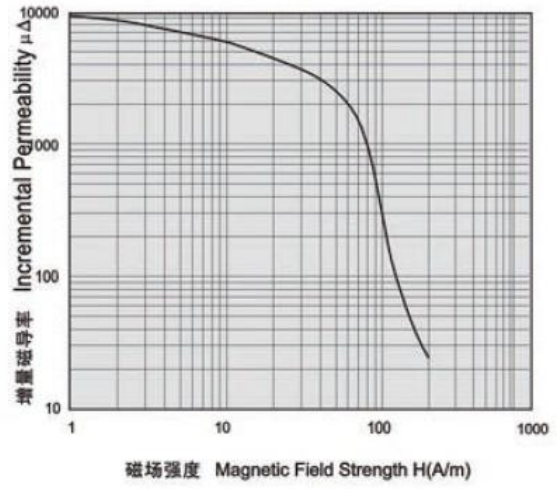
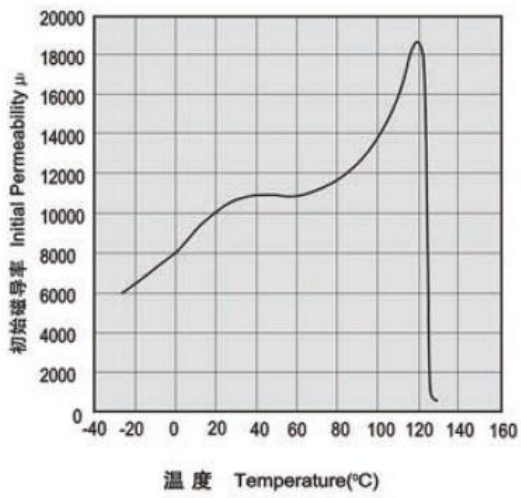


# YR56

材料: YR56  
 特点: 高磁导率(约 10000)  
 低比损耗因子  
 频率特性优良

Material: YR56  
 Features: High initial permeability(about10000)  
 Low relative loss factor  
 The initial permeability vs frequency Characteristic is good

材质 Material	YR56		
初始磁导率 Initial permeability	$\mu_i$	10000±30%	
比损耗系数 Relative loss factor	$\tan\delta/\mu_i$	$\times 10^{-6}$	<7.0 (10kHz)
饱和磁通密度 Saturation magnetic flux density (H=1194A/m)	$B_s$	mT	400
剩余磁通密度 Remanent flux density	$B_r$	mT	100
矫顽力 Coercive force	$H_c$	A/m	6.5
比温度系数 Relative temperature coefficient (20~60°C)	$\alpha_{\mu r}$	$\times 10^{-6}/^\circ\text{C}$	-0.5~2.0
比磁滞损耗系数 Hysteresis material constant 25°C,10kHz,1.5~3mT	$\eta_B$	$\times 10^{-6}/\text{mT}$	<1.4
居里温度 Curie temperature	$T_c$	°C	>120
电阻率 Electrical resistivity	$\rho$	$\Omega\cdot\text{m}$	0.15
密度 Density	d	$\text{g}/\text{cm}^3$	4.9

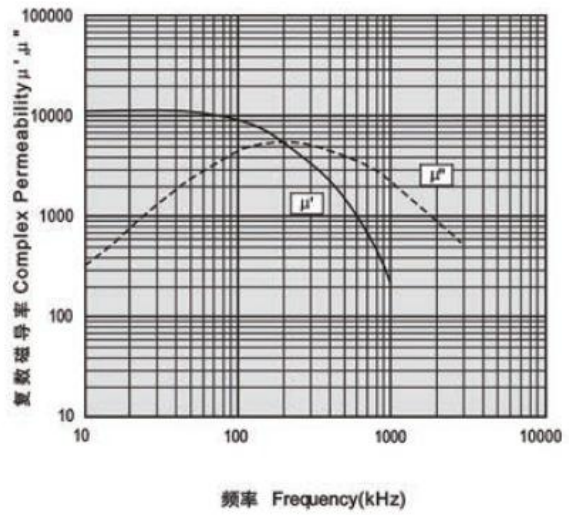
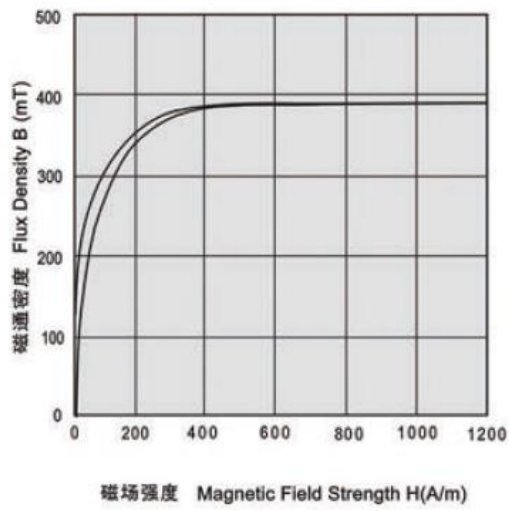
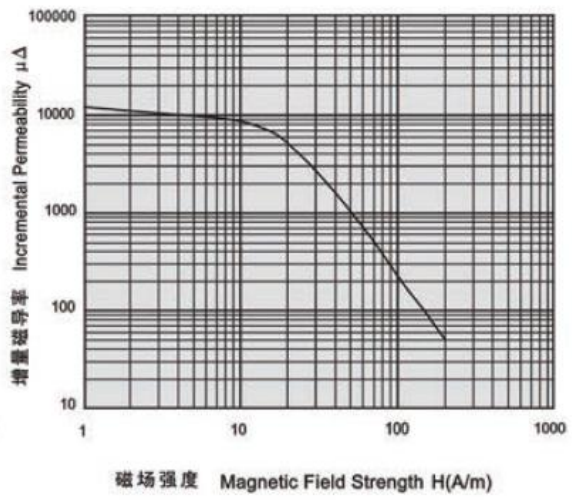
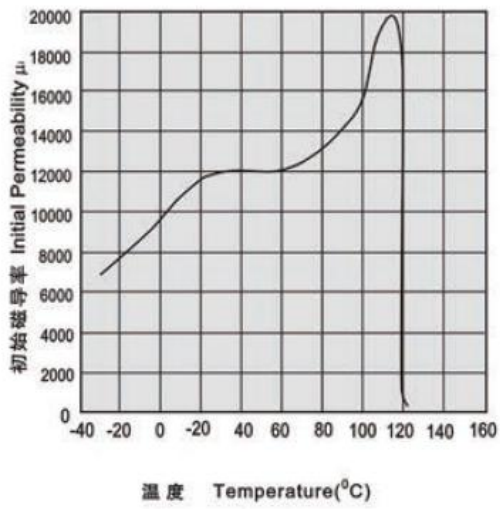


# YR66

材料: YR66  
特点: 高磁导率(约 12000)

Material: YR66  
Features: High initial permeability(about 12000)

材质 Material			YR66
初始磁导率 Initial permeability	$\mu_i$		12000±30%
比损耗系数 Relative loss factor	$\tan\delta/\mu_i$	$\times 10^{-6}$	<7.0 (10kHz)
饱和磁通密度 Saturation magnetic flux density (H=1194A/m)	Bs	mT	380
剩余磁通密度 Remanent flux density	Br	mT	100
矫顽力 Coercive force	Hc	A/m	6
比温度系数 Relative temperature coefficient (20~60°C)	$\alpha_{\mu r}$	$\times 10^{-6}/^\circ\text{C}$	-0.5~2.0
比磁滞损耗系数 Hysteresis material constant 25°C, 10kHz, 1.5~3mT	$\eta_B$	$\times 10^{-6}/\text{mT}$	<1.5
居里温度 Curie temperature	Tc	°C	>110
电阻率 Electrical resistivity	$\rho$	$\Omega \cdot \text{m}$	0.15
密度 Density	d	$\text{g}/\text{cm}^3$	4.9

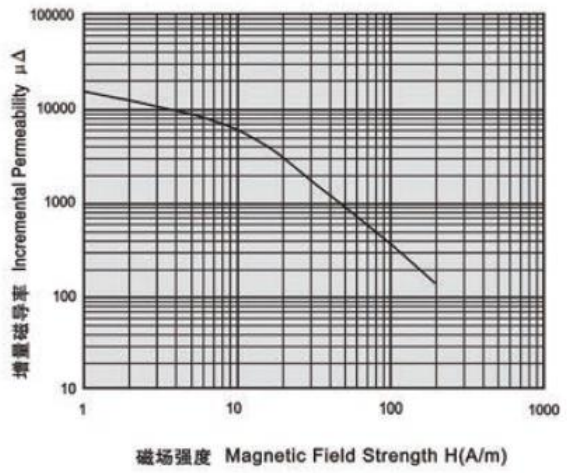
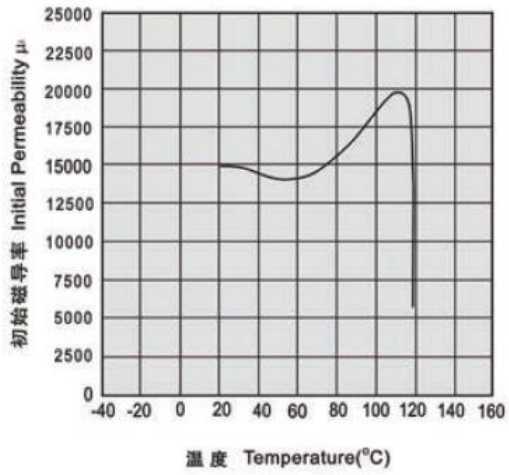
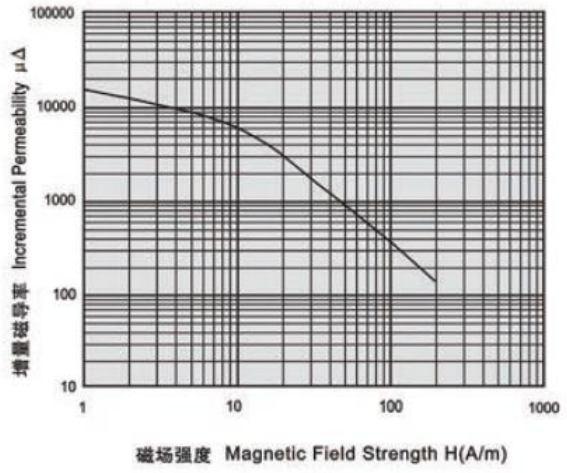
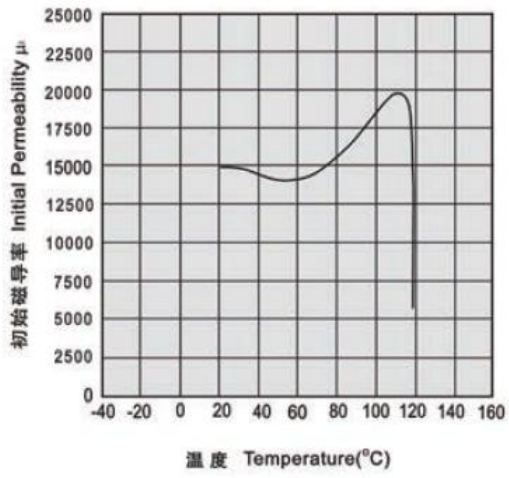


# YR76

材料: YR76  
特点: 高磁导率(约 15000)

Material: YR76  
Features: High initial permeability(about 15000)

材质 Material	YR76		
初始磁导率 Initial permeability	$\mu_i$		15000±30%
比损耗系数 Relative loss factor	$\tan\delta/\mu_i$	$\times 10^{-6}$	<7.0 (10kHz)
饱和磁通密度 Saturation magnetic flux density (H=1194A/m)	$B_s$	mT	360
剩余磁通密度 Remanent flux density	$B_r$	mT	100
矫顽力 Coercive force	$H_c$	A/m	3.2
比温度系数 Relative temperature coefficient (20~60°C)	$\alpha_{\mu r}$	$\times 10^{-6}/^\circ\text{C}$	-0.5~2.0
比磁滞损耗系数 Hysteresis material constant 25°C,10kHz,1.5~3mT	$\eta_B$	$\times 10^{-6}/\text{mT}$	<2.0
居里温度 Curie temperature	$T_c$	°C	>110
电阻率 Electrical resistivity	$\rho$	$\Omega \cdot \text{m}$	0.05
密度 Density	$d$	$\text{g}/\text{cm}^3$	4.9



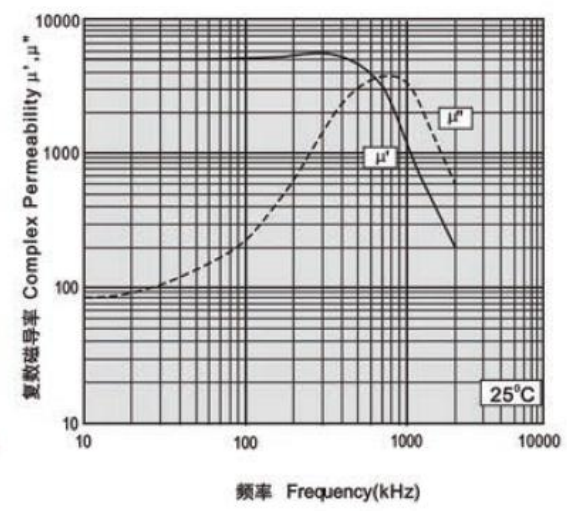
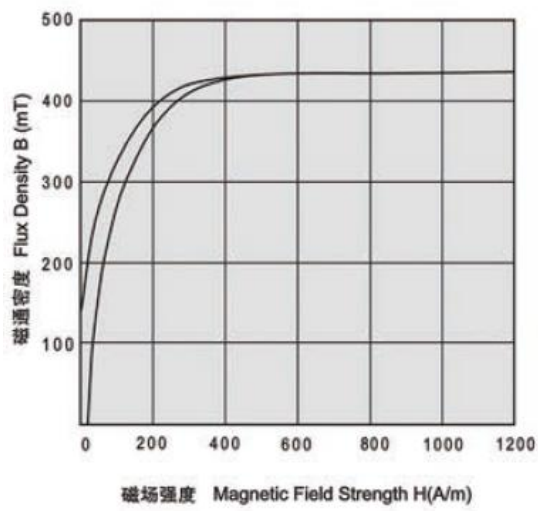
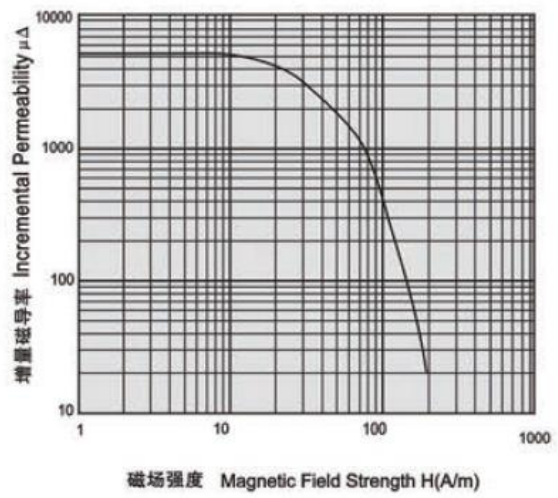
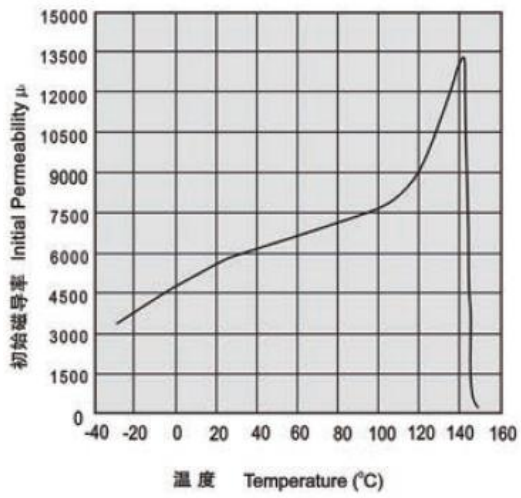


# YR36

材料: YR36  
 特点: 高磁导率(约 5000)  
 低比损耗因子  
 频率特性优良

Material: YR36  
 Features: High initial permeability(about 5000)  
 Low relative loss factor  
 The initial permeability vs frequency Characteristic is good

材质 Material	YR36		
初始磁导率 Initial permeability	$\mu_i$	5000±25%	
比损耗系数 Relative loss factor	$\tan\delta/\mu_i$	$\times 10^{-6}$	<15 (100kHz)
饱和磁通密度 Saturation magnetic flux density (H=1194A/m)	$B_s$	mT	430
剩余磁通密度 Remanent flux density	$B_r$	mT	140
矫顽力 Coercive force	$H_c$	A/m	8
比温度系数 Relative temperature coefficient (20~60°C)	$\alpha_{\mu r}$	$\times 10^{-6}/^\circ\text{C}$	-0.5~2.0
比磁滞损耗系数 Hysteresis material constant 25°C,10kHz,1.5~3mT	$\eta_B$	$\times 10^{-6}/\text{mT}$	<1
居里温度 Curie temperature	$T_c$	°C	>140
电阻率 Electrical resistivity	$\rho$	$\Omega \cdot \text{m}$	0.5
密度 Density	$d$	$\text{g}/\text{cm}^3$	4.85

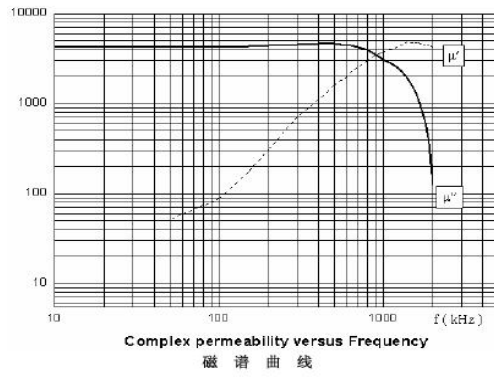
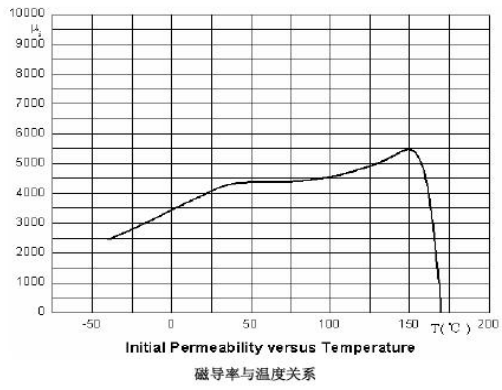


# YR36DC

材料: YR36DC  
特点: 低比损耗因子  
低磁滞损耗系数

Material: YR36DC  
Features: Low relative loss factor  
Low hysteresis material constant

材质 Material				YR36DC
初始磁导率 Initial permeability	$\mu_i$			4000±25%
比损耗系数 Relative loss factor	$\tan\delta/\mu_i$	$\times 10^{-6}$		<3.5 (10kHz)
饱和磁通密度 Saturation magnetic flux density (H=1194A/m)	$B_s$	mT		450
剩余磁通密度 Remanent flux density	$B_r$	mT		
矫顽力 Coercive force	$H_c$	A/m		6.5
比温度系数 Relative temperature coefficient (20~60°C)	$\alpha_{\mu r}$	$\times 10^{-6}/^\circ\text{C}$		
比磁滞损耗系数 Hysteresis material constant 25°C, 10kHz, 1.5~3mT	$\eta_B$	$\times 10^{-6}/\text{mT}$		<0.8
居里温度 Curie temperature	$T_c$	°C		>150
电阻率 Electrical resistivity	$\rho$	$\Omega\cdot\text{m}$		0.65
密度 Density	$d$	$\text{g}/\text{cm}^3$		4.85



# YR36B

材料: YR36B  
特点: 高磁导率(约 4500)  
高饱和磁通密度  
低比损耗因子

Material: YR36B  
Features: High initial permeability(about 4500)  
High saturation magnetic flux density  
Low relative loss factor

材质 Material	YR36B		
初始磁导率 Initial permeability	$\mu_i$		4500±25%
比损耗系数 Relative loss factor	$\tan\delta/\mu_i$	$\times 10^{-6}$	<10 (10kHz)
饱和磁通密度 Saturation magnetic flux density (H=1194A/m)	$B_s$	mT	500 (25°C) 360 (100°C)
剩余磁通密度 Remanent flux density	$B_r$	mT	120
矫顽力 Coercive force	$H_c$	A/m	11
比温度系数 Relative temperature coefficient (20~60°C)	$\alpha_{\mu r}$	$\times 10^{-6}/^\circ\text{C}$	0~1.5
比磁滞损耗系数 Hysteresis material constant 25°C,10kHz,1.5~3mT	$\eta_B$	$\times 10^{-6}/\text{mT}$	
居里温度 Curie temperature	$T_c$	°C	>190
电阻率 Electrical resistivity	$\rho$	$\Omega\cdot\text{m}$	0.3
密度 Density	$d$	$\text{g}/\text{cm}^3$	4.9

